



M12 X-coded 10G transformer receptacles



GENERAL INFORMATION

No. of contacts	8 poles
Contact resistance	< 5 mOhm
Working temperature range	-40°C - +85°C
Termination technology	SMT
Reflow processing temperature	245°C Max.
Total insertion force	30N Max. according to IEC 61076-2-109
Total withdrawal force	30N Max. according to IEC 61076-2-109
Mating cycles	100 mating cycles, according to IEC 61076-2-109
Shock and vibration proof	according to IEC 61076-2-109
RoHS - compliant	Yes
Lead free	Yes
PSL level acc. ECA/IPC/JEDEC J-STD-075	R7

INSULATION MATERIAL

Material	LCP (liquid crystalline polymer)
Color	Black
UL classification	UL94-V0
Material group acc. IEC 60664-1	IIIa (175 ≤ CTI < 400)

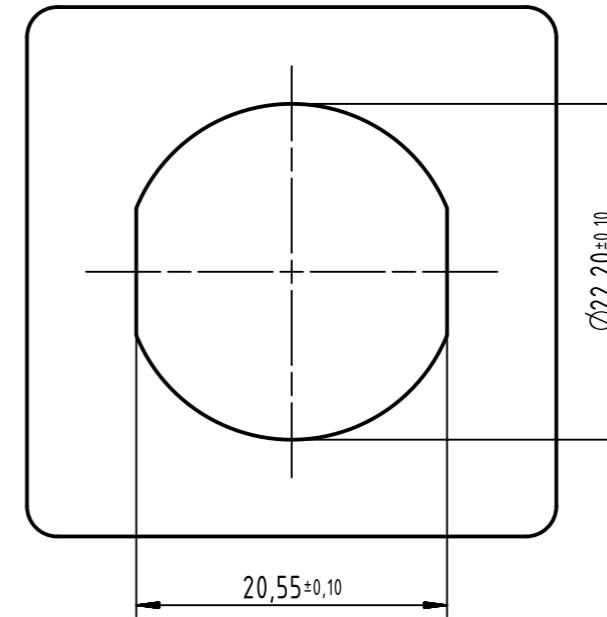
CONTACT MATERIAL

Contact material	Copper alloy
Plating termination zone	Tin
Plating contact sliding side	Gold

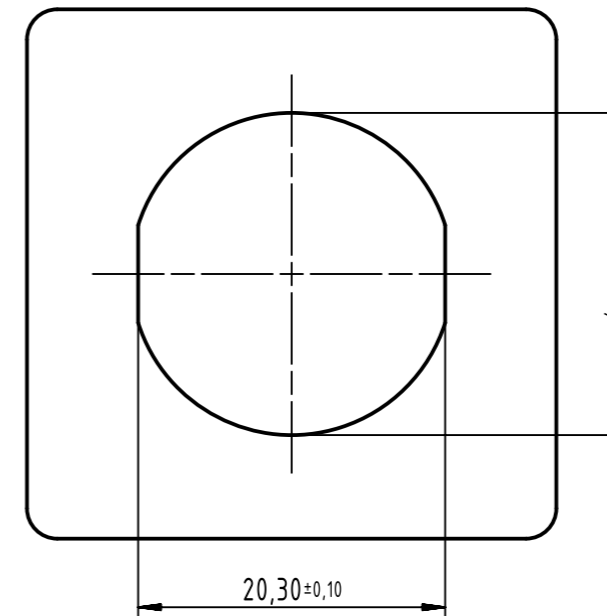
SHIELDING MATERIAL

Shielding material	Copper alloy
Plating	Tin

Recommended Panel cut out



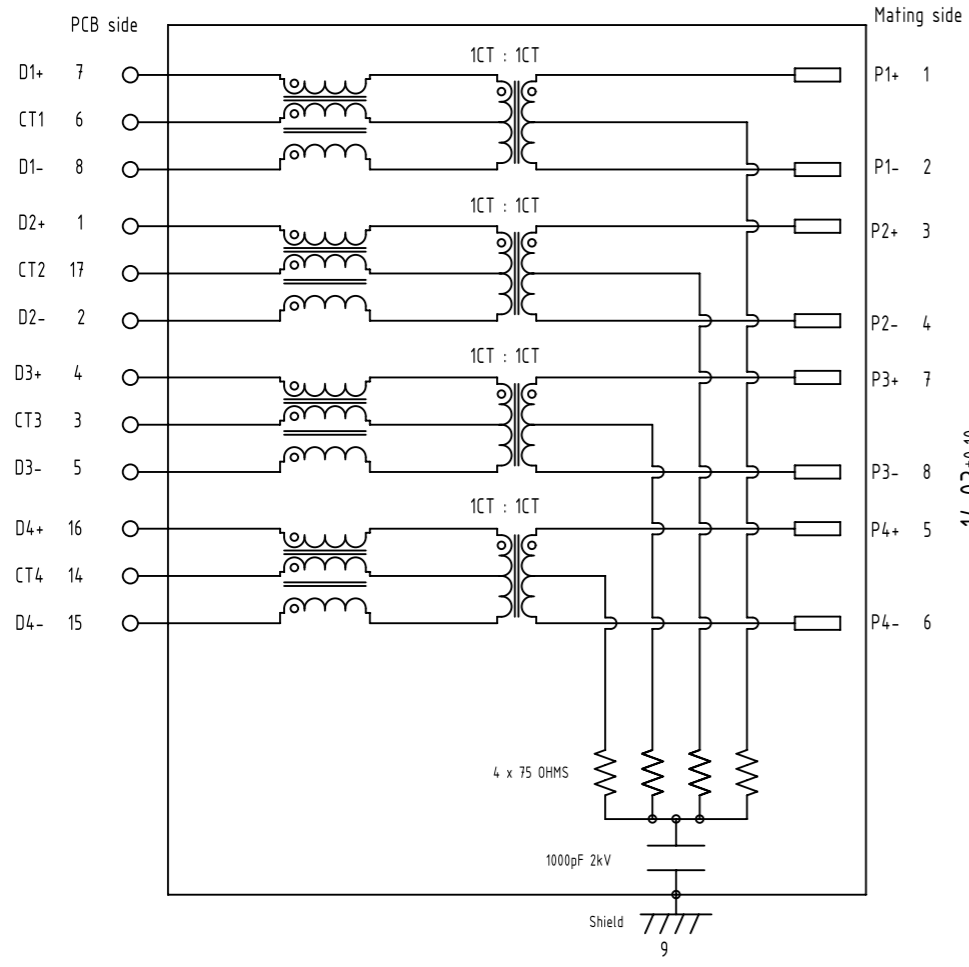
Front mounting use
Detail see drawing 21033012006



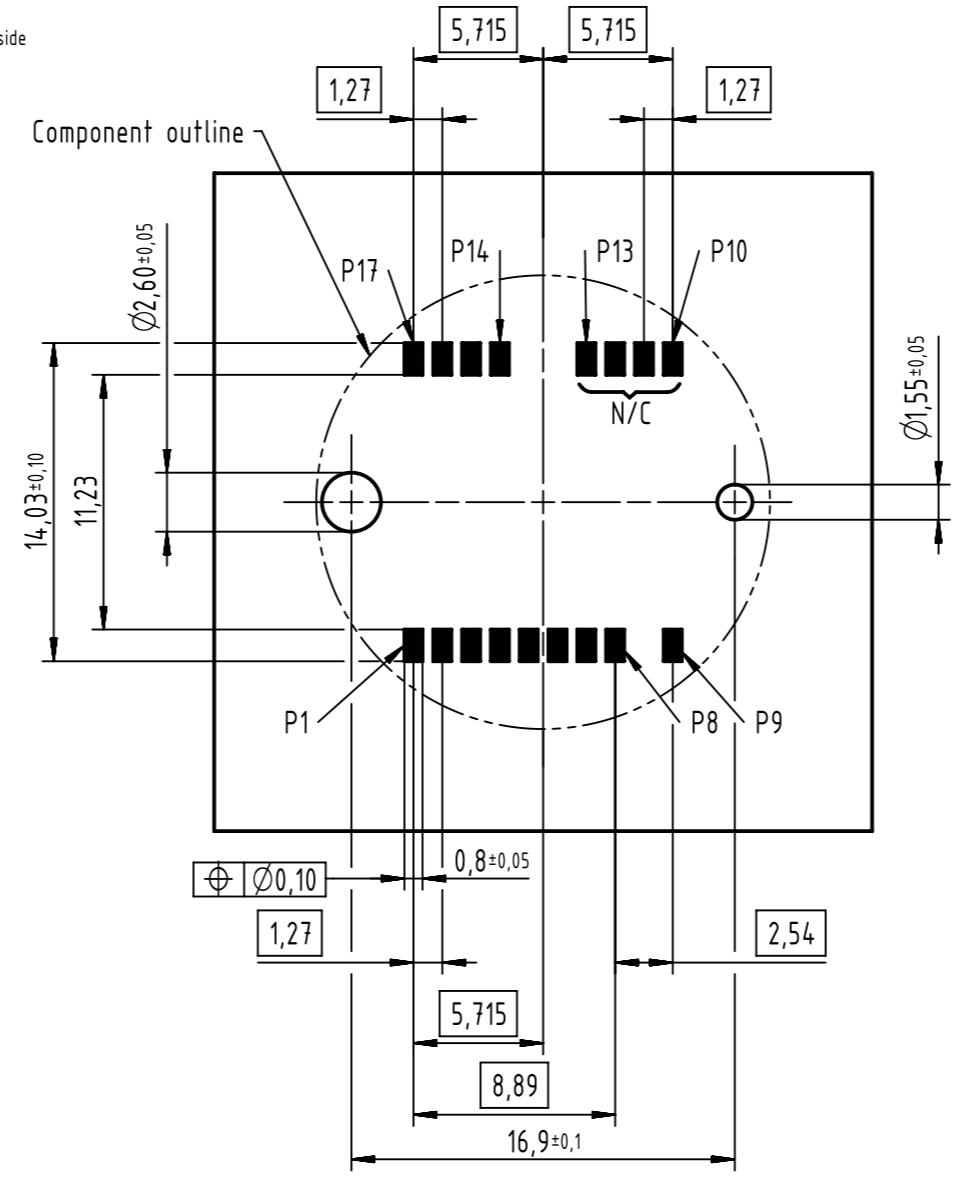
Rear mounting use
Detail see drawing 21033012007

	All rights reserved	Created by	Inspected by	Standardisation	Date	State	Doc-Key / ECM-Nr. 100723702/UGD/001/B 500000119897
	Department EC PD - CN	CHENSK	CHENSK	HOFFMANN	2017-06-02	Final Release	
HARTING Electronics GmbH D-32339 Espelkamp		Title		M12 transformer receptacles X-coded 10G straight, SMT		Rev. B	
		Type	Number		DS		21033810103
						Page 1/4	

Schematic



Recommended PCB layout



Electrical Characteristics @+25°C unless otherwise noted
 Meets IEEE802.3 specification
 RoHS compliant

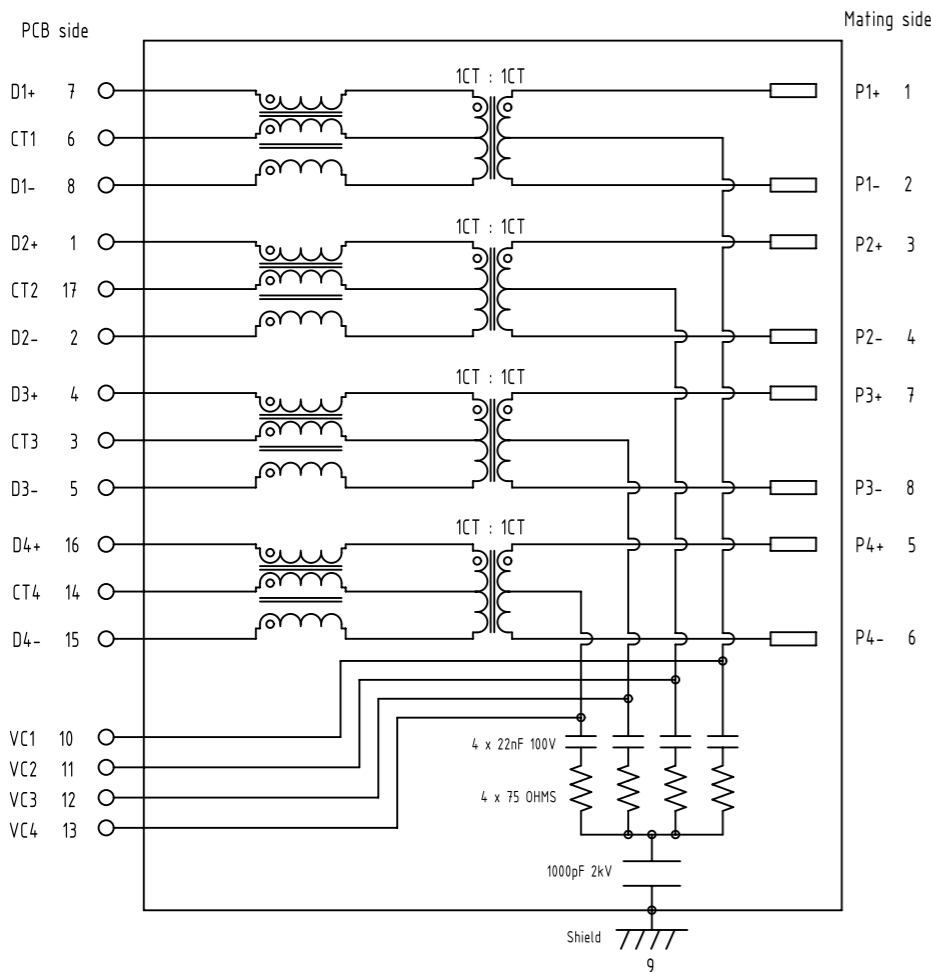
Parameter	Specification/ Limit Values		
Turn Ratio (+/- 2%)	1CT : 1CT		
Working voltage	57V		
OCL	min 120µH @ 100KHz , 100mV with 18mA bias current		
Isolation (Input- Output)	1.5kV VAC RMS , for 60sec. min		
Insertion Loss	$f \leq 0.3\text{MHz}$	$0.3\text{MHz} < f \leq 100\text{MHz}$	
	-3dB max	$-0.7-0.001*f^{1.25}$	
Return Loss	$f \leq 40\text{MHz}$	$40\text{MHz} < f \leq 350\text{MHz}$	$350\text{MHz} < f \leq 500\text{MHz}$
	-17dB min	$-17+10*\log(f/40)$	$-5+15*\log(f/490)$
Crosstalk	$f \leq 20\text{MHz}$	$20\text{MHz} < f \leq 500\text{MHz}$	
	-45dB min	$-45+15*\log(f/20)$	
CMRR	$f \leq 20\text{MHz}$	$20\text{MHz} < f \leq 500\text{MHz}$	
	-31dB min	$-31+8*\log(f/20)$	
CDMR	$f \leq 20\text{MHz}$	$20\text{MHz} < f \leq 500\text{MHz}$	
	-42dB min	$-42+14*\log(f/20)$	

NOTE: f is the frequency in MHz

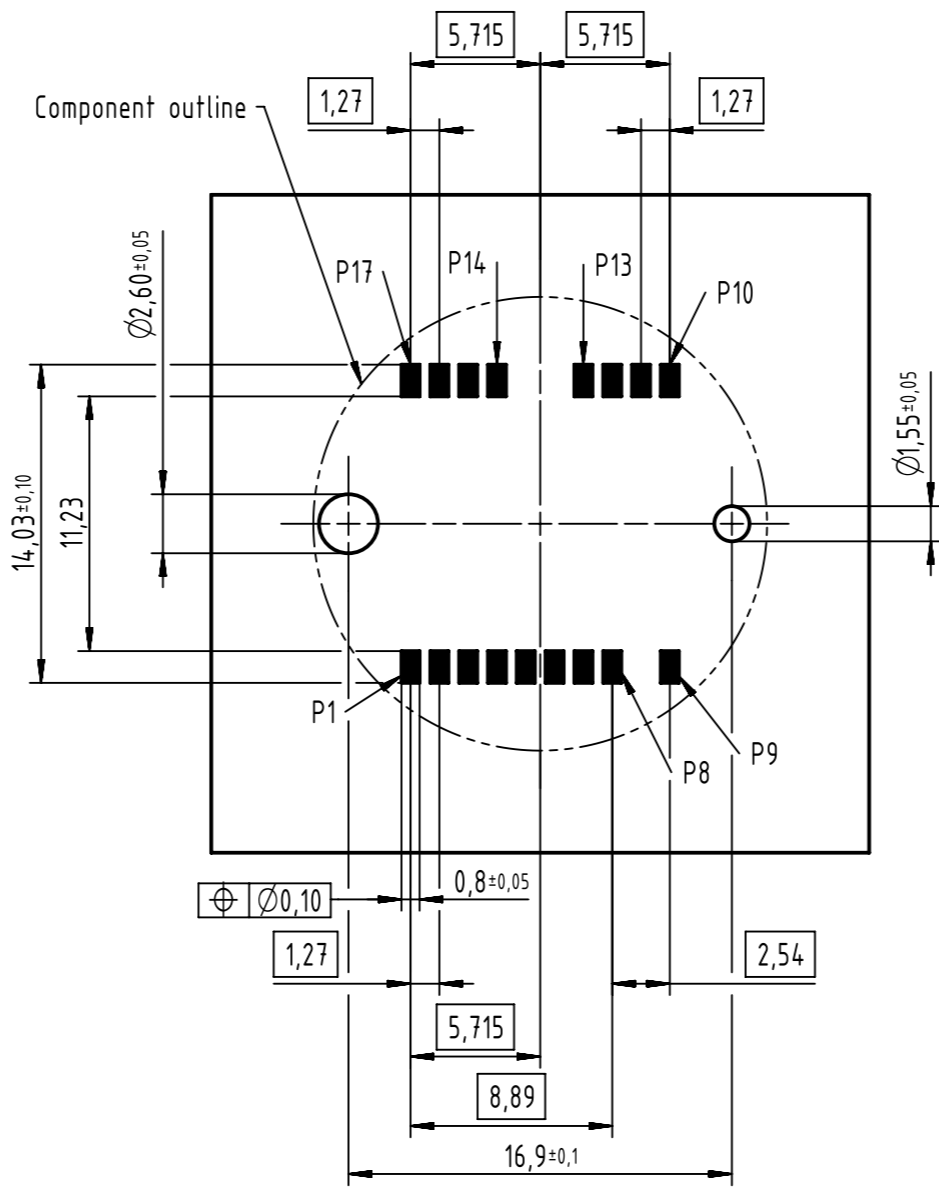
For X-coded 10G without PoE version only
 N/C: leave pins open,not connect to GND or VCC

	All rights reserved	Created by	Inspected by	Standardisation	Date	State
	Department EC PD - CN	CHENSK	CHENSK	HOFFMANN	2017-06-02	Final Release
HARTING Electronics GmbH D-32339 Espelkamp		Title M12 transformer receptacles X-coded 10G straight,SMT			Doc-Key / ECM-Nr. 100723702/UGD/001/B 500000119897	
		Type DS	Number 21033810103		Rev. B	Page 2/4

Schematic



Recommended PCB layout



Electrical Characteristics @+25°C unless otherwise noted
 Meets IEEE802.3 specification
 RoHS compliant

Parameter	Specification/ Limit Values	
Turn Ratio (+/- 2%)	1CT : 1CT	
Working voltage	57V	
Current Capacity Pins 1-8/ VC1-VC4	750mA	
OCL	min 120µH @ 100KHz , 100mV with 18mA bias current	
Isolation (Input- Output)	1.5kV VAC RMS , for 60sec. min	
Insertion Loss	$f \leq 0.3\text{MHz}$	$0.3\text{MHz} < f \leq 500\text{MHz}$
	-3dB max	$-0.7-0.001*f^{1.25}$
Return Loss	$f \leq 40\text{MHz}$	$40\text{MHz} < f \leq 350\text{MHz}$ $350\text{MHz} < f \leq 500\text{MHz}$
	-17dB min	$-17+10*\log(f/40)$ $-5+15*\log(f/490)$
Crosstalk	$f \leq 20\text{MHz}$	$20\text{MHz} < f \leq 500\text{MHz}$
	-45dB min	$-45+15*\log(f/20)$
CMRR	$f \leq 20\text{MHz}$	$20\text{MHz} < f \leq 500\text{MHz}$
	-31dB min	$-31+8*\log(f/20)$
CDMR	$f \leq 20\text{MHz}$	$20\text{MHz} < f \leq 500\text{MHz}$
	-42dB min	$-42+14*\log(f/20)$

NOTE: f is the frequency in MHz

For X-coded 10G with PoE+ version only

	All rights reserved Department EC PD - CN	All Dimensions in mm Original Size DIN A3	Scale 2:1	Free size tol.	Ref. Sub.
	HARTING Electronics GmbH D-32339 Espelkamp	Created by CHENSK	Inspected by CHENSK	Standardisation HOFFMANN	Date 2017-06-02
Title M12 transformer receptacles X-coded 10G straight,SMT Type DS Number 21033810103					State Final Release Doc-Key / ECM-Nr. 100723702/UGD/001/B 500000119897 Rev. B Page 3/4

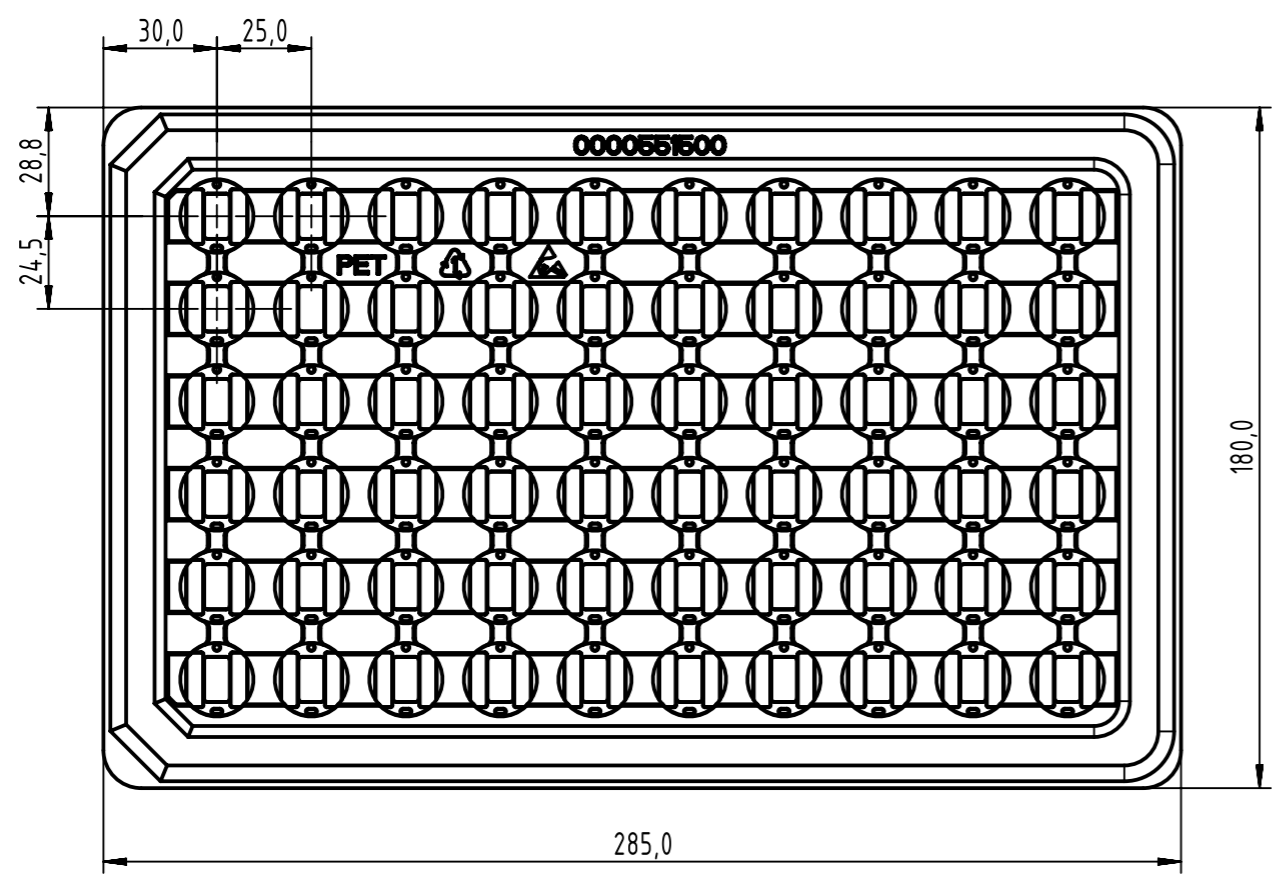
TAPE LAYOUT & PACKAGING

RECOMMENDATION FOR SOLDER PROCESSING

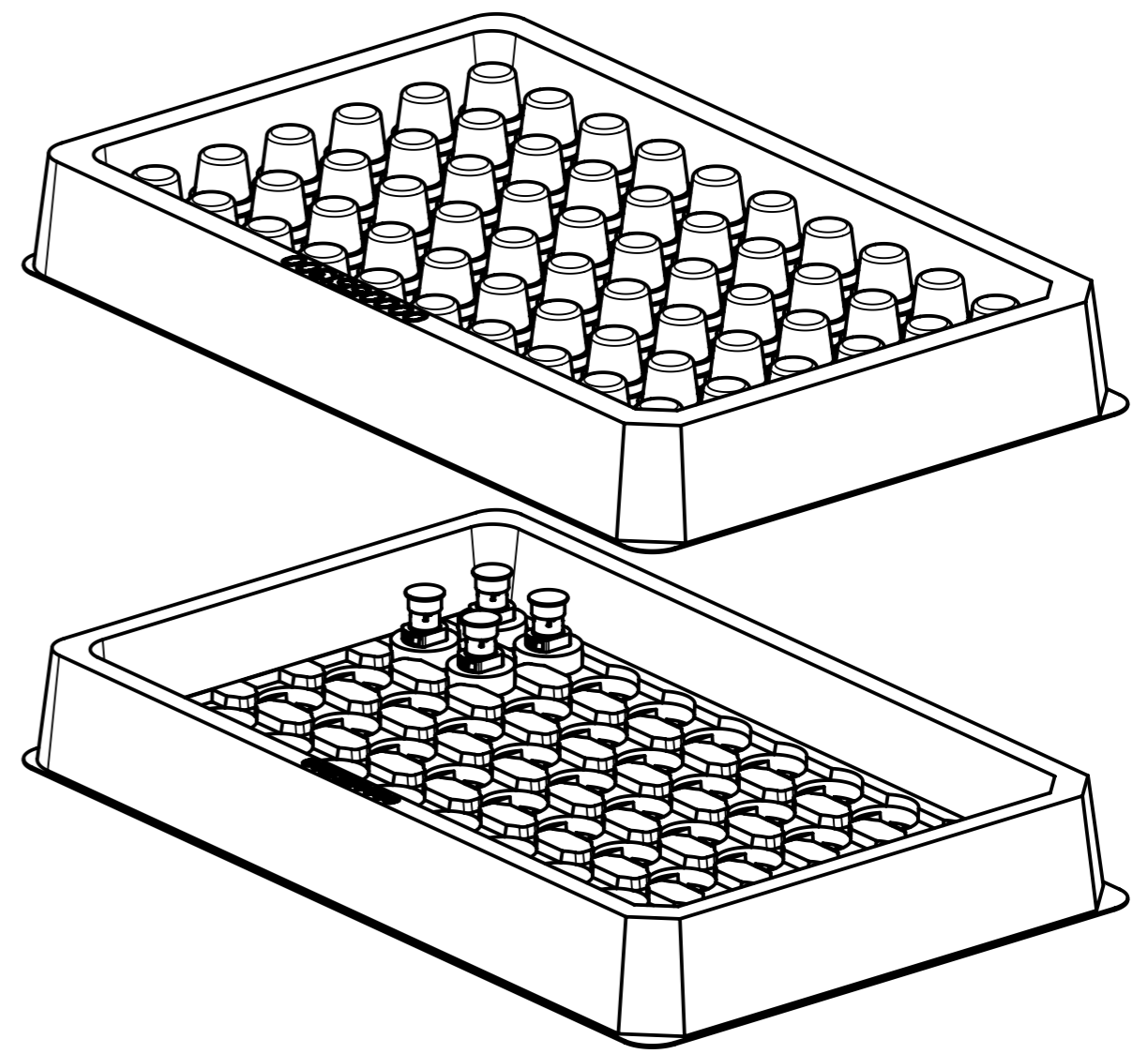
- 1. Solder paste recommendation
The M12 transformer receptacles connector are solderable with established lead free SAC/SnNi solder but also leaded solder
- 2. PCB pad plating
The M12 transformer receptacles connector are solderable on lead-free pad surfaces like HAL,NiAu,Immersion Sn.
- 3. Stencil recommendation
The size of the solder stencil apertures is depending on the thickness of the stencil.
In general, the thinner stencils will need larger apertures to result in the required volume of solder paste.
The minimum required solder paste volume for the signal pins is 0,114mm³,For example, this can be achieved with the following stencil data :

Single pin			
Stencil thickness	PCB pad size	proposal stencil aperture size	calculated solder paste volume
120 µm	1,4 x 0,8 mm	1,32 x 0,72 mm	0,114 mm ³

HARD TRAY LAYOUT & PACKAGING



APPLICATION INFORMATION



	All rights reserved Department EC PD - CN HARTING Electronics GmbH D-32339 Espelkamp	All Dimensions in mm Original Size DIN A3	Scale 1:1	Free size tol.	Ref. Sub.
		Created by CHENSK	Inspected by CHENSK	Standardisation HOFFMANN	Date 2017-06-02
Title M12 transformer receptacles X-coded 10G straight,SMT					Doc-Key / ECM-Nr. 100723702/UGD/001/B 500000119897
		Type DS	Number 21033810103		Rev. B
					Page 4/4