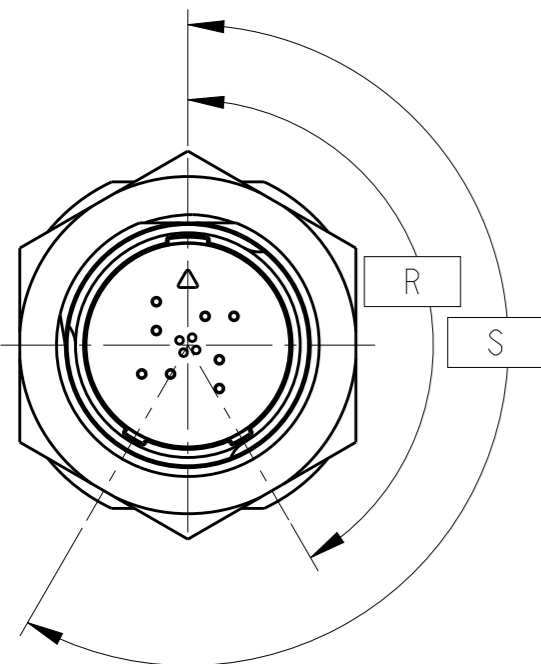
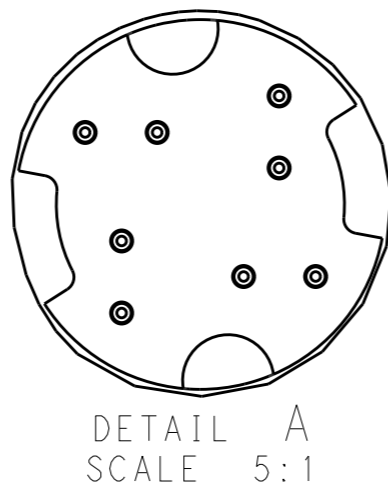
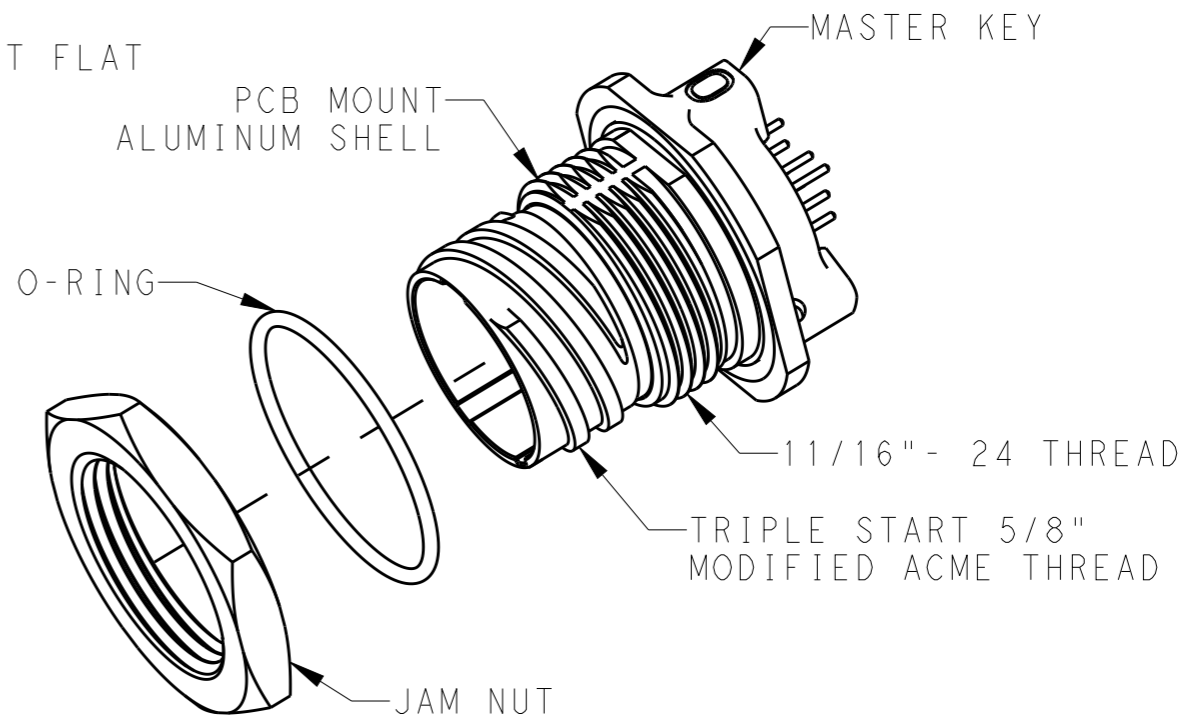
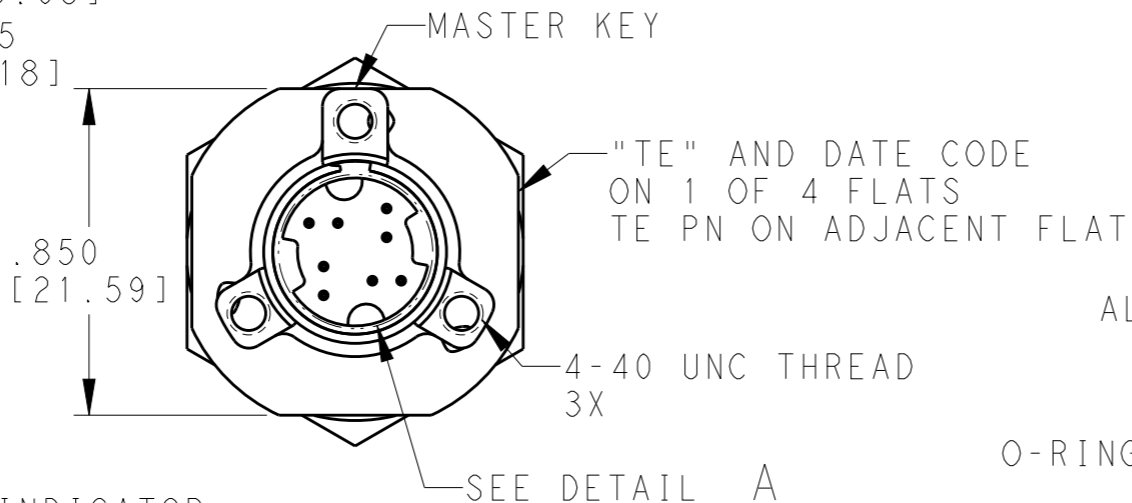
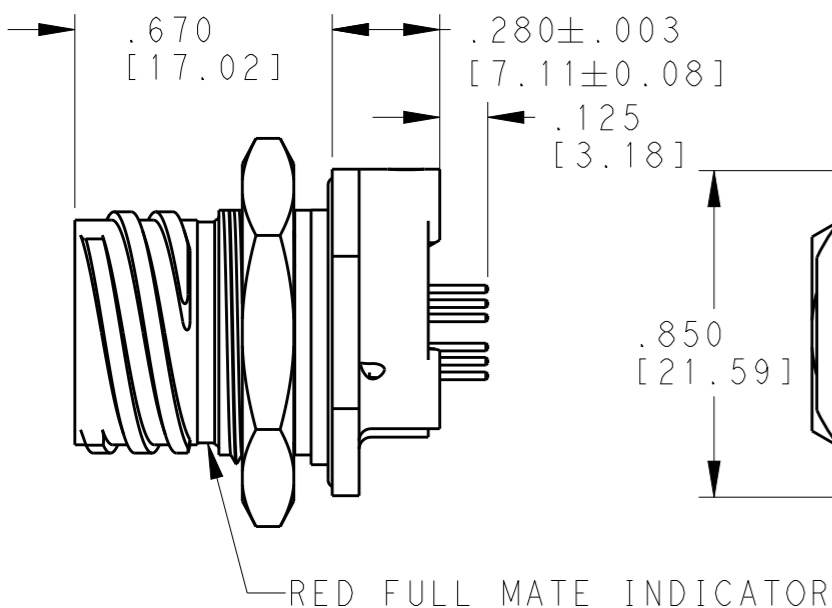


THIS DRAWING IS UNPUBLISHED. RELEASED FOR PUBLICATION. ALL RIGHTS RESERVED.

LOC	DIST	REVISIONS			
P	LTR	DESCRIPTION	DATE	DWN	APVD
	D	REV PER ECO 13-001557	12FEB2013	CT	DM
	E	REV PER ECO-15-013009	04DEC15	RS	CT



- 1, -3 AND -5 ARE ELECTROLESS NICKEL PLATE PER MIL-C-26074
- 2, -4 AND -6 ARE BLACK ZINC NICKEL PER AMS-2417.

1	-	1	B	BLACK ZINC NICKEL PLATE	2102351-6
-	1	1	B	NICKEL PLATE	2102351-5
1	-	1	A	BLACK ZINC NICKEL PLATE	2102351-4
-	1	1	A	NICKEL PLATE	2102351-3
1	-	1	NORMAL	BLACK ZINC NICKEL PLATE	2102351-2
-	1	1	NORMAL	NICKEL PLATE	2102351-1
JAM NUT BLACK ZINC NICKEL PLATE		JAM NUT NICKEL PLATE	O-RING FLUOROSILICONE	KEYING OPTION	FINISH
					PART NUMBER

KEY OPTIONS	KEY ROTATION	
	"R"	"S"
NORMAL	150°	210°
A	140°	215°
B	132°	248°

THIS DRAWING IS A CONTROLLED DOCUMENT.

DWN 04OCT2011 MCKIBBEN, JOHN
CHK 04OCT2011 DOWHOWER, KENNETH
APVD 04OCT2011 DOWHOWER, KENNETH

NAME PCB MOUNT KIT

PRODUCT SPEC 108-2482
APPLICATION SPEC 114-32025
WEIGHT -

CUSTOMER DRAWING

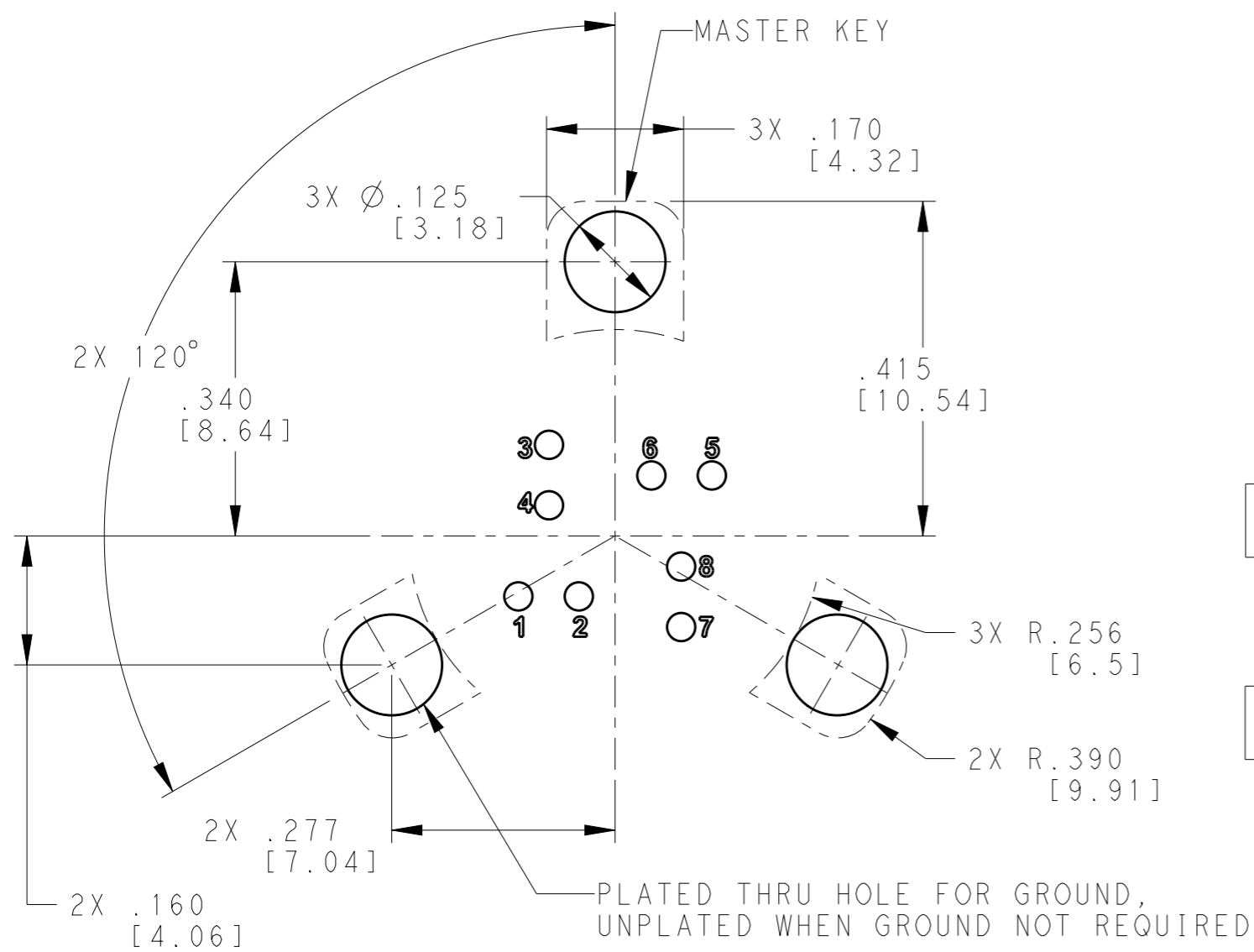
SCALE 2:1 SHEET 1 OF 2 REV F

SIZE A3 CAGE CODE 00779 DRAWING NO. C-2102351 RESTRICTED TO -

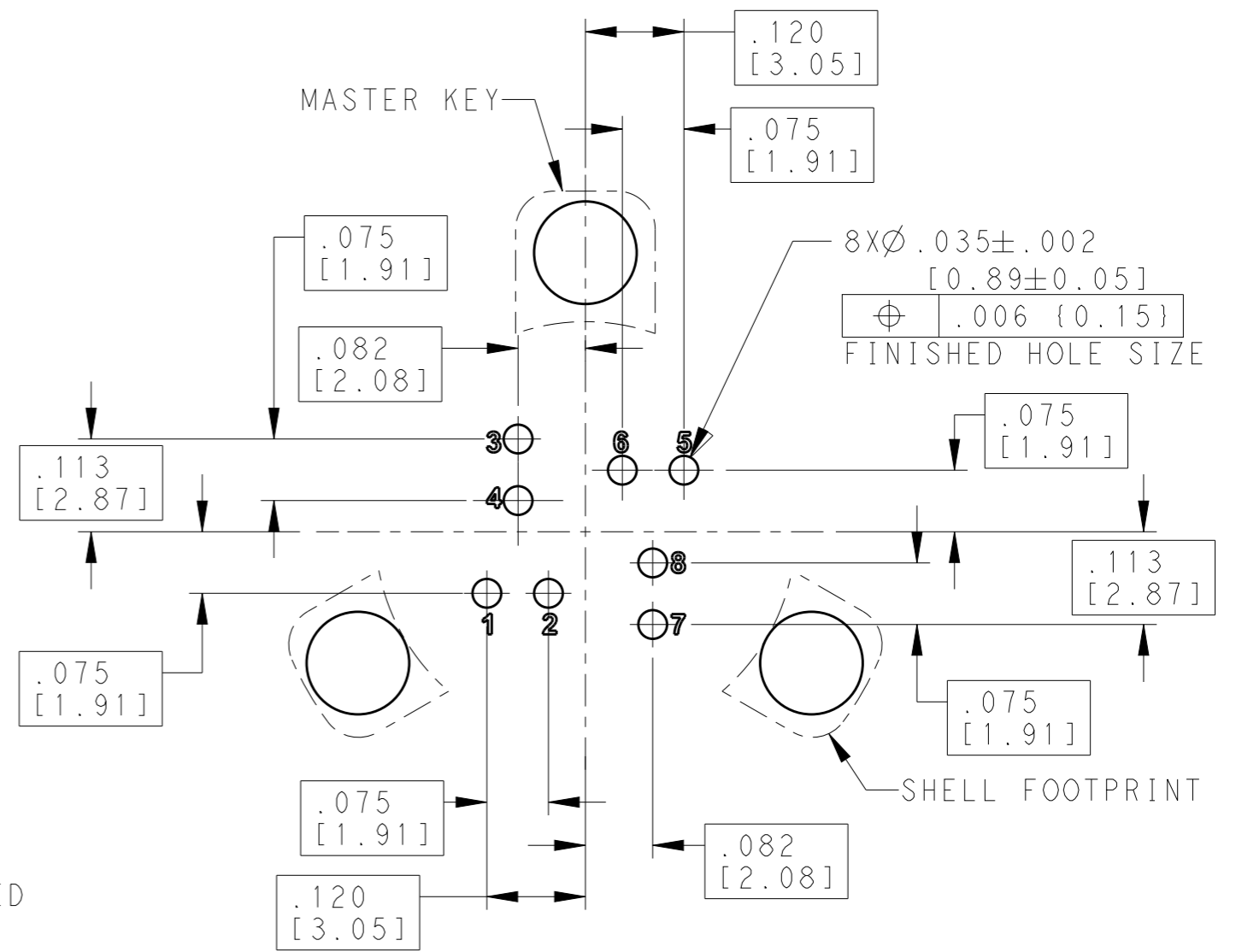
THIS DRAWING IS UNPUBLISHED. RELEASED FOR PUBLICATION 20
 © COPYRIGHT 20 BY - ALL RIGHTS RESERVED.

LOC		DIST		REVISIONS			
P	LTR	DESCRIPTION	DATE	DWN	APVD		
-	-	SEE SHEET 1	-	-	-		

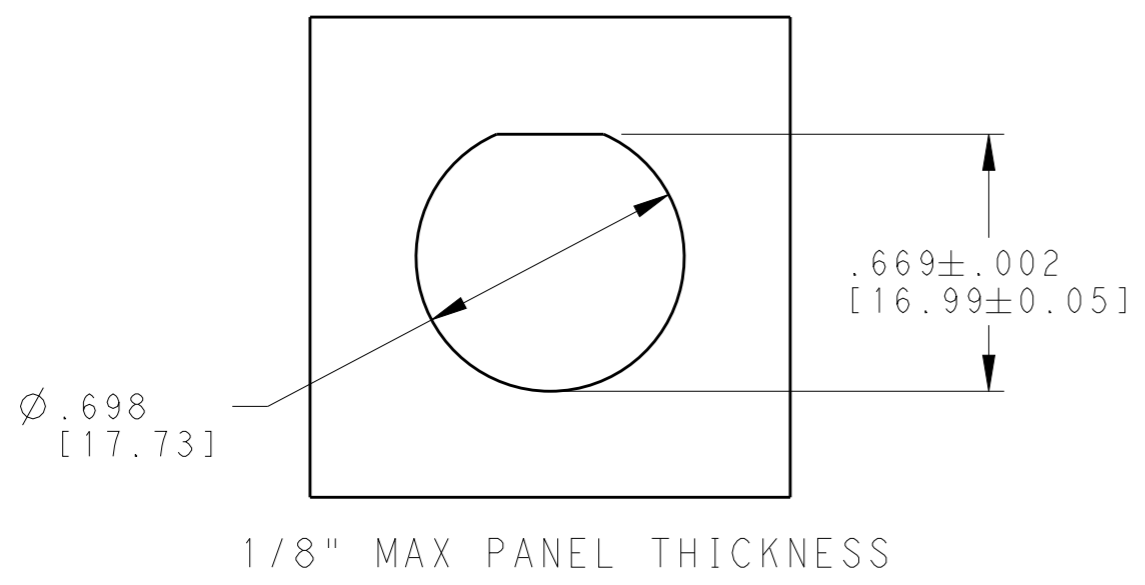
RECOMMENDED BOARD LAYOUT MOUNTING HOLE INFORMATION




SOLDER TAIL HOLE INFORMATION



PC BOARD TOP VIEW



THIS DRAWING IS A CONTROLLED DOCUMENT.		DWN	04OCT2011	 TE Connectivity	NAME	PCB MOUNT KIT																			
DIMENSIONS: INCHES [mm]		CHK	04OCT2011			PRODUCT SPEC	108-2482																		
TOLERANCES UNLESS OTHERWISE SPECIFIED:		APVD	04OCT2011				APPLICATION SPEC	114-32025																	
<table border="0"> <tr><td>0 PLC</td><td>±-</td></tr> <tr><td>1 PLC</td><td>±</td></tr> <tr><td>2 PLC</td><td>±</td></tr> <tr><td>3 PLC</td><td>±.005 [0.13]</td></tr> <tr><td>4 PLC</td><td>±</td></tr> <tr><td>ANGLES</td><td>±-</td></tr> </table>		0 PLC	±-			1 PLC		±	2 PLC	±	3 PLC	±.005 [0.13]	4 PLC	±	ANGLES	±-	MATERIAL	-	WEIGHT	-	SIZE	A3	CAGE CODE	00779	DRAWING NO
0 PLC	±-																								
1 PLC	±																								
2 PLC	±																								
3 PLC	±.005 [0.13]																								
4 PLC	±																								
ANGLES	±-																								
MATERIAL		FINISH		CUSTOMER DRAWING		SCALE	5:1	SHEET	2	OF	2	REV	F												