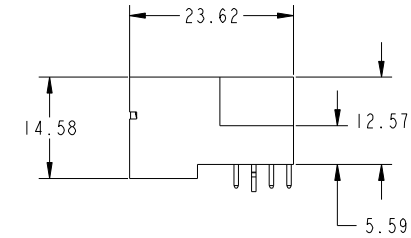
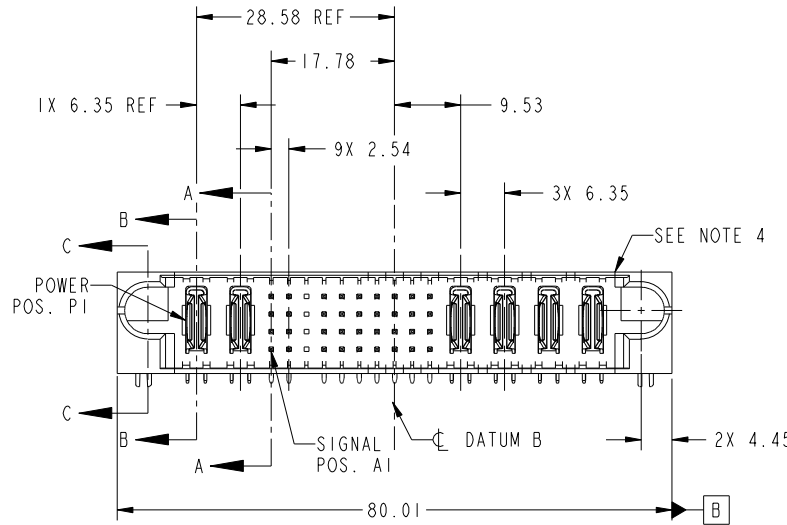


Tous droits strictement reserves. Reproduction ou communication a des tiers interdite sous quelque forme que ce soit sans autorisation écrite du propriétaire. Propriete de c FCI. Droits de reproduction FCI.



All rights strictly reserved. Reproduction or issue to third parties in any form whatever is not permitted without written authority from the proprietor. Property of FCI. Copyright FCI.

PRODUCT NO. 51730-156-- NOTE 3	ROWS D C B A	POWER		SIGNAL										POWER				E2
		E1	P1	P2	1	2	3	4	5	6	7	8	9	10	P3	P4	P5	



CODE	DIM "M" MATING LENGTH	CONTACT TYPE
U	[6.86]	SIGNAL
T	[6.86]	SIGNAL
S	[6.86]	SIGNAL
PA	[N/A]	POWER
HA	[N/A]	HOLD-DOWN
E	[5.59]	SIGNAL
X	OMITTED	

mat'l code				SEE NOTE		tolerances unless otherwise specified		CUSTOMER		FCI	
ltr	ecn no.	dr	date	linear	0.X ± 0.5	COPY		www.fciconnect.com		title	
A	DG08-0314	JW	10/16/08	angles	0.XX ± 0.25	projection		2P + 36S + 4P		RIGHT ANGLE SOLDER HEADER	
				dr	0.XXX ± 0.1	MIM		product family		GARY HSIEH	code
				enr	0° ± 2°	scale		size		dwg no	213
				chr	JULIA WANG	1:1		A		51730-156	sheet
				appd	SEE NOTES						1 of 4
					GARY HSIEH						
					JOSEPH HSIA						
sheet index	revision sheet	A	A	A	A						
		1	2	3	4						

cage code 22526

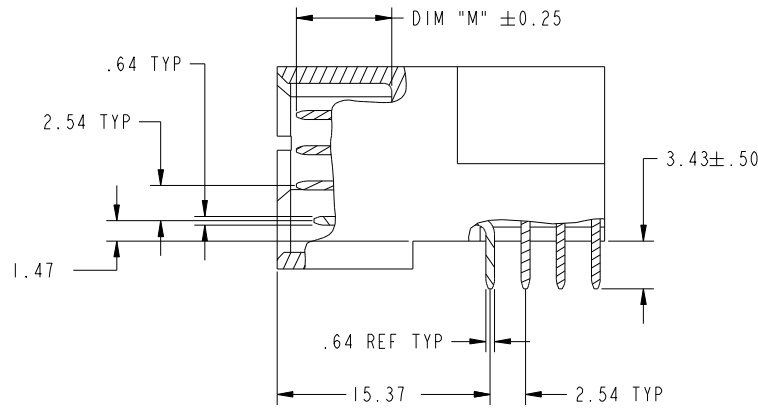
Pro/E

Tous droits strictement reserves. Reproduction ou communication a des tiers interdite sous quelque forme que ce soit sans autorisation écrite du propriétaire. Propriete de c FCI. Droits de reproduction FCI.

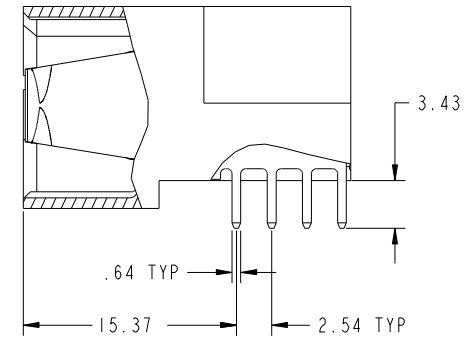
All rights strictly reserved. Reproduction or issue to third parties in any form whatever is not permitted without written authority from the proprietor. Property of FCI. Copyright FCI.



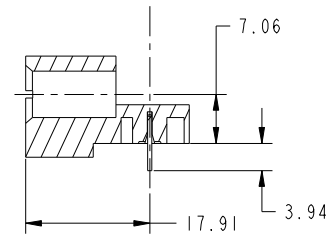
PRODUCT NUMBER
51730-156--
NOTE: 3



BROKEN-OUT SECTION A-A
SCALE 2:1



BROKEN-OUT SECTION B-B
SCALE 2:1



SECTION C-C

mat'l code				SEE NOTE		tolerances unless otherwise specified		CUSTOMER		FCI	
ltr	ecr no.	dr	date	linear	0.X ±0.5	COPY		projection		www.fciconnect.com	
A					0.XX ±0.25	MIM		title		2P + 36S + 4P	
				angles	0.XXX ±0.1	1:1		product family		GARY HSIEH	
				dr	0° ±2°	scale		size		code	
				enr	JULIA WANG 10/16/08	A		dwg no		213	
				chr	JEROME CHEN 10/16/08	1:1		51730-156		sheet	
				appd	GARY HSIEH 10/16/08					2 of 4	
					JOSEPH HSIA 10/16/08						
sheet index	revision sheet										

cage code 22526

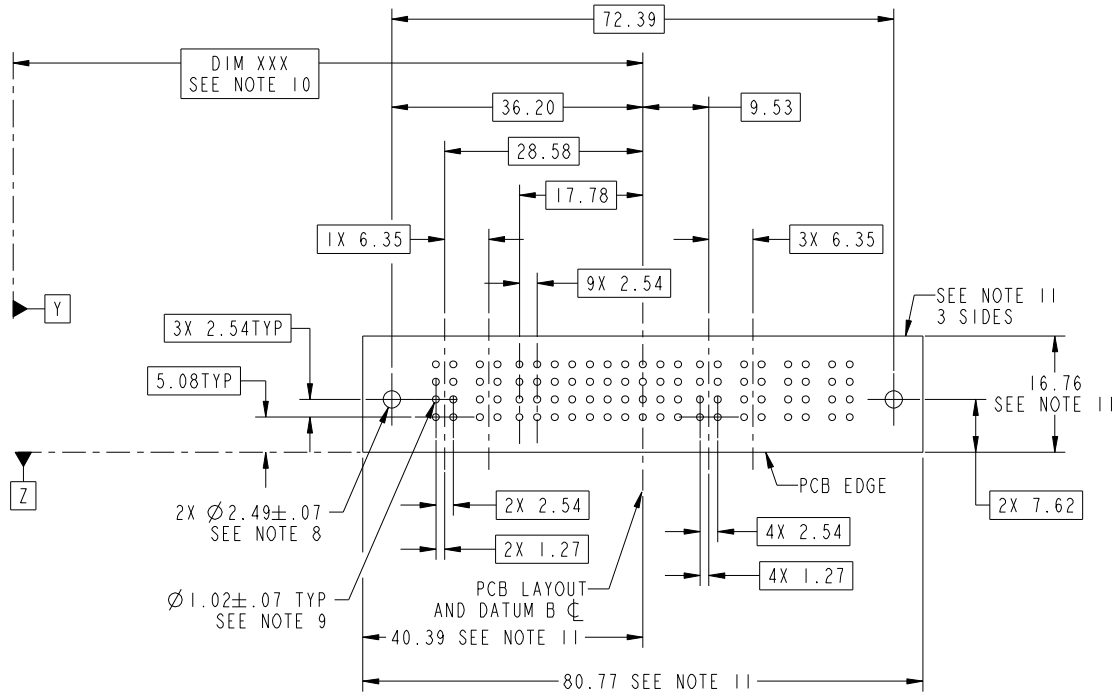
Pro/E

Tous droits strictement reserves. Reproduction ou communication a des tiers interdite sous quelque forme que ce soit sans autorisation écrite du propriétaire. Propriete de c FCI. Droits de reproduction FCI.



All rights strictly reserved. Reproduction or issue to third parties in any form whatever is not permitted without written authority from the proprietor. Property of FCI. Copyright FCI.

PRODUCT NUMBER
51730-156--
NOTE: 3



RECOMMENDED PCB LAYOUT

mat'l code		SEE NOTE		tolerances unless otherwise specified		CUSTOMER		FCI	
ltr	ecn no.	dr	date	linear	0.X ± 0.5	COPY		www.fciconnect.com	
A					0.XX ± 0.25	projection		title	
				angles	0.XXX ± 0.1			2P + 36S + 4P RIGHT ANGLE SOLDER HEADER	
				dr	0° ± 2°	MIM		product family GARY HSIEH code	
				enr	JULIA WANG 10/16/08	scale		size dwg no	
				chr	SEE NOTES	1:1		213	
				appd	GARY HSIEH 10/16/08	A		51730-156 sheet	
					JOSEPH HSIA 10/16/08			3 of 4	
sheet index	revision sheet								

cage code 22526

Pro/E

Tous droits strictement reserves. Reproduction ou communication a des tiers interdite sous quelque forme que ce soit sans autorisation écrite du propriétaire. Propriete de c FCI. Droits de reproduction FCI.



All rights strictly reserved. Reproduction or issue to third parties in any form whatever is not permitted without written authority from the proprietor. Property of FCI. Copyright FCI.

PRODUCT NUMBER
51730-156--
NOTE: 3

NOTES:

1. DIMENSIONS AND TOLERANCES ARE IN ACCORDANCE WITH ASME Y14.5M, 1994 UNLESS OTHERWISE SPECIFIED.

CONNECTOR NOTES:

- 2. HOUSING MATERIAL: UL 94 V-0 GLASS FILLED
HIGH-TEMP THERMOPLASTIC
POWER CONTACT MATERIAL: COPPER ALLOY
SIGNAL PIN MATERIAL: COPPER ALLOY
- 3. PLATING:
SEE ITEM 1 & 2 IN PRINT 10064183 FOR PLATING SPEC. OF 51730-156; 51730-156LF RESPECTIVELY.
- 4. MANUFACTURER'S NAME, P/N, AND DATE CODE TO APPEAR ON THIS SURFACE.
- 5. PRODUCT SPECIFICATION GS-12-149.
APPLICATION SPECIFICATION BUS-20-067.
- 6. PACKAGED IN TRAYS.

PCB NOTES:

- 7. ALL HOLE DIAMETERS ARE FINISHED HOLE SIZE.
- 8. MOUNTING HOLES, WHERE APPLICABLE, ARE UNPLATED.
- 9. $\varnothing 1.151 \pm 0.025$ DRILLED HOLES PLATED WITH
0.008 MIN SnPb OR Sn OVER 0.03
TO 0.08 Cu PLATING TO ACHIEVE
 $\varnothing 1.02 \pm .07$ HOLE.
- 10. "DIM XXX" TO BE DETERMINED BY THE CUSTOMER.
- 11. CONNECTOR KEEP-OUT ZONE.

mat'l code		SEE NOTE		tolerances unless otherwise specified		CUSTOMER		FCI		www.fciconnect.com	
ltr	ecr no.	dr	date	linear	0.X ± 0.5	COPY				title	
A					0.XX ± 0.25	projection				2P + 36S + 4P	
				angles	0.XXX ± 0.1					RIGHT ANGLE SOLDER HEADER	
				dr	JULIA WANG 10/16/08	product family		GARY HSIEH	code		
				enr	SEE NOTES	size		dwg no	213		
				chr	GARY HSIEH 10/16/08	scale		A	51730-156		
				appd	JOSEPH HSIA 10/16/08	1:1		sheet		4 of 4	
sheet index	revision sheet										

cage code 22526

Pro/E