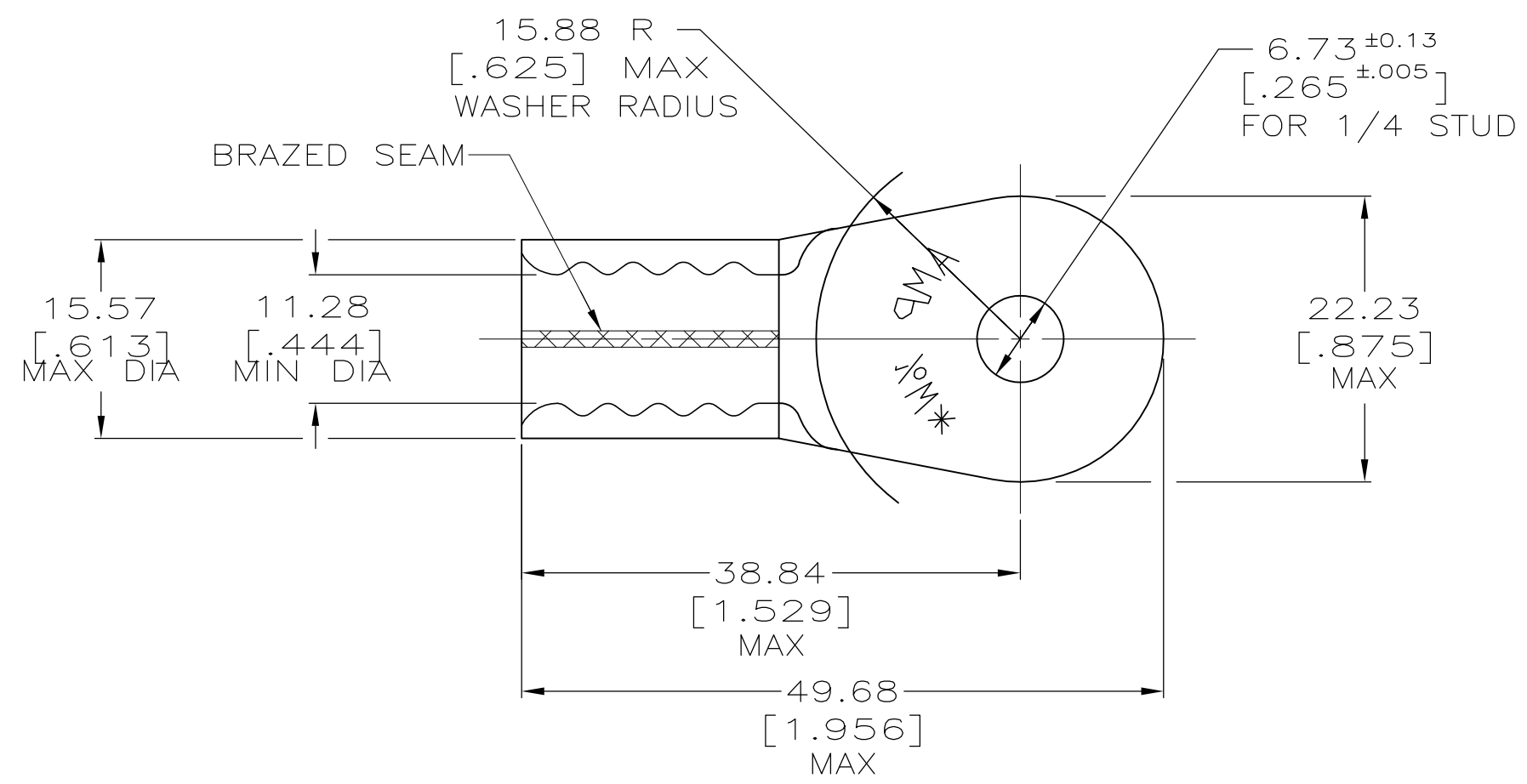


THIS DRAWING IS UNPUBLISHED. RELEASED FOR PUBLICATION
 © COPYRIGHT BY TYCO ELECTRONICS CORPORATION. ALL INTERNATIONAL RIGHTS RESERVED.

LOC	DIST	REVISIONS					
		P	LTR	DESCRIPTION	DATE	DWN	APVD
G	14		J1	REV PER ECR 09-015243	29JUL09	JR	TM

AMP WIRE RANGE	E13288 Listed	LR7189 Certified
1/0 AWG SOLID OR STRANDED	1/0 AWG STRANDED	1/0 AWG SOLID OR STRANDED



- 1 TIN PL 0.00254 [.000100] MIN THK PER MIL-T-10727
- 2 GOLD PL 0.00127 [.000050] MIN THK PER MIL-G-45204 OVER NICKEL PL 0.00076 [.000030] MIN THK PER QQ-C-290
- 3 SILVER PL 0.01270 [.000500] MIN THK PER QQ-S-365
- 4 SEE RESTRICTED CUSTOMER DRAWING 2-36915-3

	---	2-36915-3
OBSOLETE	3	2-36915-2
OBSOLETE	2	2-36915-1
	1	36915
	FINISH	MATERIAL
		COPPER ASTM B-152 1.78±0.08 [.070±.003] ANNEALED
		PART NO.

THIS DRAWING IS A CONTROLLED DOCUMENT.		DWN DK SCHRUM 7/2/91	Tyco Electronics Corporation Harrisburg, PA 17105-3608	
DIMENSIONS: MM [INCHES]		CHK RD HEIM 8/15/91	NAME	
TOLERANCES UNLESS OTHERWISE SPECIFIED:		APVD AJ KAUFMAN 8/16/91	TERMINAL, RING TONGUE, SOLISTRAND, WIRE SIZE: 50.0mm ² [1/0] AWG	
0 PLC ± -		PRODUCT SPEC	SIZE	CAGE CODE
1 PLC ± -		APPLICATION SPEC	A3	00779
2 PLC ± 0.20 [.008]		WEIGHT	G	-36915
3 PLC ± -			SCALE	2:1
4 PLC ± -			SHEET	1 OF 1
ANGLES ± -			REV	J1
MATERIAL SEE TABLE	FINISH SEE TABLE	CUSTOMER DRAWING		