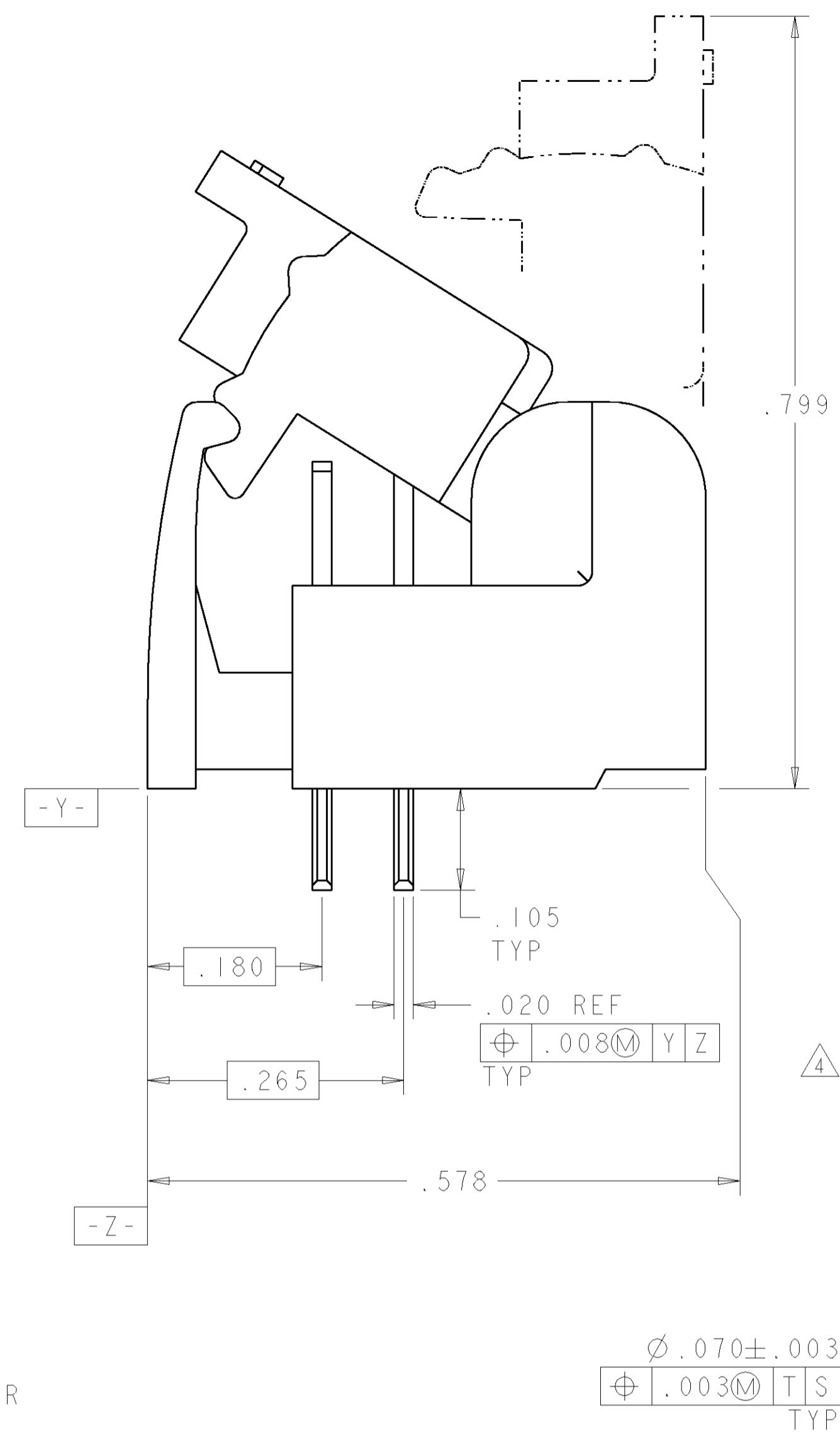
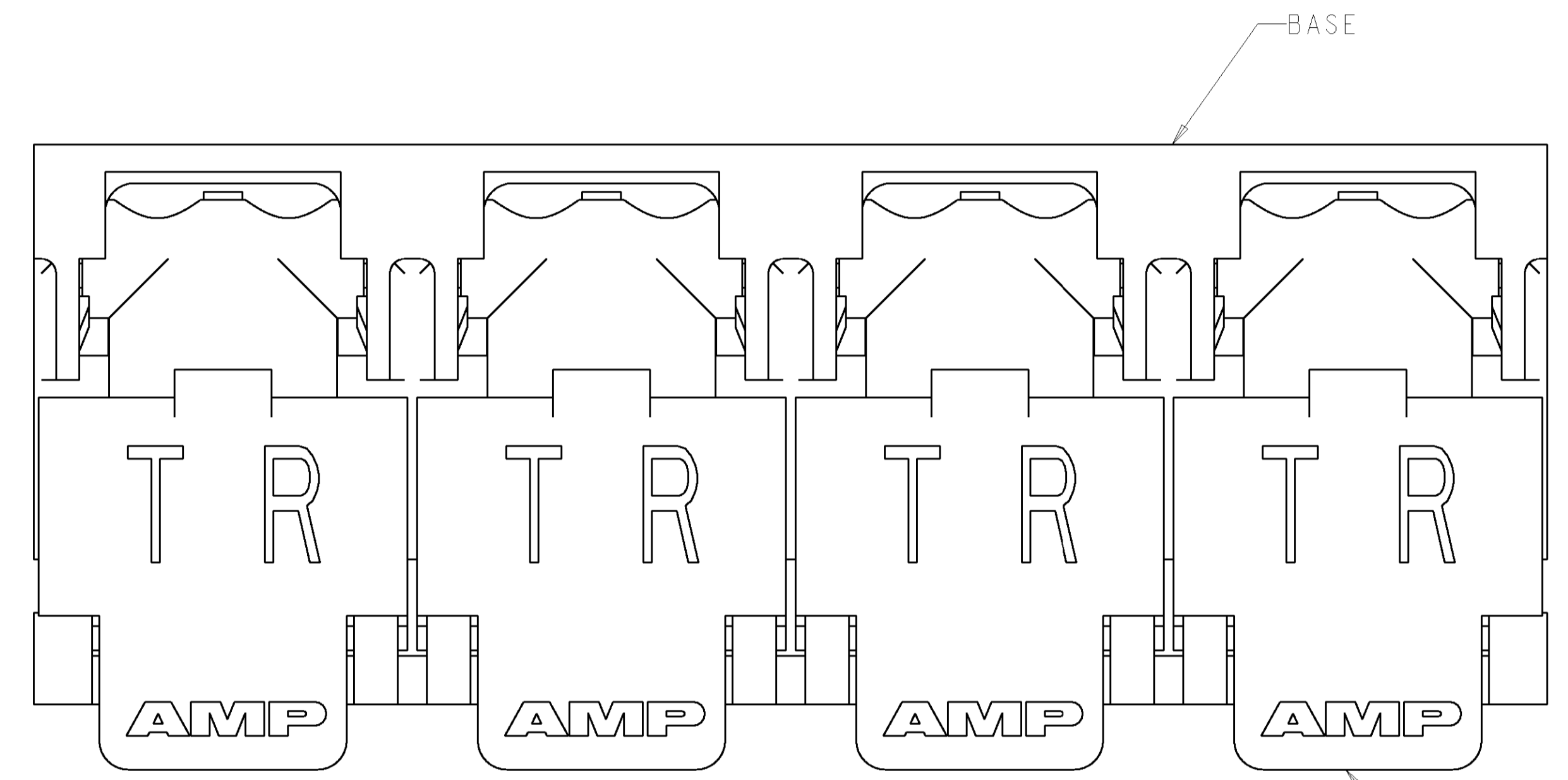
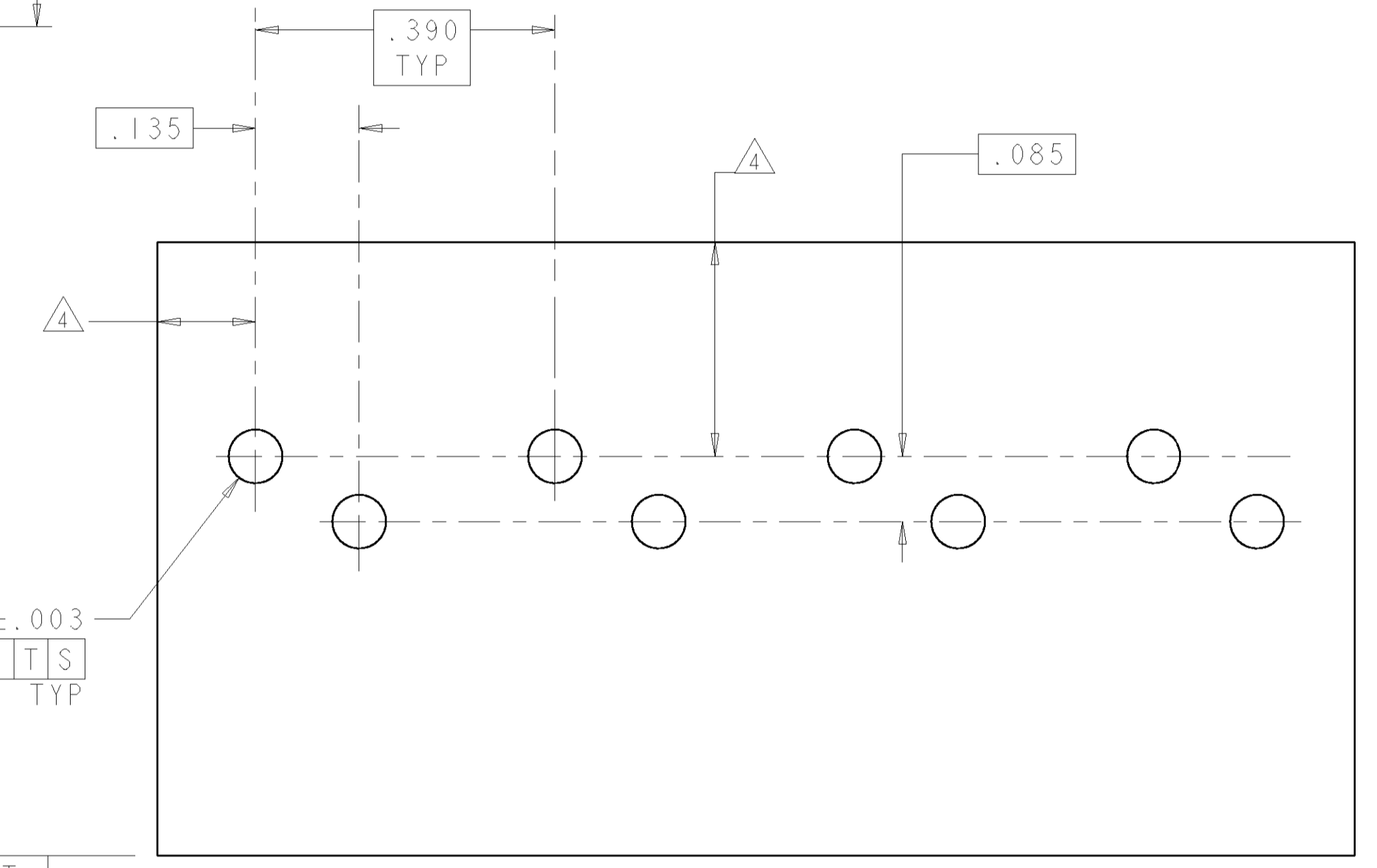


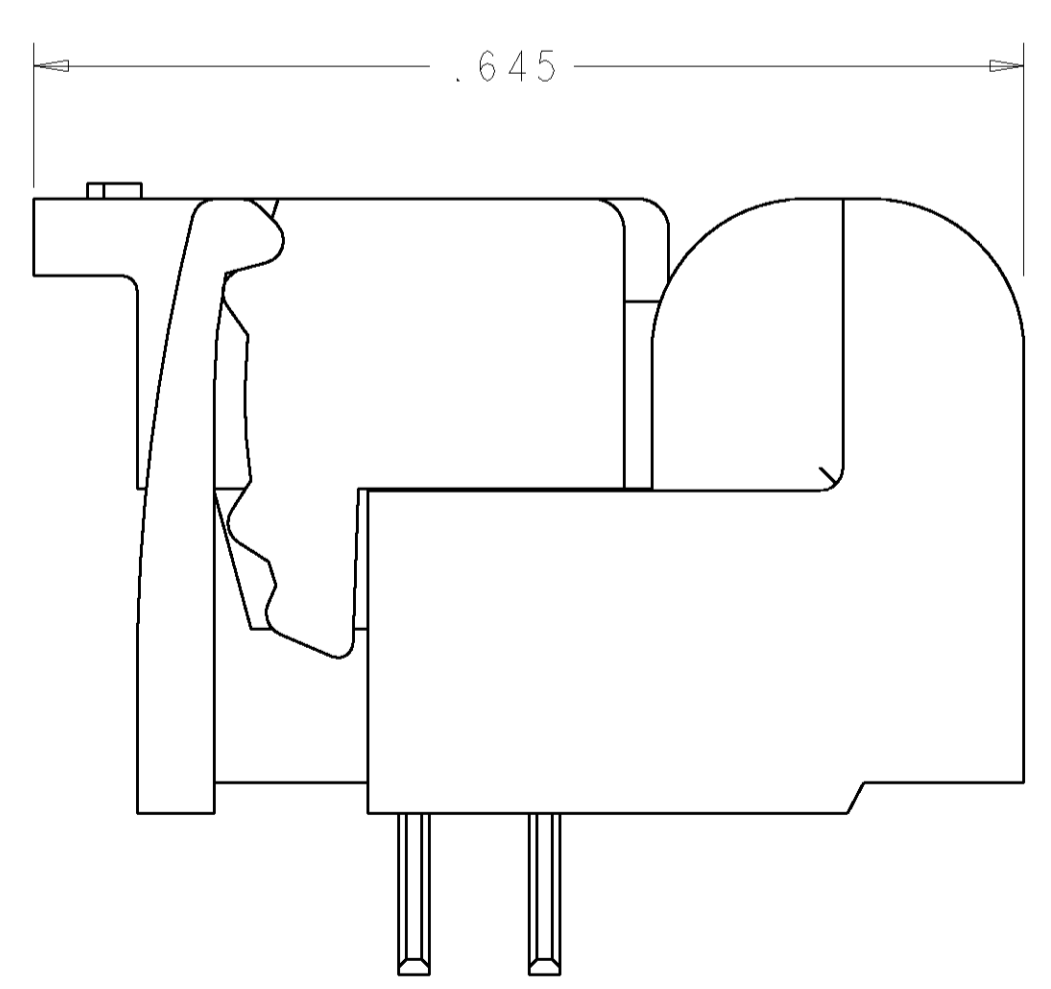
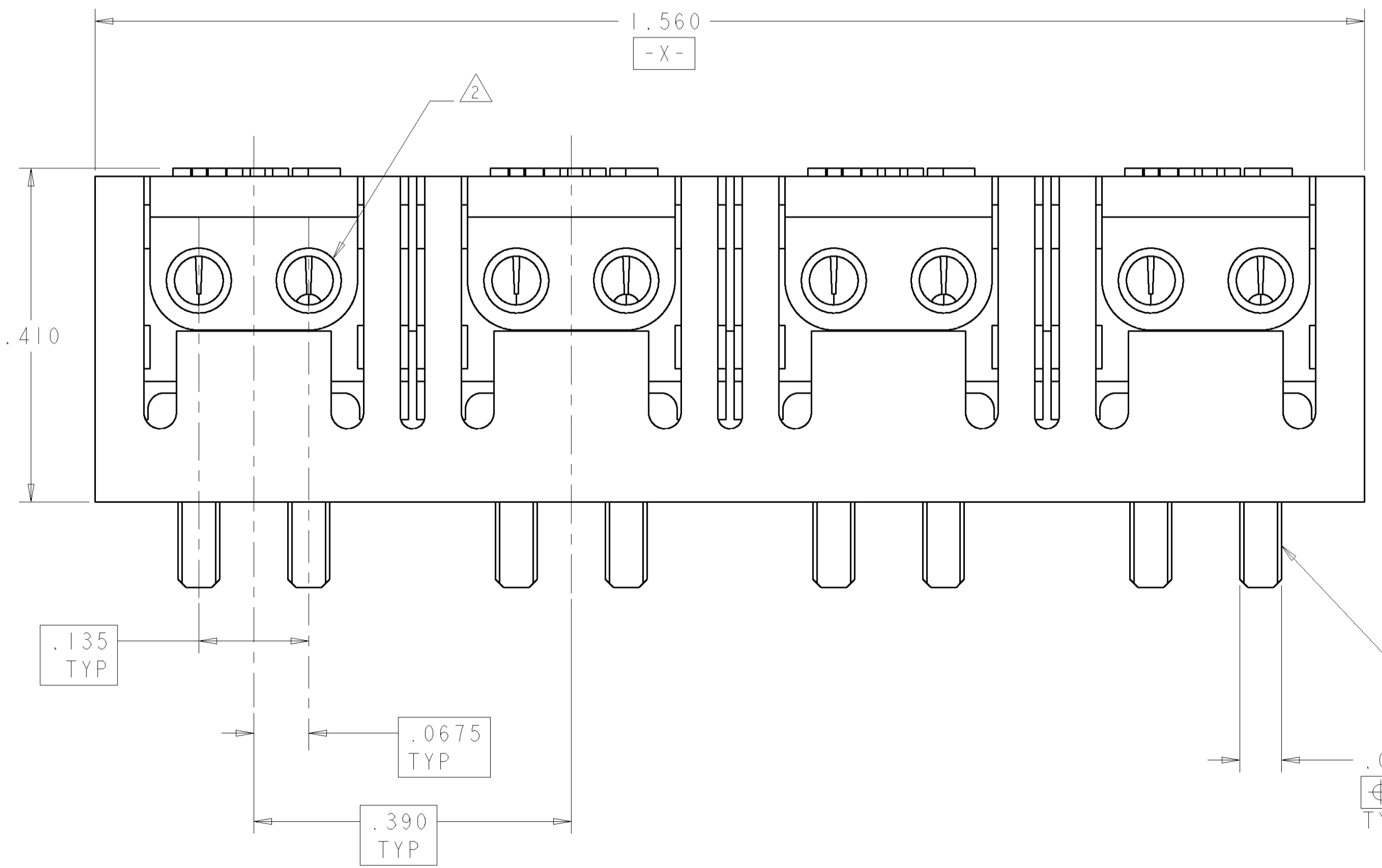
| LOC | DIST | REVISIONS | | | | | |
|-----|------|-----------|-----|-----------------------------|-----------|-----|------|
| GP | 00 | F | LTR | DESCRIPTION | DATE | DWN | APVD |
| | | B | | REVISED: EC QUIC-0007-01 | 22JAN2001 | JA | TW |
| | | C | | REVISED PER EC 0S15-0450-02 | 21JAN2003 | DLD | RPM |
| | | D | | REVISED PER EC 0S15-0324-03 | 05DEC2003 | JB | CF |



- △ MATERIAL: BASE - POLYESTER MOLDING COMPOUND, BLACK.
 WIRE STUFFER: - POLYCARBONATE MOLDING COMPOUND, CLEAR.
 TERMINAL - COPPER ALLOY, PLATED WITH 3.81µm MINIMUM THICK TIN OVER 1.27µm MINIMUM THICK NICKEL UNDERPLATE.
- △ EACH WIRE ENTRY HOLE ACCEPTS ONE UNSTRIPPED SOLID COPPER 22-26 AWG WIRE WITH WIRE INSULATION DIAMETER RANGE FROM .060 THROUGH .040. OTHER WIRE SIZES AND TYPES SHALL BE SUBMITTED TO AMP ENGINEERS FOR APPLICATION APPROVAL.
- 3. SOLDER TABS PROVIDED FOR PERMANENT BOARD MOUNTING.
- △ LOCATION OF HOLE PATTERN DETERMINED BASED ON CUSTOMER REQUIREMENTS.



SUGGESTED PRINTED CIRCUIT BOARD MOUNTING DIMENSIONS VIEWED FROM SOLDER SIDE



CLOSED POSITION

| | | | |
|--|-------|--|--|
| RED | GREEN | CLEAR | 1339308-1 |
| R | T | WIRE STUFFER | PART NUMBER |
| COLOR CODE | | | |
| <small>THIS DRAWING IS UNPUBLISHED. RELEASED FOR PUBLICATION. ALL RIGHTS RESERVED. ORGANIZATION SHOULD BE CONTACTED FOR THE LATEST REVISION.</small> | | DWN: R. ZARBOCK 28APR00 ENR: M. DERSTINE 28APR00 APVD: M. DERSTINE 28APR00 | AMP Incorporated Harrisburg, PA 17105-3608 |
| DIMENSIONS: INCHES TOLERANCES UNLESS OTHERWISE SPECIFIED: 0 PLC ± 1 PLC ±.01 2 PLC ±.01 3 PLC ±.005 4 PLC ± ANGLES ± | | NAME: ASSEMBLY, FOUR PAIR, SINGLE ENTRY, PIVOT II CONNECTOR PRODUCT SPEC: APPLICATION SPEC: WEIGHT: CUSTOMER DRAWING | SIZE: A1 CAGE CODE: 00779 DRAWING NO: 1339308 SCALE: 8:1 SHEET 1 OF 1 REV D |