

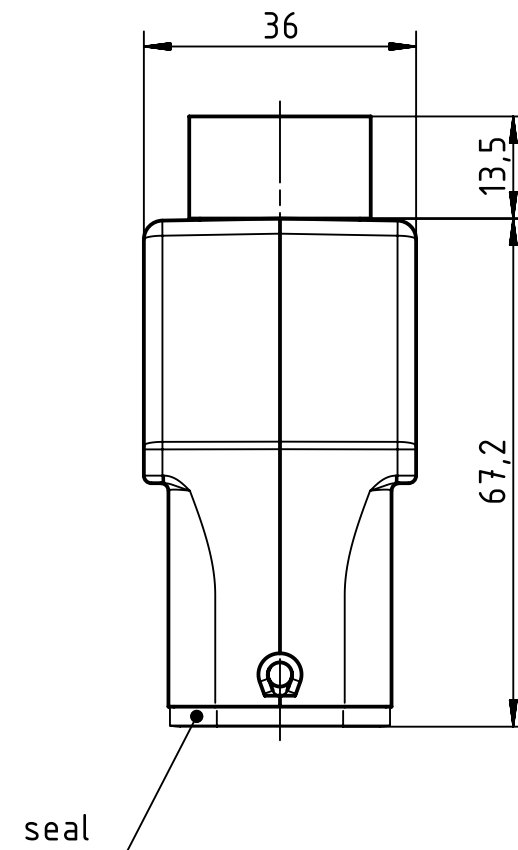
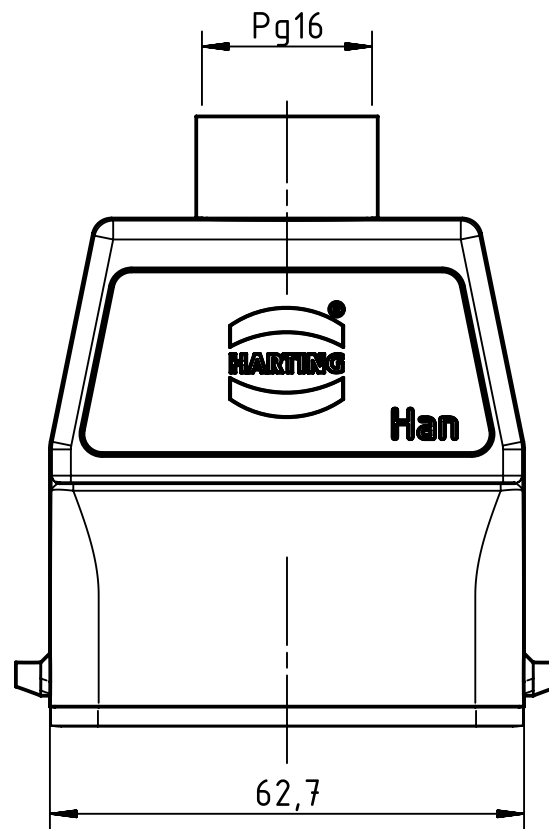
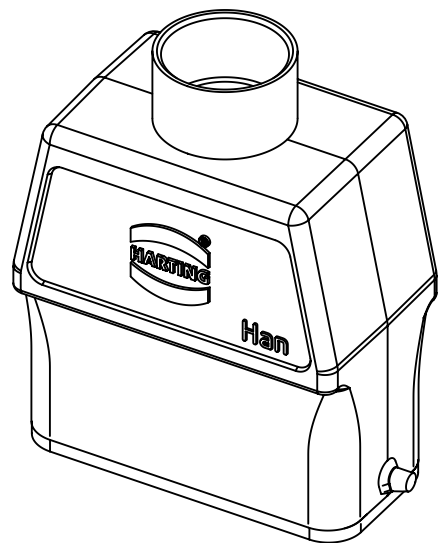
1 2 3 4 5 6

A

B

C

D



	All Dimensions in mm Original Size DIN A4	Scale 1:1		Free size tol.		Ref.	
						Sub.	
	All rights reserved Department EL PD - DE	Created by SCHULZI	Inspected by BERGHORN	Standardisation TIEMANNA	Date 2014-02-26	State Final Release	
		Title Han A Hood Top Entry HC 2 Pegs PG 16					Doc-Key / ECM-Nr. 100189384 / UGD/004/A 500000071737
HARTING Electric GmbH & Co. KG D-32339 Espelkamp		Type TB	Number 09 20 010 0440			Rev. A	Page 1/1