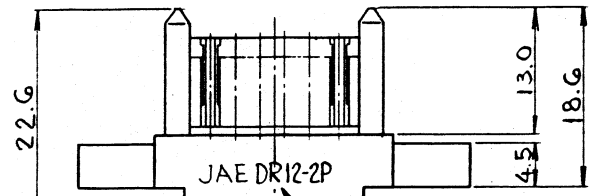
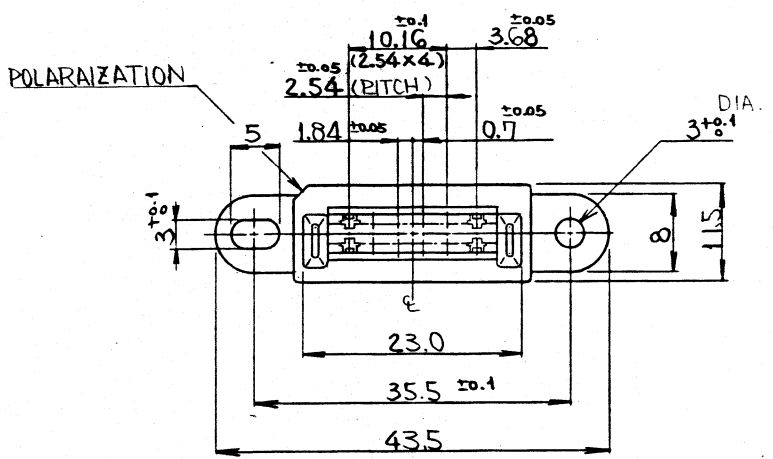
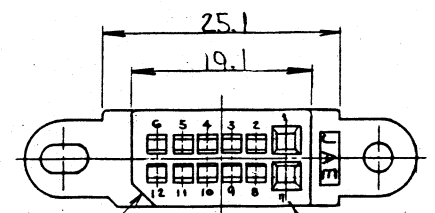


DWG. NO. SJ021041-E 1 SYM.

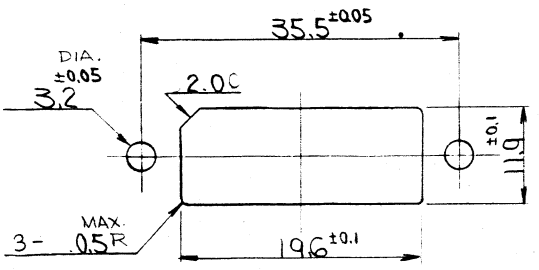
SYM. DCN NO. DESCRIPTION DATE DRAWN CHECKED APP'D APP'D



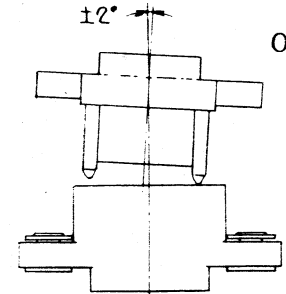
JAE AND PART NO. MARKING



MOUNTING PANEL CUTOUT DIMENSIONS (REF)

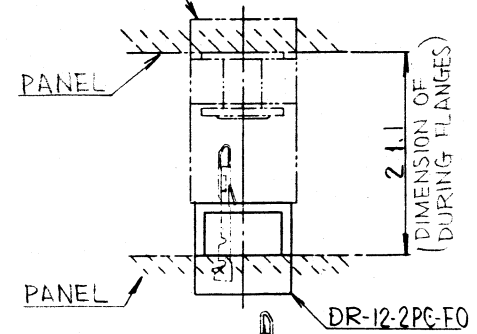


ALLOWABLE MATING ANGLE



OCT.-2'89

APPLICABLE CONNECTOR (DR-12-2SC-F0)



CONTACTS ARE ORDERED SEPARATELY

MATING EXAMPLE

FILED JUL 30 2002 DOCUMENT CONTROL

1	INSULATOR	1	GLASS FILLED PBT		94V-0 COLOR:BLACK
ITEM	DESCRIPTION	QTY	MATERIAL	FINISH	REMARK

UNLESS OTHERWISE SPECIFIED DIMENSIONS ARE IN INCHES TOLERANCES ON:			DATE MAY. 7 1987	TITLE DR-12-2PC-F0	JAPAN AVIATION ELECTRONICS IND. CO. LTD. FACTORY NAKAGAMI-CHO, AKISHIMA-SHI TOKYO, JAPAN
FRACTIONS	DECIMALS	ANGLES	DRAWN		
±0.8	±0.4	±0.1	CHECKED Y. HAYASHI		DWG. NO. SJ021041-E
TREATMENT OR FINISH			APP'D <i>H. Takemura</i>	SCALE 1/2	SHEET
			APP'D <i>D. Ishimoto</i>	DWG. SIZE B WT.	

CSB-1107