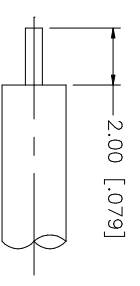
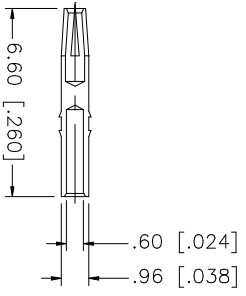
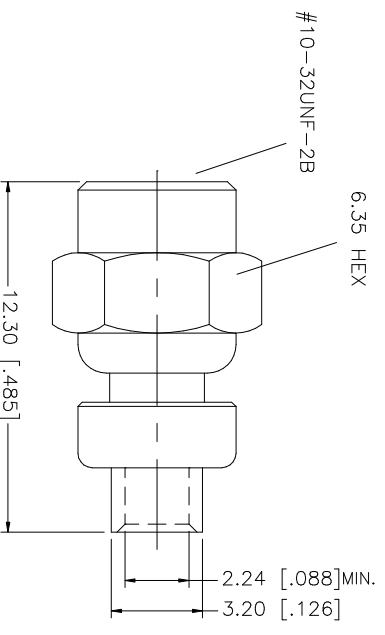


REV.	DATE	DESCRIPTION
A	01/30/04	UPDATE DRAWING FORMAT



RECOMMENDED
CABLE STRIPPING DIM'S

NOTE:
1. CONTACT PIN TO SOLDER

QTY	FINISH	MATERIAL	DESCRIPTION
1	GOLD	BER. COPPER	CONTACT PIN
1	NATURAL	TEFLON	INSULATOR
1	GOLD	BRASS	BODY
			DESCRIPTION

UNLESS OTHERWISE SPECIFIED, DIMENSIONS ARE IN MILLIMETERS. DIMENSIONS IN INCHES ARE IN INCHES AND FOR CUSTOMER REFERENCE ONLY.	UNLESS OTHERWISE SPECIFIED, DIMENSIONS ARE IN MILLIMETERS. DIMENSIONS IN INCHES ARE IN INCHES AND FOR CUSTOMER REFERENCE ONLY.
TOLERANCES FOR MILLIMETERS ARE:	TOLERANCES FOR INCHES ARE:
0.5 - 8mm ± 0.20mm	0.5 - .315 = ± 0.007"
8 - 30mm ± 0.40mm	.315 - 1.180 = ± 0.015"
30 - 120mm ± 0.50mm	1.180 - 4.724 = ± 0.020"

APPROVALS	DATE
DRAWN G.R.S.	01/30/04
CHECKED	
ISSUED	
SHEET 1 OF 1	

CAD FILE	DWG. NO.	REV.	SIZE	SCALE
C:/152/152135.DWG	152135.DWG	A	A	NA

PART DESCRIPTION	PART NO.
SMC DIRECT SOLDER PLUG (FOR .085", .086")	152135