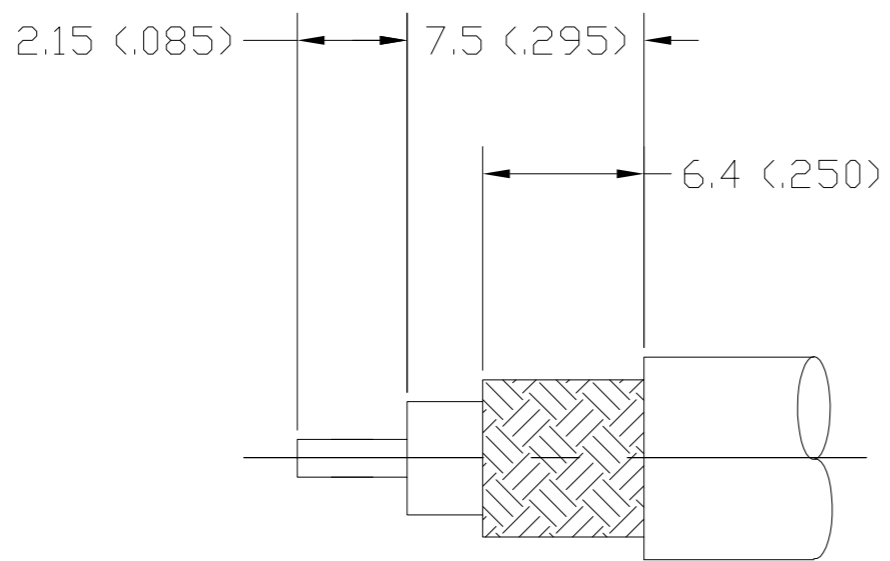
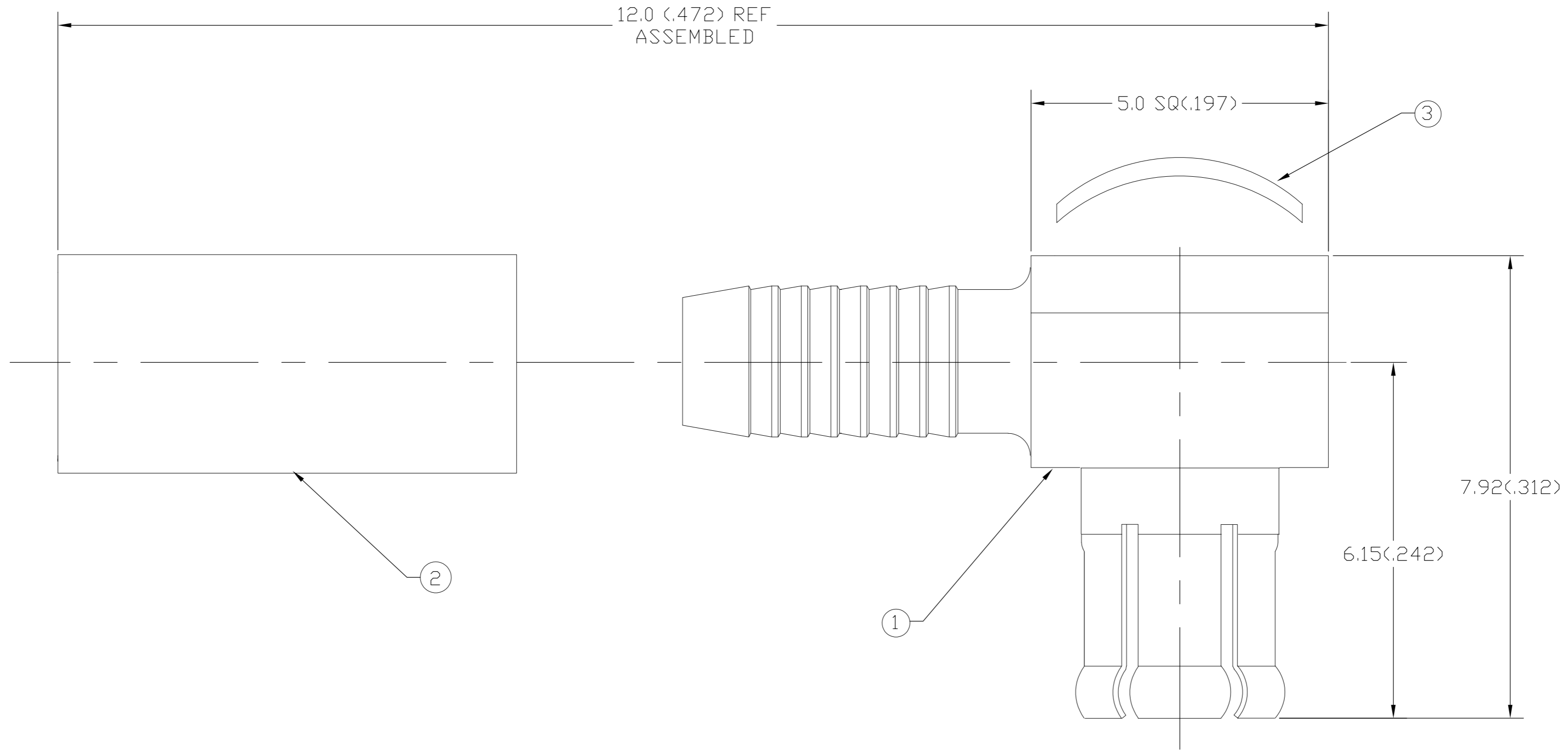


THIS DRAWING IS UNPUBLISHED. RELEASED FOR PUBLICATION
 © COPYRIGHT - By - ALL RIGHTS RESERVED.

| LOC | DIST | REVISIONS | | | |
|-----|------|-----------------------|-----------|-----|------|
| P | LTR | DESCRIPTION | DATE | DWN | APVD |
| AJ | 00 | REV PER ECO-13-011283 | 09DEC2013 | G.C | M.Y |



CABLE TRIM DIMENSIONS

1. FOR USE IWTH RG-174, RG-188 AND RG-316 CABLE.

| | | | | | |
|----------|---------|-------------|------------|------------|-------------|
| | GOLD | 3-1403081-6 | 3-413889-1 | 1408228-2 | 1330723-3 |
| OBSOLETE | NICKEL | 3-1403081-3 | 2-413889-4 | 1408228-1 | 1330723-1 |
| | HOUSING | CAP | FERRULE | HSG ASSY | PART NUMBER |
| | PLATE | ③ QTY=1 | ② QTY=1 | ① QTY=1 | |

| | | | | | |
|--|--|------------------|----------|---|-----------|
| THIS DRAWING IS A CONTROLLED DOCUMENT. | | DWN | 12MAR01 | | |
| DIMENSIONS: mm [INCHES] | | RMF | 12MAR01 | | |
| TOLERANCES UNLESS OTHERWISE SPECIFIED: | | CHK | 12MAR01 | | |
| 0 PLC ± - 1 PLC ± - 2 PLC ± .13 3 PLC ± - 4 PLC ± - ANGLES ± 1° | | APVD | 12MAR01 | | |
| MATERIAL | | PRODUCT SPEC | | NAME | |
| FINISH | | APPLICATION SPEC | 408-8328 | MCX RIGHT ANGLE CABLE PLUG CRIMP/SOLDER | |
| | | WEIGHT | - | SIZE | A2 |
| | | CUSTOMER DRAWING | | CAGE CODE | 00779 |
| | | | | DRAWING NO | C=1330723 |
| | | | | RESTRICTED TO | - |
| | | | | SCALE | 20:1 |
| | | | | SHEET | 1 of 1 |
| | | | | REV | E |

1330723