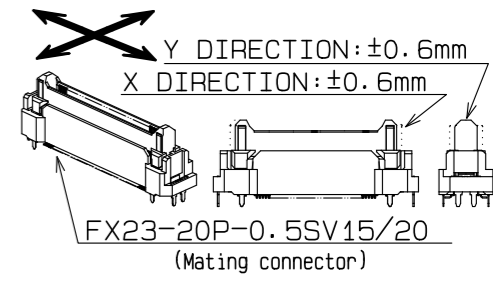
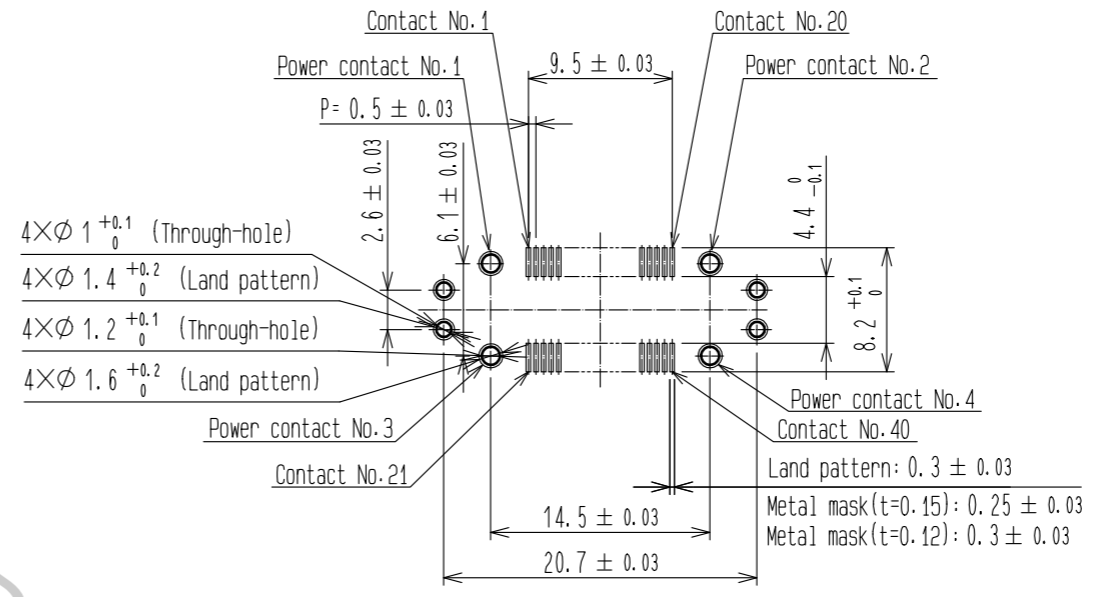
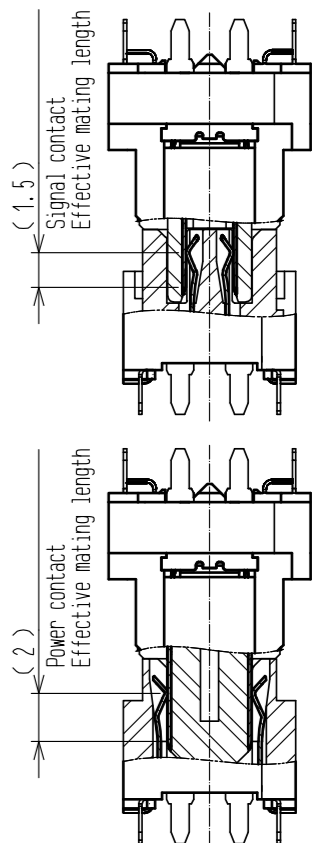


RECOMMENDED LAND PATTERN DIMENSION OF PCB
(PCB THICKNESS: $t=1.6\text{mm}$)

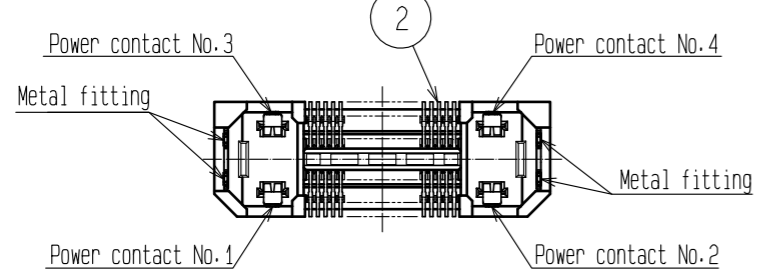
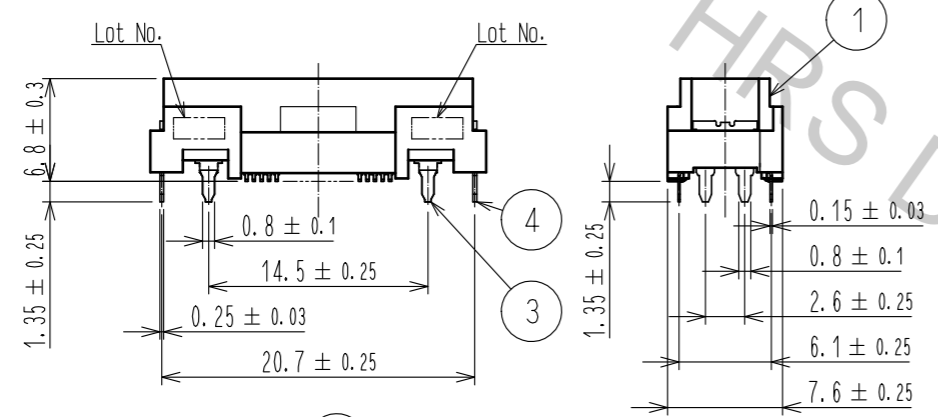
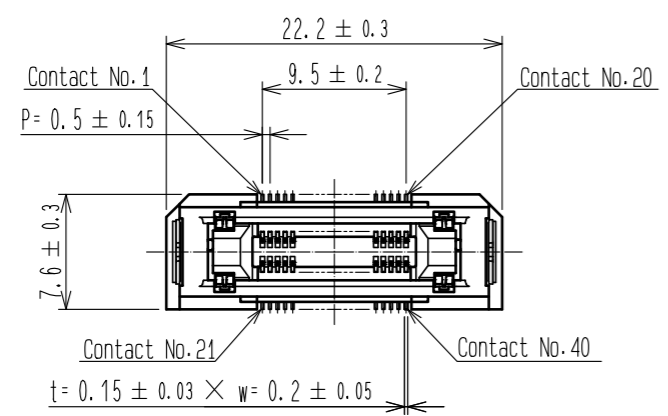
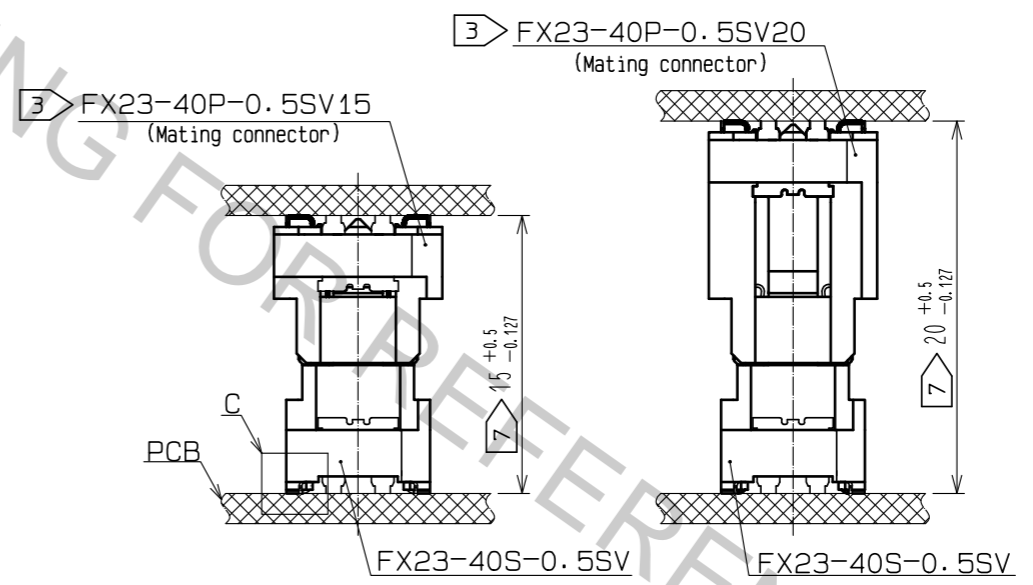
FLOATING RANGE



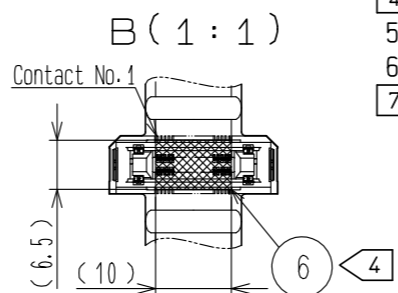
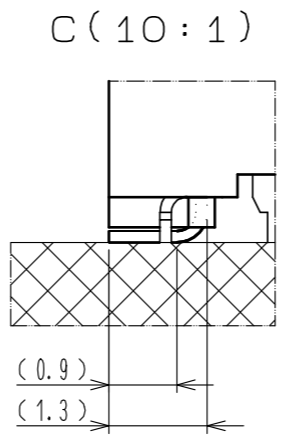
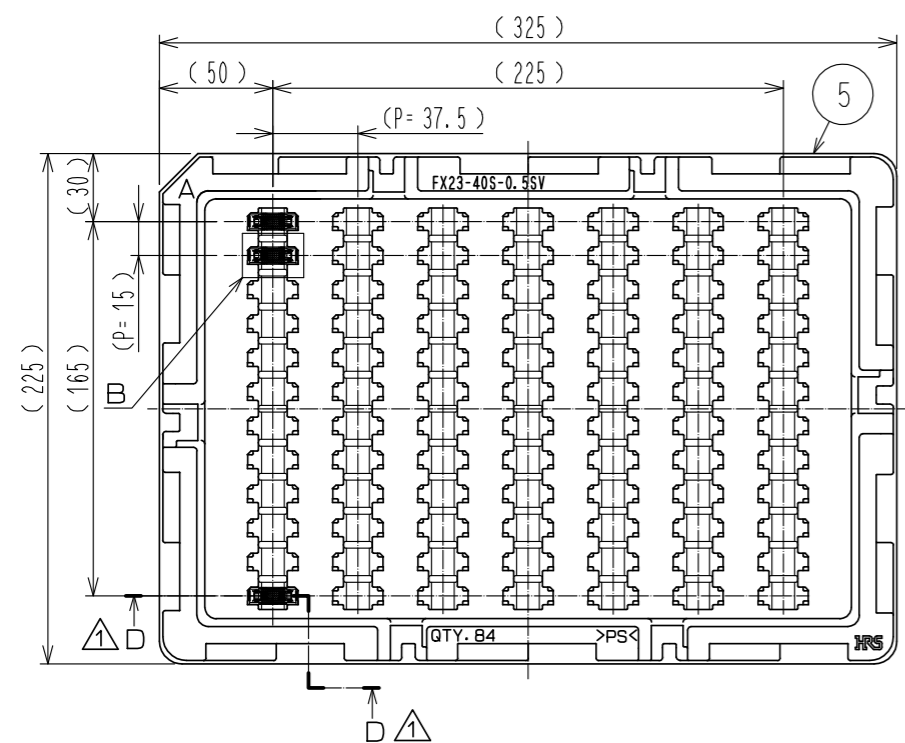
CROSS SECTION OF MATING
(No scale)



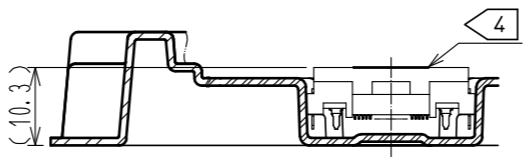
PCB DISTANCE (No scale)



DRAWING FOR PACKING (No scale)



ΔD-D (1:1)



- Lead CO-Planarity is 0.1mm MAX.
- This is packaged in tray. (84pcs/tray)
- Floating range of this connector is ±0.6mm MAX.
- It shows the vacuum pickup area. Remove the mylar tape before mating connectors.
- Blemish and hit mark can be occurred through out the manufacturing process which doesn't affect quality level.
- The dimensions in parentheses are for references.
- Please use the connectors within the specified PCB distance.

NO.	MATERIAL	FINISH	REMARKS	NO.	MATERIAL	FINISH	REMARKS
2	COPPER ALLOY		CONTACT AREA: GOLD 0.1 μm LEAD AREA: GOLD 0.03 μm UNDER PLATING: NICKEL 1.3 μm	4	BRASS		LEAD AREA: TIN-PLATING 3 μm UNDER PLATING: NICKEL 1 μm
1	LCP		BLACK UL94V-0	3	COPPER ALLOY		CONTACT AREA: GOLD 0.1 μm LEAD AREA: TIN-PLATING 1 μm UNDER PLATING: NICKEL 1.3 μm
6	POLYIMIDE		(TAPE FOR VACUUM PICKUP)	5	POLYSTYRENE		(TRAY)

UNITS	SCALE	COUNT	DESCRIPTION OF REVISIONS	DESIGNED	CHECKED	DATE
mm	2:1	3	DIS-F-00001543	TS.00NO	KN. SHIBUYA	16.08.24
APPROVED: HS. OKAWA			15.02.09	DRAWING NO. EDC-353552-00-00		
CHECKED: KN. SHIBUYA			15.02.09	PART NO. FX23-40S-0.5SV		
DESIGNED: TS.00NO			15.02.06	CODE NO. CL573-3202-2-00		
DRAWN: TS.00NO			15.02.06			