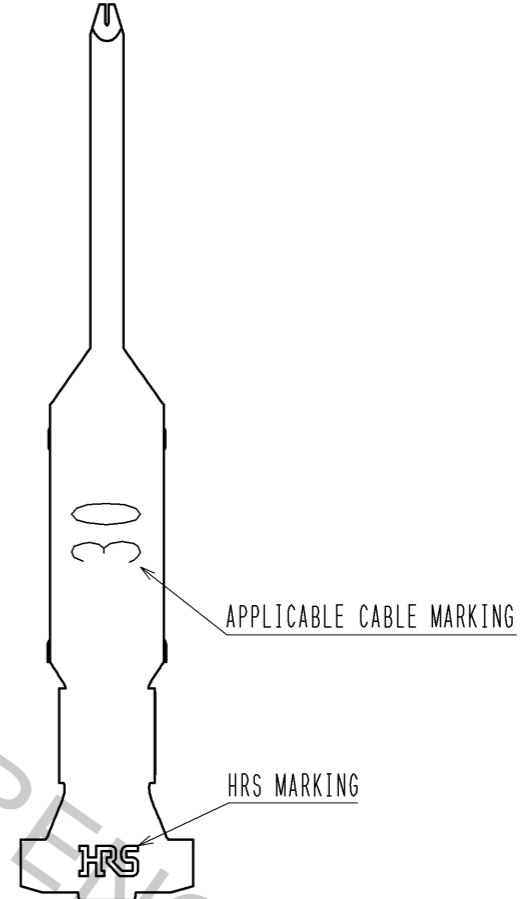
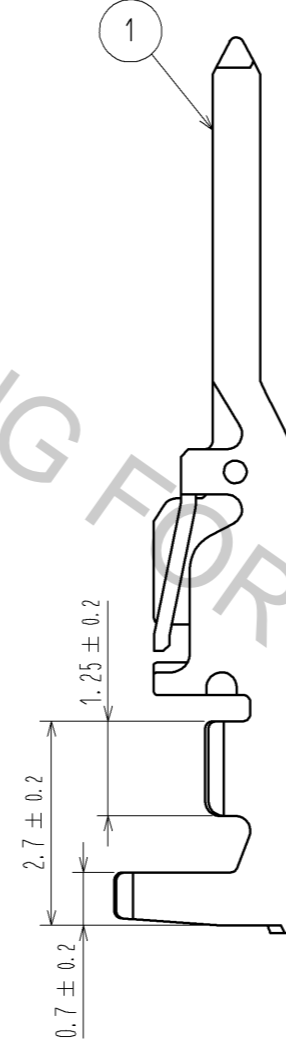
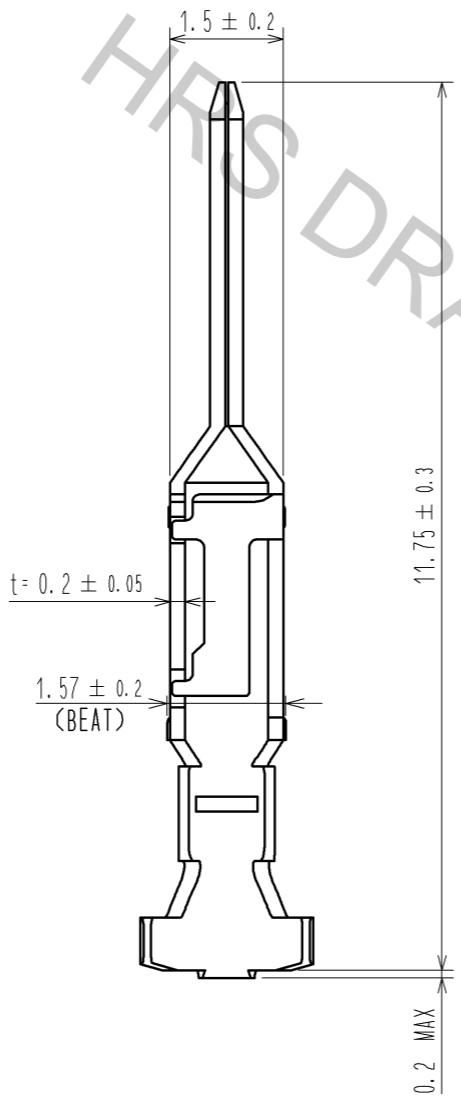
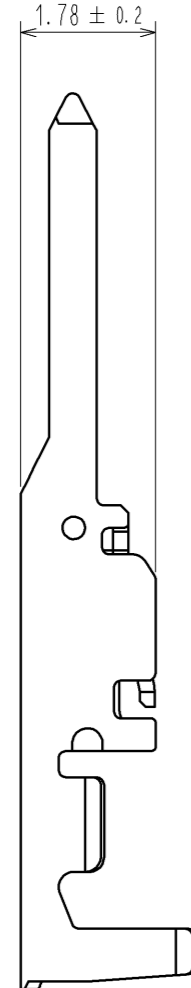


May.1.2017 Copyright 2017 HIROSE ELECTRIC CO., LTD. All Rights Reserved.



NOTE 1. 1PACK:100 CONTACTS

NO.		MATERIAL		FINISH . REMARKS		1		PHOSPHOR BRONZE		TIN PLATING 1 μm MIN			
UNITS		SCALE		COUNT		DESCRIPTION OF REVISIONS		DESIGNED		CHECKED		DATE	
mm		10:1		△									
 HIROSE ELECTRIC CO., LTD.		APPROVED : KI. AKIYAMA		14. 04. 26		DRAWING NO.		EDC3-352029-00					
		CHECKED : KI. AKIYAMA		14. 04. 26		PART NO.		DF62-EP30PC					
		DESIGNED : TS. KUMAZAWA		14. 04. 25		CODE NO.		CL544-0577-3-00					
		DRAWN : TS. KUMAZAWA		14. 04. 25									