

MATERIALS AND FINISHES

BODY SEE TABLE  
 PLATED SEE TABLE

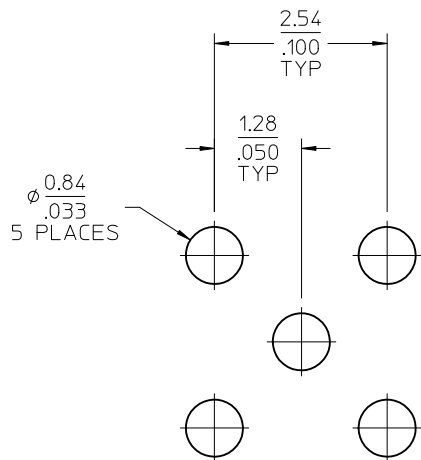
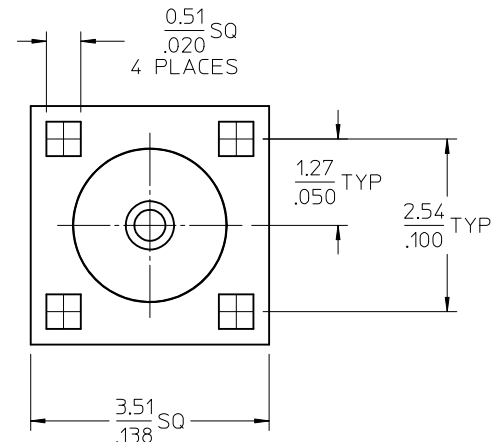
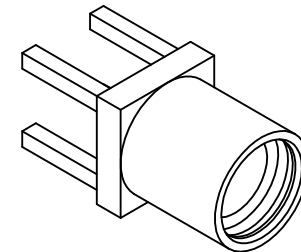
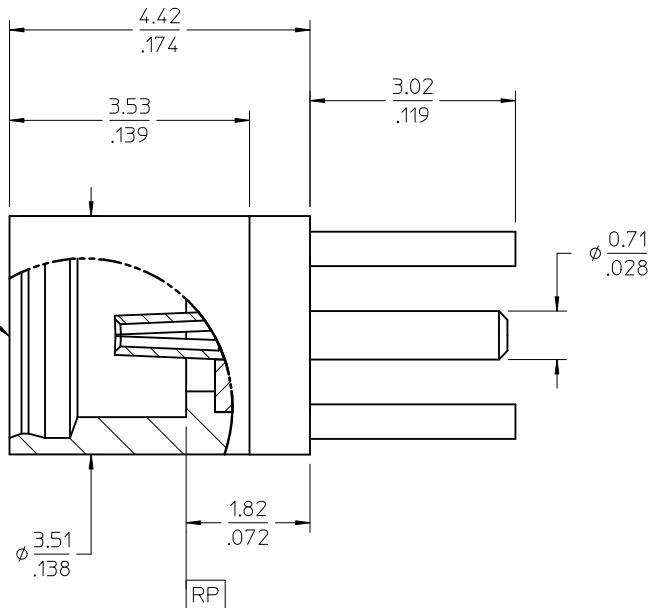
CENTER CONTACT BERYLLIUM COPPER  
 PLATED GOLD

INSULATOR TEFLON / WHITE

NOTE  
 PART # 73415-1473 IS

**(NON-MAGNETIC)**

MMCX JACK  
 INTERFACE



SUGGESTED PCB LAYOUT

73415-1475	P/N 73415-1471 WITH TAPE AND REEL	BRASS/GOLD(PER COMMERCIAL REQUIREMENT)
73415-1474	TRAY	BRASS/GOLD(PER COMMERCIAL REQUIREMENT)
73415-1473	BULK	BeCu/GOLD (NON MAGNETIC)
73415-1472	P/N 73415-1471, ONE PER BAG	BRASS/GOLD(PER COMMERCIAL REQUIREMENT)
73415-1471	BULK	BRASS/GOLD(PER COMMERCIAL REQUIREMENT)
73415-1470	BULK	BRASS/GOLD(PER MILITARY REQUIREMENT)
CECC 22 340	INTERFACE	
PS-89675-1920	ELECTRO/MECH PER.	
SPECIFICATION	DESCRIPTION	
PART NO.	PACKAGING	MATERIAL/PLATING

CHG: PS WAS -1910  
 INTERFACE  
 SPEC WAS  
 ES-73599-0000-016

EC NO: URF2012-0032  
 2011/07/21  
 DRWN: JWIENER  
 2011/07/21  
 CHKD: SSS  
 2011/07/21  
 APPR: JWIENER  
 2011/07/22

DESCRIPTION

QUALITY SYMBOLS

REVISIONS

B8

GENERAL TOLERANCES (UNLESS SPECIFIED)

	mm	INCH
4 PLACES	± .005	± .0002
3 PLACES	± .003	± .0001
2 PLACES	± .002	± .00008
1 PLACE	± .001	± .00004

ANGULAR ± 2°

DRAFT WHERE APPLICABLE  
 MUST REMAIN  
 WITHIN DIMENSIONS

DIMENSION STYLE  
**MM/IN**

SCALE

DESIGN UNITS  
**METRIC**

THIRD ANGLE PROJECTION

DRAWN BY DATE  
 TEF 2000/01/14

CHECKED BY DATE  
 TEF 2000/01/14

APPROVED BY DATE  
 GMH 2000/01/14

MATERIAL NO.  
**SEE TABLE**

SIZE  
**C**

TITLE  
**MMCX JACK, PCB MOUNT  
 50 OHMS  
 MMCX-J/PCB**

MOLEX INCORPORATED

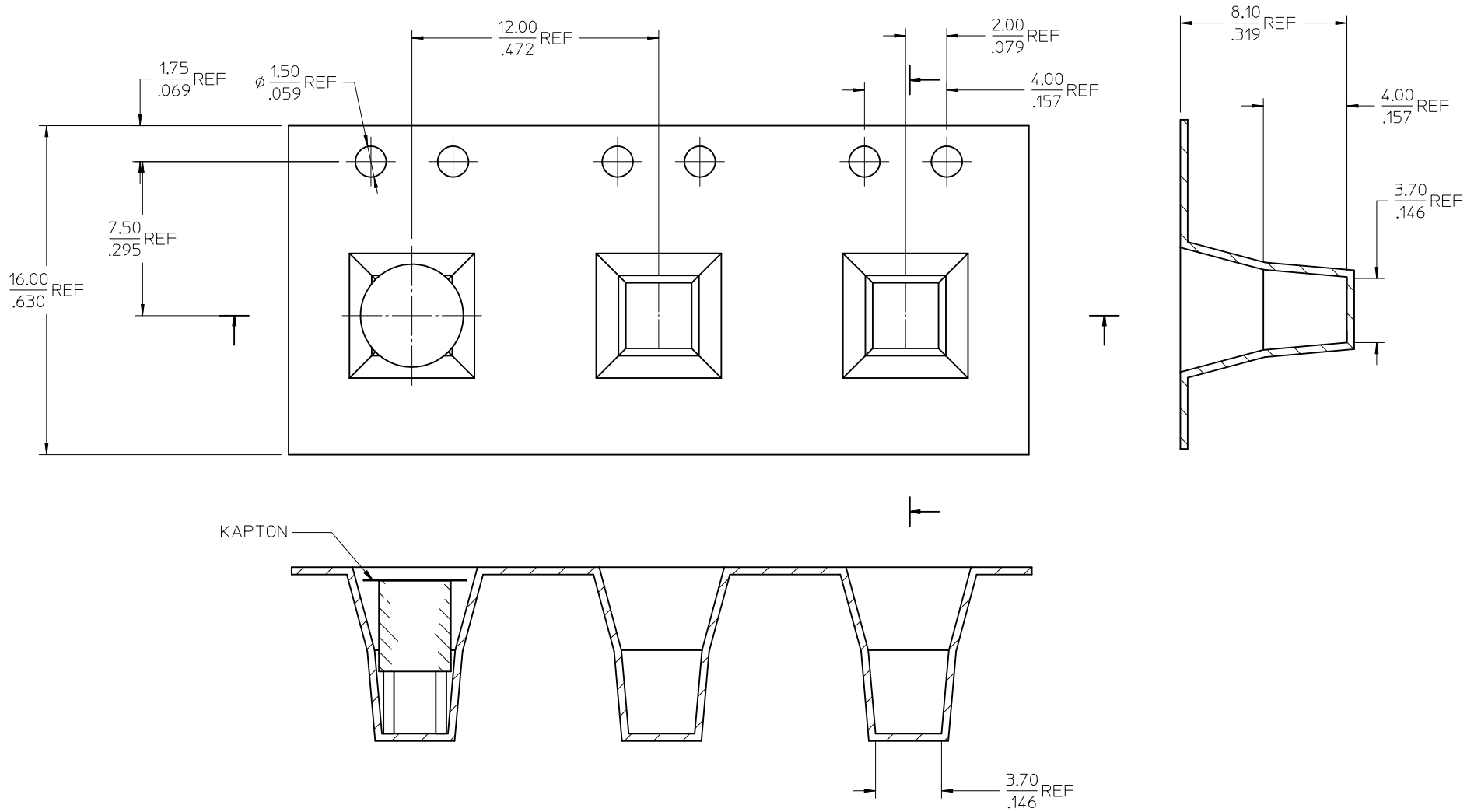
DOCUMENT NO.  
**SD-73415-147**

SHEET NO.  
**1 OF 3**

THIS DRAWING CONTAINS INFORMATION THAT IS PROPRIETARY TO MOLEX INCORPORATED AND SHOULD NOT BE USED WITHOUT WRITTEN PERMISSION

NOTE

DIMENSIONS ARE PROVIDED FOR REFERENCE ONLY



KAPTON

CHG: SEE SHEET 1

EC NO: URF2012-0032  
 2011/07/21  
 DRWN:JIENER  
 2011/07/21  
 CHKD:SS  
 2011/07/21  
 APPR:JIENER  
 2011/07/21

DESCRIPTION

QUALITY SYMBOLS

▽=0

▽=0

GENERAL TOLERANCES (UNLESS SPECIFIED)

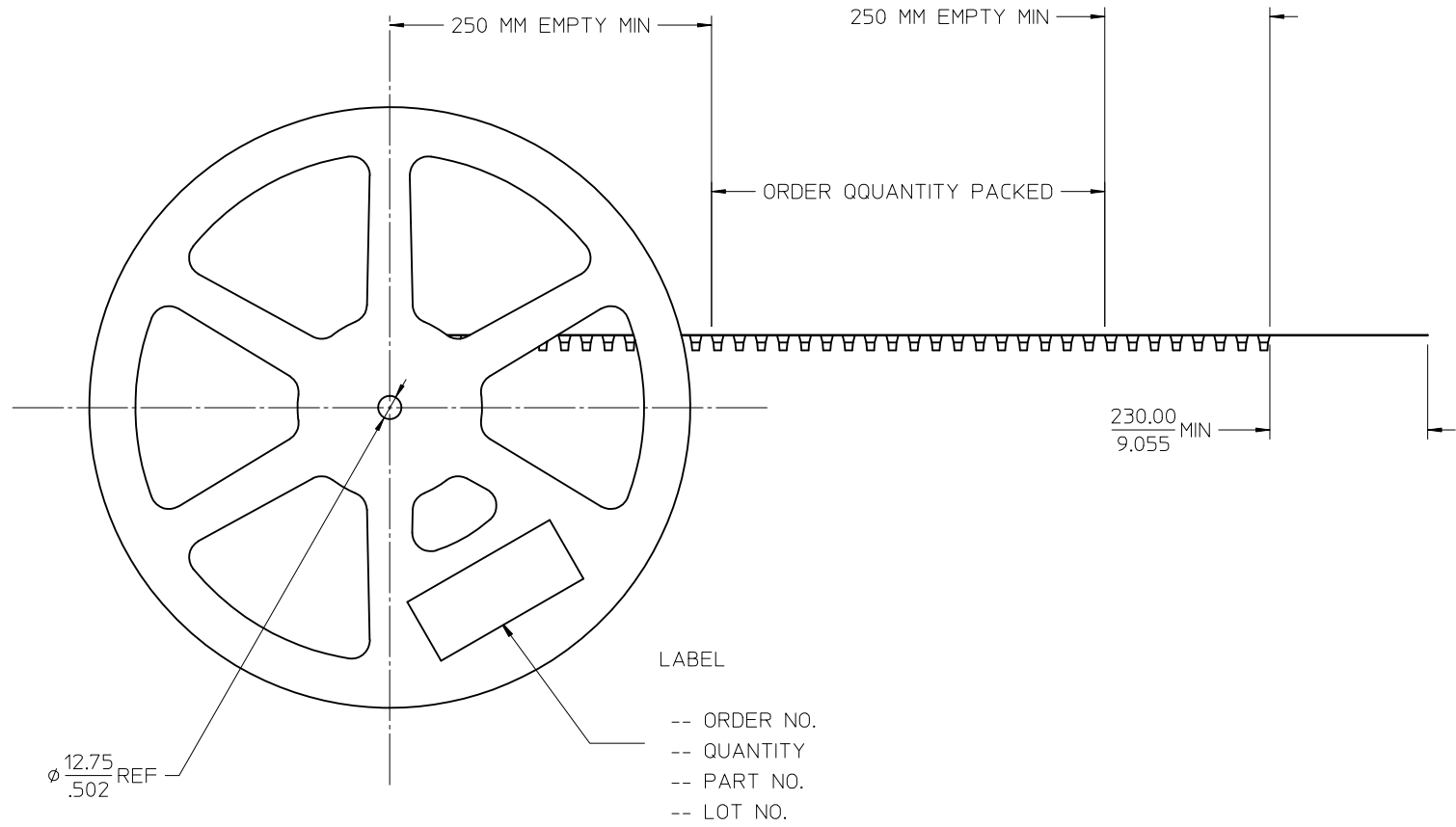
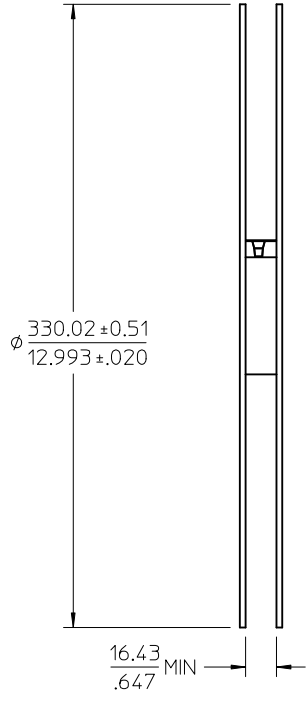
	mm	INCH
4 PLACES	± .010	± .0004
3 PLACES	± .015	± .0006
2 PLACES	± .020	± .0008
1 PLACE	± .030	± .0012

DRAFT WHERE APPLICABLE MUST REMAIN WITHIN DIMENSIONS

DIMENSION STYLE		SCALE	
MM/IN		METRIC	
DRAWN BY	DATE	TITLE	
TEF	2000/01/14	MMCX JACK, PCB MOUNT	
CHECKED BY	DATE	50 OHMS	
TEF	2000/01/14	MMCX-J/PCB	
APPROVED BY	DATE		
GMH	2000/01/14		
MATERIAL NO.	DOCUMENT NO.		
SEE TABLE	SD-73415-147		
SIZE			
C			

DESIGN UNITS	THIRD ANGLE PROJECTION
METRIC	THIRD ANGLE PROJECTION
<b>MOLEX INCORPORATED</b>	
SHEET NO.	
2 OF 3	

13" REEL SIZE



LABEL  
 -- ORDER NO.  
 -- QUANTITY  
 -- PART NO.  
 -- LOT NO.

<b>CHG: SEE SHEET 1</b> EC NO: URF2012-0032 DRWN: JWIENER CHKD: SSS APPR: JWIENER	2011/07/21	2011/07/21
	2011/07/21	2011/07/21
	2011/07/21	2011/07/21
	2011/07/21	2011/07/21
REV	DESCRIPTION	
B8		

QUALITY SYMBOLS ▽=0 ▽=0	GENERAL TOLERANCES (UNLESS SPECIFIED)	
	mm	INCH
	4 PLACES	± --- ± ---
	3 PLACES	± --- ± ---
	2 PLACES	± --- ± ---
	1 PLACE	± --- ± ---
	ANGULAR ± 2 °	
DRAFT WHERE APPLICABLE MUST REMAIN WITHIN DIMENSIONS		

DIMENSION STYLE <b>MM/IN</b>	
DRAWN BY	DATE
TEF	2000/01/14
CHECKED BY	DATE
TEF	2000/01/14
APPROVED BY	DATE
GMH	2000/01/14
MATERIAL NO.	DOCUMENT NO.
SEE TABLE	SD-73415-147
SIZE	
C	

SCALE	DESIGN UNITS	THIRD ANGLE PROJECTION
	METRIC	
TITLE <b>MMCX JACK, PCB MOUNT</b> <b>50 OHMS</b> <b>MMCX-J/PCB</b>		
MOLEX INCORPORATED		SHEET NO. <b>3 OF 3</b>
THIS DRAWING CONTAINS INFORMATION THAT IS PROPRIETARY TO MOLEX INCORPORATED AND SHOULD NOT BE USED WITHOUT WRITTEN PERMISSION		