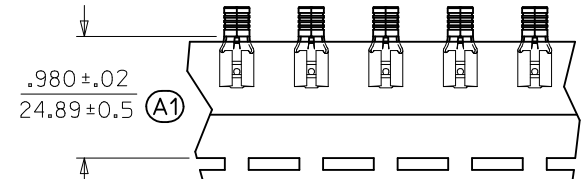
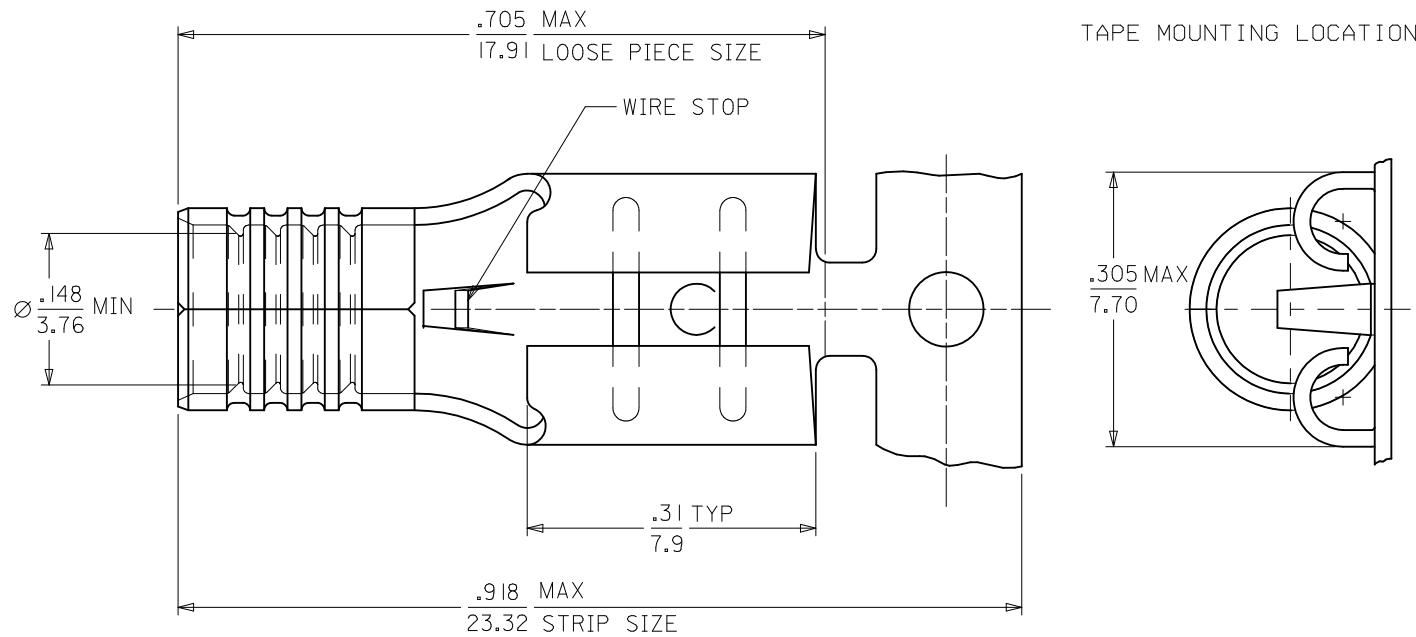


MATERIAL NUMBER	ENGINEERING NUMBER	PACKAGING
I90160069	C-1143	LOOSE PIECE
I90160073	CZ-1143	STRIP
I90160070	C-1143T	TAPE



TAPE MOUNTING LOCATION



SALES DRAWING

NOTES:  
 1. MATERIAL: BRASS (A1)  
 PLATING: MATTE TIN  
 (A1) 2. PARTS ARE ROHS COMPLIANT.

CORRECT MATERIAL EC NO: WNA2011-0458 DRW: HETHRODAHL 2011/05/23 CHKD: JMAGNEIL 2011/05/23 APPR: JMAGNEIL 2011/07/05	QUALITY SYMBOLS	GENERAL TOLERANCES (UNLESS SPECIFIED)	DIMENSION STYLE	SCALE	DESIGN UNITS	THIRD ANGLE PROJECTION	
	▽=0 ▽7=0	mm INCH	IN/MM	---	INCH		
		4 PLACES ± --- ± --- 3 PLACES ± --- ± .005 2 PLACES ± 0.13 ± .01 1 PLACE ± 0.25 ± ---	DRAWN BY DATE BRE 2002/07/23	TITLE	QUICK DISCONNECT RECEPTACLE FOR 12-10 AWG .250 X .032 TAB SIZE MOLEX INCORPORATED		
		ANGULAR ± ---°	CHECKED BY DATE HEB 2002/07/23				
	DRAFT WHERE APPLICABLE MUST REMAIN WITHIN DIMENSIONS	MATERIAL NO.	APPROVED BY DATE	DOCUMENT NO.	SHEET NO.		
A1		SEE CHART		SD-19016-002	1 OF 1		