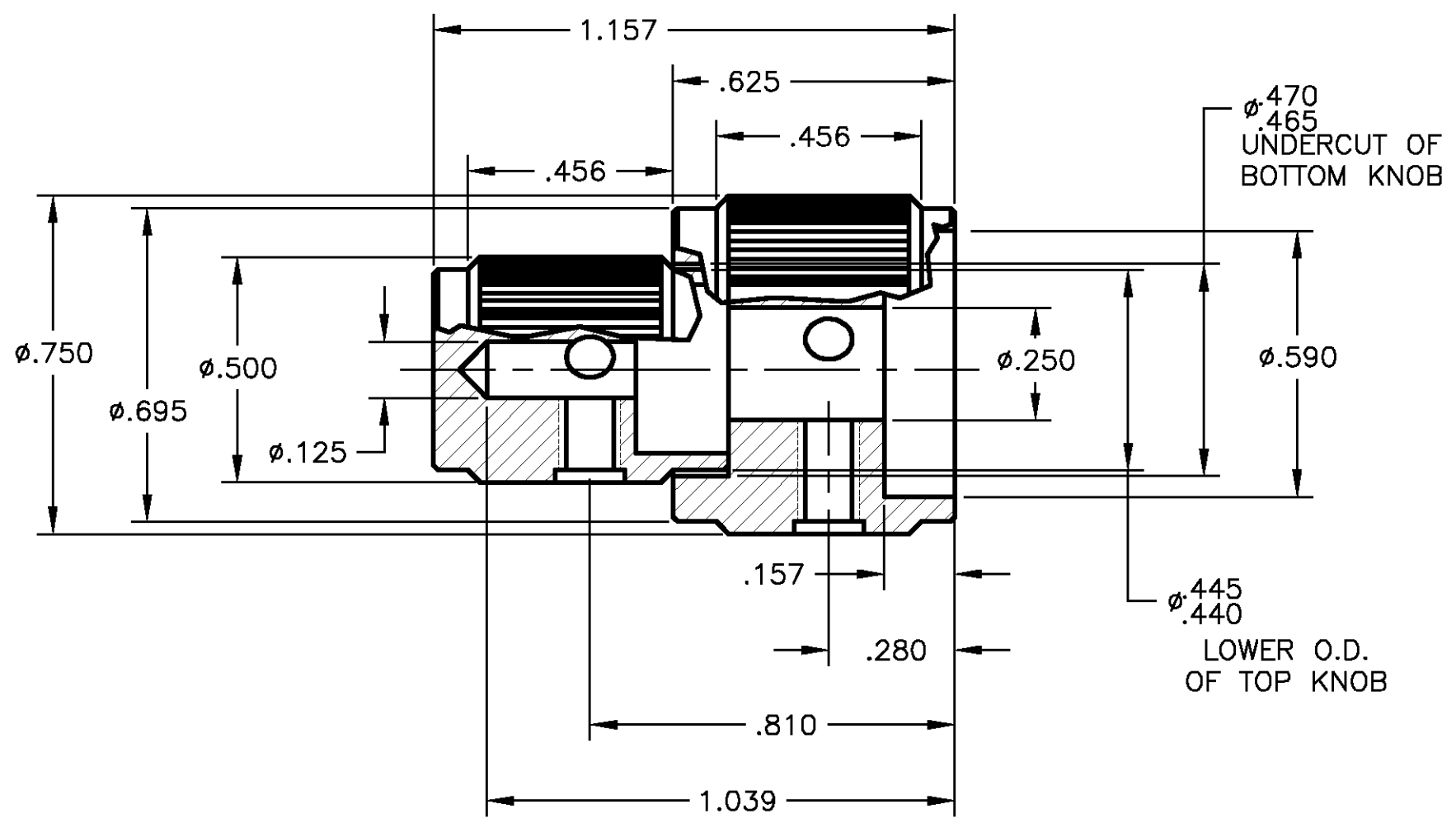
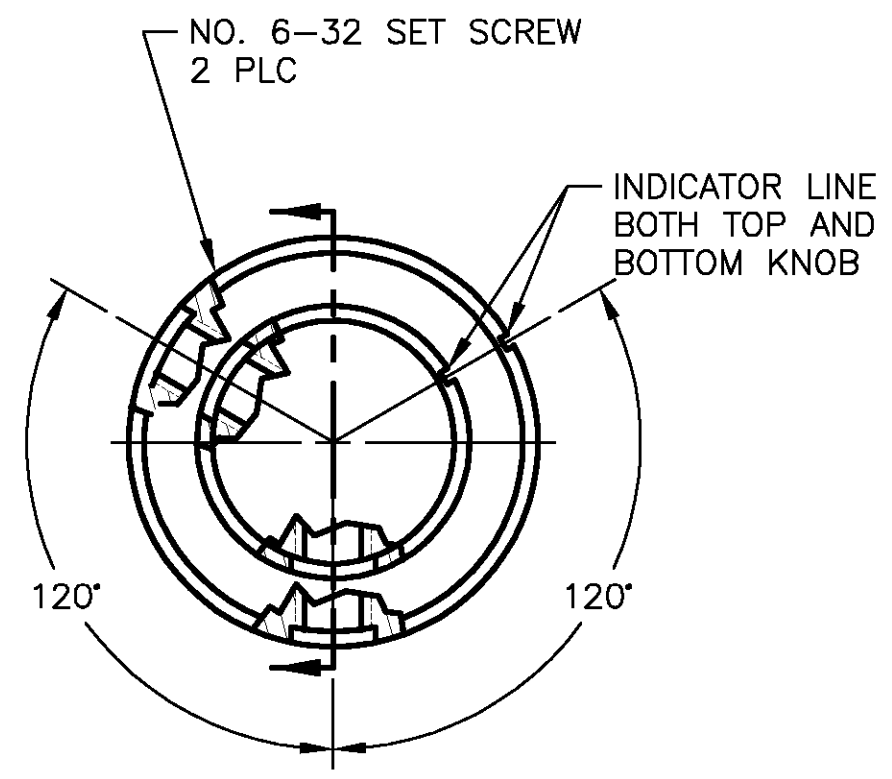


LOC	DIST	REVISIONS					
AD	00	P	LTR	DESCRIPTION	DATE	DWN	APVD
			A	REV PER EC OG3C-340-02	03DEC02	MB	MZ



- 1 KNOB: ALUMINUM; SET SCREWS: STAINLESS STEEL
- 2 FINISH: ANODIZED - SEE TABLE
- 3. WAS DRAWING NUMBER 80257

WHITE LACQUER	BLACK	KN5700B1/4	5-1437622-7
BLACK LACQUER	NATURAL	KN5700A1/4	5-1437622-6
INDICATOR LINE	FINISH	MODEL NUMBER	PART NUMBER
2 COLOR			

THIS DRAWING IS A CONTROLLED DOCUMENT.		DWN M.BINNER	03DEC02	Tyco Electronics Corporation Harrisburg, PA 17105	
DIMENSIONS: INCHES		CHK M.ZITTO		NAME	
		APVD M.ZITTO		KNOB, STRAIGHT KNURL HAIRLINE INDICATOR (KN-5700)	
TOLERANCES UNLESS OTHERWISE SPECIFIED:		PRODUCT SPEC		SIZE	CAGE CODE
0 PLC ± -	1 PLC ± -	APPLICATION SPEC		A3	00779
2 PLC ± -	3 PLC ± .008	WEIGHT		DRAWING NO	
4 PLC ± -	ANGLES ± -			C-5-1437622-6	
MATERIAL	FINISH	CUSTOMER DRAWING		RESTRICTED TO	
1	2			SCALE	SHEET
				3:1	1 OF 1
				REV	A