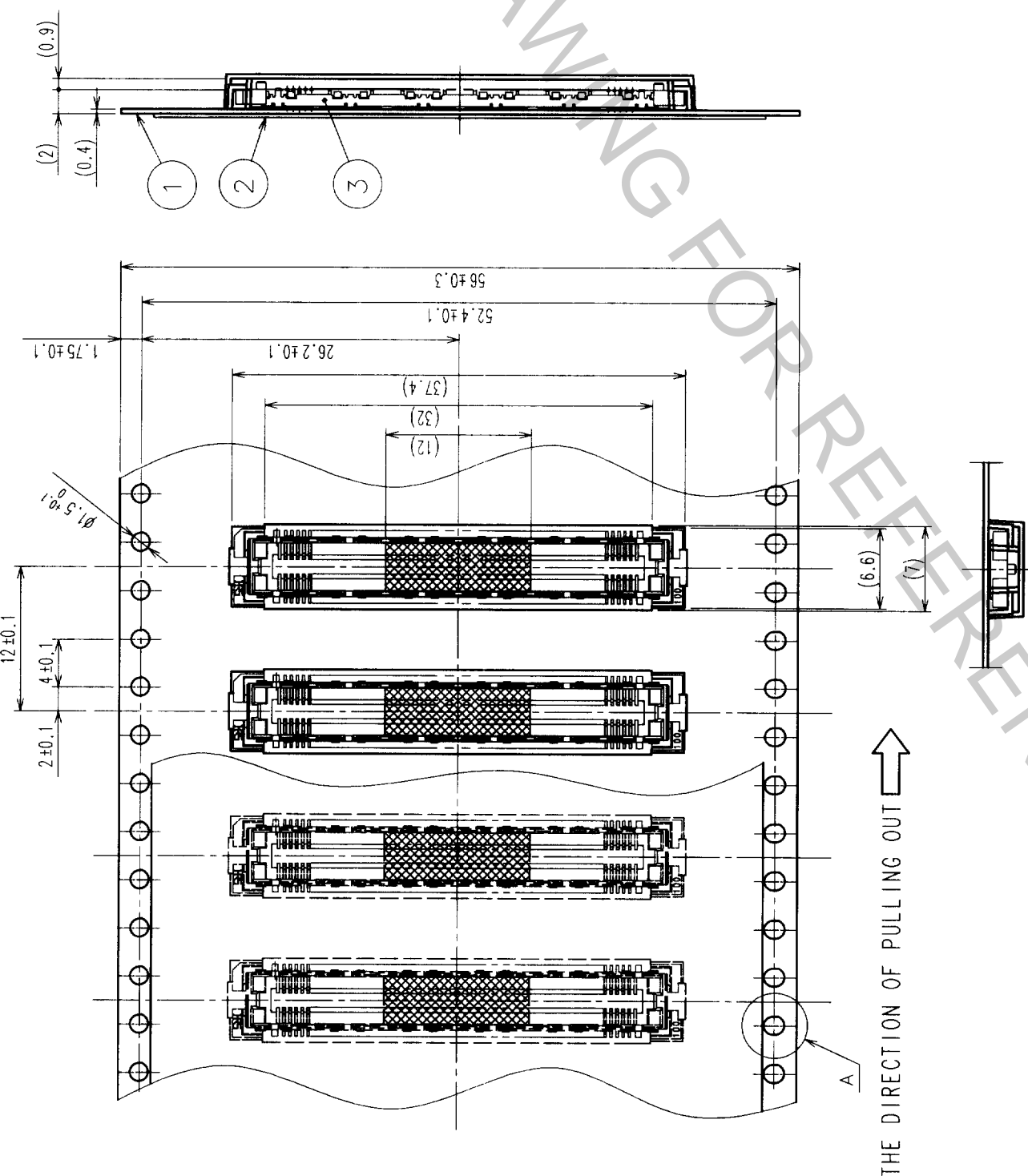
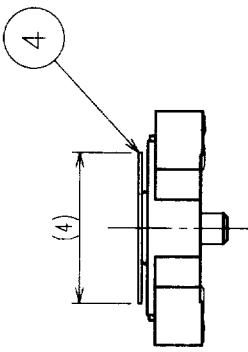


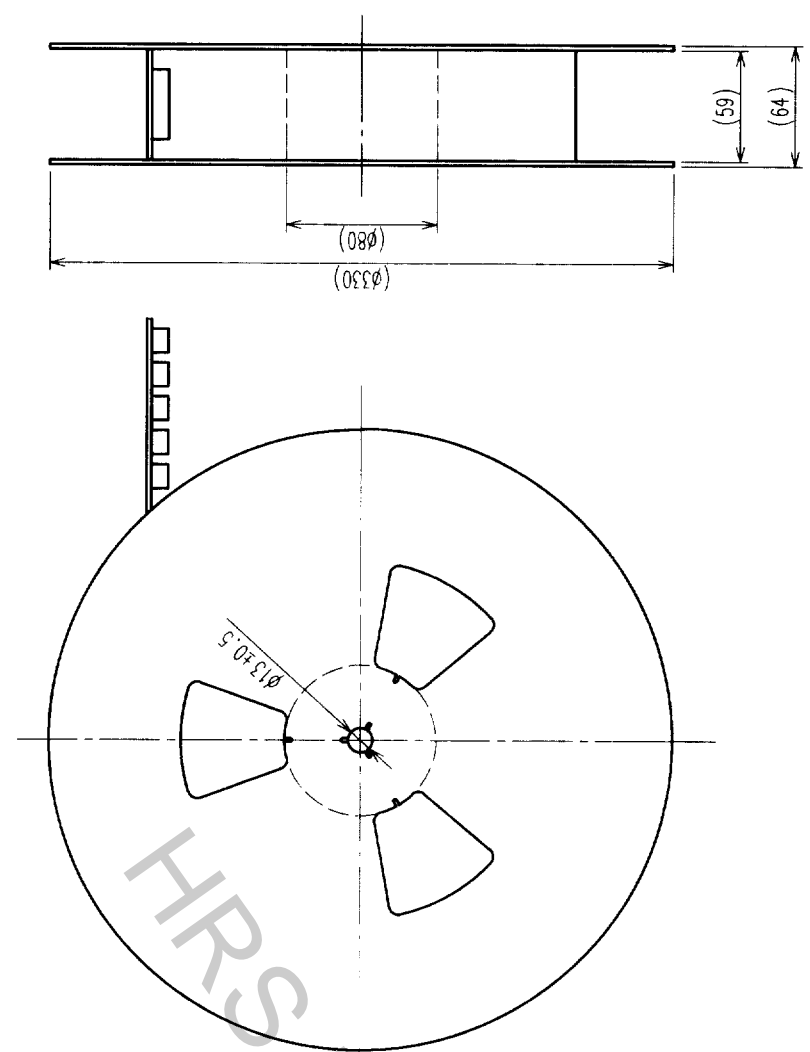
COUNT	DESCRIPTION OF REVISIONS	BY	CHKD	DATE	COUNT	DESCRIPTION OF REVISIONS	BY	CHKD	DATE
1					1				
2					2				
3					3				
4					4				
5					5				
6					6				
7					7				
8					8				



DETAIL FOR TAPE PICKUP (5:1)



REELED DIMENSION (Free)



- NOTES 1 REEL: 1000 CONNECTORS.
- 2 MINIMUM 10 COMPARTMENTS FROM BOTH REEL ENDS REMAIN EMPTY.
- 3 THIS PRODUCT HAS NO POLARITY TO TAPE AND REEL PACKAGING.

2	PET	TOP COVER TAPE	4	POLYIMIDE	(TAP FOR VACUUM PICKUP)
1	PS	EMBOSSED CARRIER TAPE	3	(CONNECTOR)	
NO.	MATERIAL	FINISH, REMARKS	NO.	MATERIAL	FINISH, REMARKS
CODE NO. (OLD)	CL		DESIGNED	CHECKED	APPROVED
			RELEASED		
DRAWING FOR PACKING		DRAWN		DESIGNED	
SCALE 2:1		UNITS ITT		APPROVED	
DRAWING NO. EDC3-152118-02		PART NO. FX11LA-116S-SV(22)		APPROVED	
UNITS		CODE NO. CL573-0144-1-22		RELEASED	
HRS HIROSE ELECTRIC CO., LTD		HRS		99.10.28	
				99.10.28	
				99.10.28	

TO	
PCK	