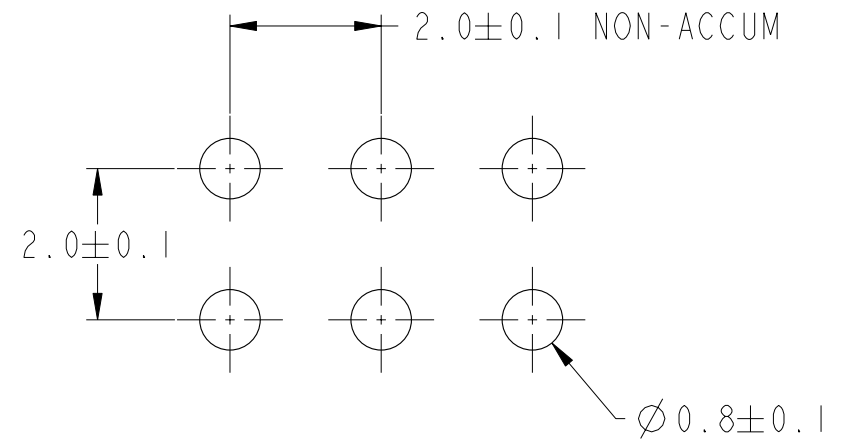
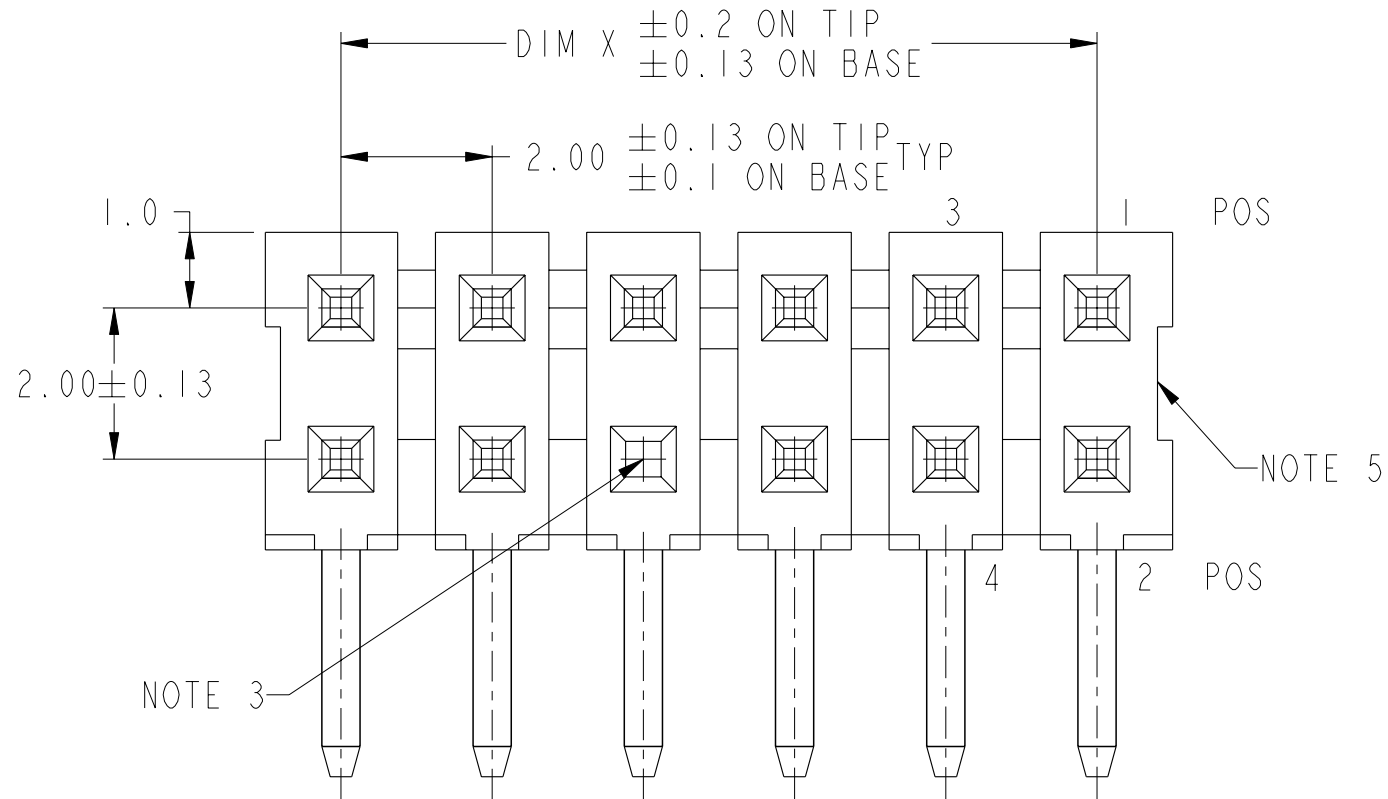
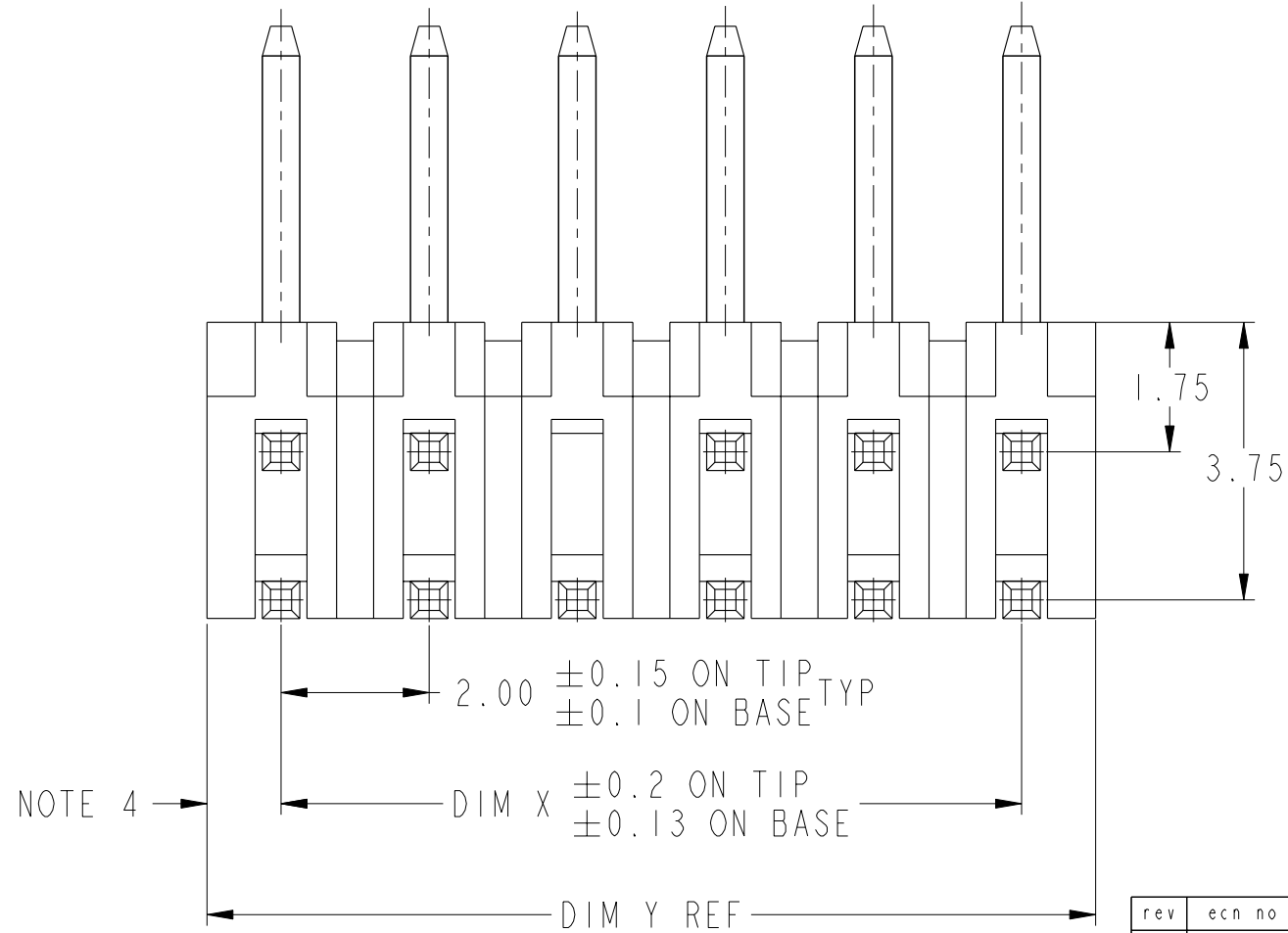
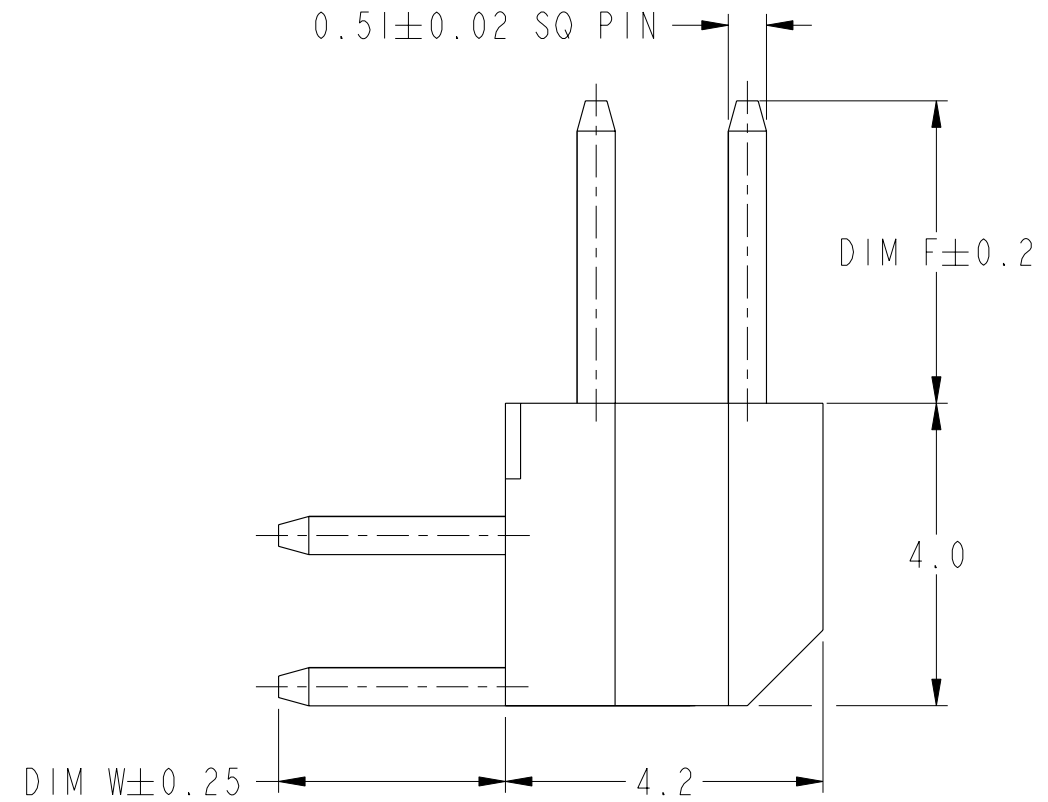




Copyright FCI.



RECOMMENDED MOUNTING HOLE LAYOUT



CONFIDENTIAL

rev	ecn no	dr	date
L	S8-243	BSL	1998-11-02
M	S90075	BSL	1999-04-30
N	S90177	BSL	1999-09-27
P	S10062	JPEH	2001-04-25
R	S04-0278	KBM	2005-01-07
S	S06-0243	KHL	2006-07-20
T	S10-0205	PR	2010-02-05

www.fciconnect.com		surface ISO 1302	tolerance std ISO 406 ISO 1101	projection MM
		TOLERANCES UNLESS OTHERWISE SPECIFIED		
Dr	JPEH	2001-04-25	ANGULAR	0.X ±
Eng	JPEH	2001-04-25	LINEAR	0.XX ±0.25
Chr	KH LEE	2010-02-05	0° ±°	0.XXX ±
Appr	JOEY NG	2010-02-05	Product family	MINITEK Spec ref -
FCI		MINITEK II		dwg no 90516
		R/A HEADER HTP		Rev. T
catalog no		CUSTOMER		sheet 1 of 3

REV F - 2006-04-17

PRODUCT NO.	POS	POL. POS	DIM X	DIM Y	DIM F	DIM W	PLATING	HSG COLOR
90516-001	2X22	20	42	44	4.0	2.5	0.38µm MIN GXT	BEIGE
-002	2X3	6	4	6	4.0	3.0	0.76µm MIN GXT	BEIGE
-003	2X10	8	18	20	4.0	3.0	0.76µm MIN GXT	BEIGE
-004	2X12	8	22	24	4.0	3.0	0.76µm MIN GXT	BEIGE
-005	2X6	8	10	12	4.0	3.0	0.76µm MIN GXT	BEIGE
-006	2X10	3	18	20	4.0	2.45	0.38µm MIN GXT	BEIGE
-007	2X6	-	10	12	3.4	2.5	0.76µm MIN GXT	BEIGE
-008	2X6	2	10	12	4.0	2.5	0.76µm MIN GXT	BEIGE
-009	2X3	-	4	6	4.0	2.5	0.76µm MIN GXT	BEIGE
-010	2X10	-	18	20	4.0	2.5	0.76µm MIN GXT	BEIGE
-011	2X2	3	2	4	4.0	2.5	0.76µm MIN GXT	BEIGE
-012	2X2	1	2	4	4.0	3.0	0.76µm MIN GXT	BEIGE
-013	2X5	3,8	8	10	4.0	3.0	0.76µm MIN GXT	BEIGE
-014	2X15	20	28	30	4.0	3.0	0.38µm MIN Au	BEIGE
-015	2X3	-	4	6	4.0	2.0	0.2µm MIN Au	BEIGE
-016	2X15	-	28	30	4.0	2.0	0.2µm MIN Au	BEIGE
-017	2X4	-	6	8	4.0	2.5	0.76µm MIN Au	BEIGE
-018	2X5	-	8	10	4.0	2.5	0.76µm MIN Au	BEIGE
-019	2X23	5,6,11,12,17,18,23,24 29,30,35,36,41,42	44	46	4.0	3.0	0.76µm MIN GXT	BEIGE
-020	2X3	4	4	6	4.0	2.5	0.76µm MIN Au	BEIGE
-021	2X4	4	6	8	4.0	2.5	0.76µm MIN Au	BEIGE
-022	2X5	5,6	8	10	4.0	3.0	0.76µm MIN GXT	BEIGE
-023	2X7	8	12	14	4.0	3.0	0.76µm MIN GXT	BEIGE
-024	2X7	8	12	14	4.0	3.0	0.38µm MIN GXT	BEIGE
-025	2X20	-	38	40	1.8	2.5	0.76µm MIN GXT	BLACK



Copyright FCI.

CONFIDENTIAL

www.fciconnect.com		surface <input checked="" type="checkbox"/> ISO 1302	tolerance std ISO 406 ISO 1101	projection	MM
TOLERANCES UNLESS OTHERWISE SPECIFIED					
Dr	JPEH	2001-04-25	ANGULAR	0.X	±-
Eng	JPEH	2001-04-25	LINEAR	0.XX	±0.25
Chr	KH LEE	2010-02-05	0° ±°	0.XXX	±-
Appr	JOEY NG	2010-02-05	Product family	MINITEK	Spec ref -
		MINITEK II		dwg no	90516
		R/A HEADER HTP			Rev. T
		catalog no		CUSTOMER	sheet 2 of 3

REV F - 2006-04-17

PRODUCT NO.	POS	POL. POS	DIM X	DIM Y	DIM F	DIM W	PLATING	HSG COLOR
90516-026	2X22	34	42	44	4.0	2.5	0.38μm MIN Au	BLACK
-027	2X22	34	42	44	4.0	3.0	0.38μm MIN Au	BLACK

NOTES

1. MATERIAL:

BODY : G.F. PCT UL 94V-0 COLOR REFER TO TABLE.

PIN : PHOSPHOR BRONZE

2. GENERAL TOLERANCE ±0.25

③ POLARISED POSITION REFER TO TABLE.

④ DIM 1.0 APPLIES TO MOLDED SIDE(S) ONLY. IF SIDE(S) ARE SAW, DIM 0.5 MIN APPLIES.

⑤ RECESS APPLIES TO MOLDED SIDE(S) ONLY.

6. PRODUCT DESCRIPTION CODE :

XXXXX-XXXLF



⑦ P/N:90516-XXXLF IS SAME AS P/N:90516-XXX. THE SUFFIX 'LF' IS ADDED JUST FOR EASY LEAD FREE IDENTIFICATION.

8. THE HOUSING WILL WITHSTAND EXPOSURE TO 255°C PEAK TEMPERATURE FOR 10 SECONDS IN A CONVECTION, INFRA-RED OR VAPOR PHASE REFLOW OVEN.

9. THE HOUSING WILL WITHSTAND EXPOSURE TO 260°C PEAK TEMPERATURE FOR 10 SECONDS IN A WAVE SOLDER APPLICATION WITH A 1.57MM MINIMUM THICK CIRCUIT BOARD.

10. THIS PRODUCT MEETS EUROPEAN UNION DIRECTIVES AND OTHER COUNTRY REGULATIONS AS DESCRIBED IN GS-22-008.

△ 11. A △ SYMBOL WILL BE NEXT TO ANY DIMENSION, VIEW OR NOTE WHICH HAS BEEN MODIFIED WITH THE CURRENT DRAWING REVISION.

CONFIDENTIAL

www.fciconnect.com			surface <input checked="" type="checkbox"/> ISO 1302	tolerance std ISO 406 ISO 1101	projection	MM
			TOLERANCES UNLESS OTHERWISE SPECIFIED			
Dr	JPEH	2001-04-25	ANGULAR	LINEAR	0.X	±-
Eng	JPEH	2001-04-25			0.XX	±0.25
Chr	KH LEE	2010-02-05	0°	±°	0.XXX	±-
Appr	JOEY NG	2010-02-05	Product family		MINITEK	Spec ref -
			title		MINITEK II	dwg no 90516
			R/A HEADER HTP			Rev. T
			catalog no		-	CUSTOMER sheet 3 of 3