

## MSTB 2,5/14-GF-5,08


Order No.: 1776621

The figure shows a 10-position version of the product

<http://eshop.phoenixcontact.de/phoenix/treeViewClick.do?UID=1776621>

Header, Nominal current: 12 A, Rated voltage (III/2): 320 V, Number of positions: 14, Pitch: 5.08 mm, Color: green, Metal surface: Sn, Assembly: Soldering

### Commercial data

|                          |   |
|--------------------------|---|
| GTIN (EAN)               |  |
| sales group              | E110  |
| Pack                     | 50 pcs.   |
| Customs tariff           | 85366990  |
| Catalog page information | Page 249 (CC-2009)  |

### Product notes

WEEE/RoHS-compliant since:  
01/01/2003



<http://www.download.phoenixcontact.com>  
Please note that the data given here has been taken from the online catalog. For comprehensive information and data, please refer to the user documentation. The General Terms and Conditions of Use apply to Internet downloads.

### Technical data

#### Dimensions / positions

|                     |          |
|---------------------|----------|
| Length              | 12 mm    |
| Pitch               | 5.08 mm  |
| Dimension a         | 66.04 mm |
| Number of positions | 14       |

|                |          |
|----------------|----------|
| Pin dimensions | 1 x 1 mm |
| Hole diameter  | 1.4 mm   |

**Technical data**

|                                     |                 |
|-------------------------------------|-----------------|
| Range of articles                   | MSTB 2,5/...-GF |
| Insulating material group           | IIIa            |
| Rated surge voltage (III/3)         | 4 kV            |
| Rated surge voltage (III/2)         | 4 kV            |
| Rated surge voltage (II/2)          | 4 kV            |
| Rated voltage (III/2)               | 320 V           |
| Rated voltage (II/2)                | 400 V           |
| Connection in acc. with standard    | EN-VDE          |
| Nominal current $I_N$               | 12 A            |
| Nominal voltage $U_N$               | 250 V           |
| Maximum load current                | 12 A            |
| Insulating material                 | PBT             |
| Inflammability class acc. to UL 94  | V0              |
| Nominal voltage, UL/CUL Use Group B | 250 V           |
| Nominal current, UL/CUL Use Group B | 12 A            |
| Nominal voltage, UL/CUL Use Group D | 300 V           |
| Nominal current, UL/CUL Use Group D | 10 A            |

**Certificates / Approvals**



Certification

CB, CSA, CUL, GL, GOST, RS, UL, VDE-PZI

**Accessories**

| Item | Designation | Description |
|------|-------------|-------------|
|------|-------------|-------------|

**Assembly**

|         |         |  |
|---------|---------|--|
| 1755477 | MSTB-BL | Keying cap, for forming sections, plugs onto header pin, green insulating material |
|---------|---------|--|

**Marking**

|         |                          |   |
|---------|--------------------------|---|
| 0804293 | SK 5,08/3,8:FORTL.ZAHLEN | Marker card, printed horizontally, self-adhesive, 12 identical decades marked 1-10, 11-20 etc. up to 91-(99)100, sufficient for 120 terminal blocks |
|---------|--------------------------|---|

**Plug/Adapter**

|         |         |  |
|---------|---------|--|
| 1734401 | CR-MSTB | Coding section, inserted into the recess in the header or the inverted plug, red insulating material |
|---------|---------|--|

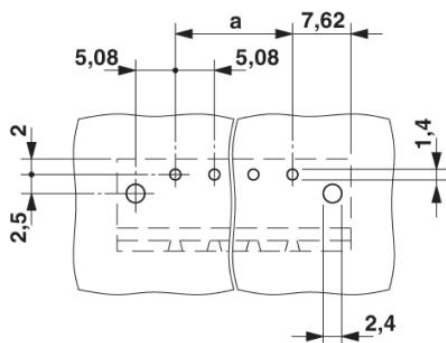
**Additional products**

| Item           | Designation                | Description  |
|----------------|----------------------------|--|
| <b>General</b> |                            |  |
| 1873320        | FKC 2,5/14-STF-5,08        | Plug component, Nominal current: 12 A, Rated voltage (III/2): 320 V, Number of positions: 14, Pitch: 5.08 mm, Color: green, Metal surface: Sn  |
| 1902424        | FKCT 2,5/14-STF-5,08       | Plug component, Nominal current: 12 A, Rated voltage (III/2): 320 V, Number of positions: 14, Pitch: 5.08 mm, Color: green, Metal surface: Sn  |
| 1874222        | FKCVR 2,5/14-STF-5,08      | Plug component, Nominal current: 12 A, Rated voltage (III/2): 320 V, Number of positions: 14, Pitch: 5.08 mm, Color: green, Metal surface: Sn  |
| 1873922        | FKCVW 2,5/14-STF-5,08      | Plug component, Nominal current: 12 A, Rated voltage (III/2): 320 V, Number of positions: 14, Pitch: 5.08 mm, Color: green, Metal surface: Sn  |
| 1777918        | FRONT-MSTB 2,5/14-STF-5,08 | Plug component, Nominal current: 12 A, Rated voltage (III/2): 320 V, Number of positions: 14, Pitch: 5.08 mm, Color: green, Metal surface: Sn  |
| 1778108        | MSTB 2,5/14-STF-5,08       | Plug component, Nominal current: 12 A, Rated voltage (III/2): 320 V, Number of positions: 14, Pitch: 5.08 mm, Color: green, Metal surface: Sn  |
| 1809857        | MSTBC 2,5/14-STZF-5,08     | Plug component, Nominal current: 12 A, Rated voltage (III/2): 320 V, Number of positions: 14, Pitch: 5.08 mm, Color: green, Metal surface: Sn, Corresponding female crimp contacts with current [A] and conductor cross section range [mm <sup>2</sup> ] data: 10A/MSTBC-MT 0,5-1,0 (3190564); 10A/MSTBC-MT 0,5-1,0 BA (3190645); 12A/MSTBC-MT 1,5-2,5 (3190551); 12A/MSTBC-MT 1,5-2,5 BA (3190658). BA = Bandkontakte |
| 1805411        | MSTBT 2,5/14-STF-5,08      | Plug component, Nominal current: 12 A, Rated voltage (III/2): 320 V, Number of positions: 14, Pitch: 5.08 mm, Color: green, Metal surface: Sn  |
| 1849202        | MSTBVK 2,5/14-STF-5,08     | Plug component, Nominal current: 12 A, Rated voltage (III/2): 320 V, Number of positions: 14, Pitch: 5.08 mm, Color: green, Metal surface: Sn, Assembly: DIN rail  |

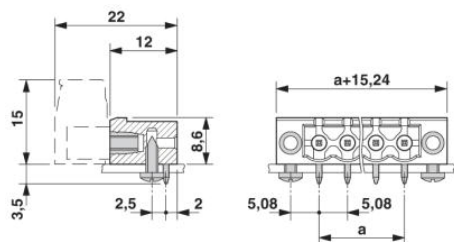
|         |                         |   |
|---------|-------------------------|---|
| 1835216 | MVSTBR 2,5/14-STF-5,08  | Plug component, Nominal current: 12 A, Rated voltage (III/2): 320 V, Number of positions: 14, Pitch: 5.08 mm, Color: green, Metal surface: Sn                     |
| 1835025 | MVSTBW 2,5/14-STF-5,08  | Plug component, Nominal current: 12 A, Rated voltage (III/2): 320 V, Number of positions: 14, Pitch: 5.08 mm, Color: green, Metal surface: Sn                     |
| 1883860 | QC 1/14-STF-5,08        | Plug component, Nominal current: 10 A, Rated voltage (III/2): 630 V, Number of positions: 14, Pitch: 5.08 mm, Color: green, Metal surface: Sn                     |
| 1859292 | UMSTBVK 2,5/14-STF-5,08 | Plug component, Nominal current: 12 A, Rated voltage (III/2): 320 V, Number of positions: 14, Pitch: 5.08 mm, Color: green, Metal surface: Sn, Assembly: DIN rail |

**Diagrams/Drawings**

Drilling plan/solder pad geometry



Dimensioned drawing



**Address**

PHOENIX CONTACT Deutschland GmbH  
Flachmarktstr. 8  
32825 Blomberg, Germany  
Phone +49 5235 3 12000  
Fax +49 5235 3 41200  
<http://www.phoenixcontact.de>



© 2010 Phoenix Contact  
Technical modifications reserved;