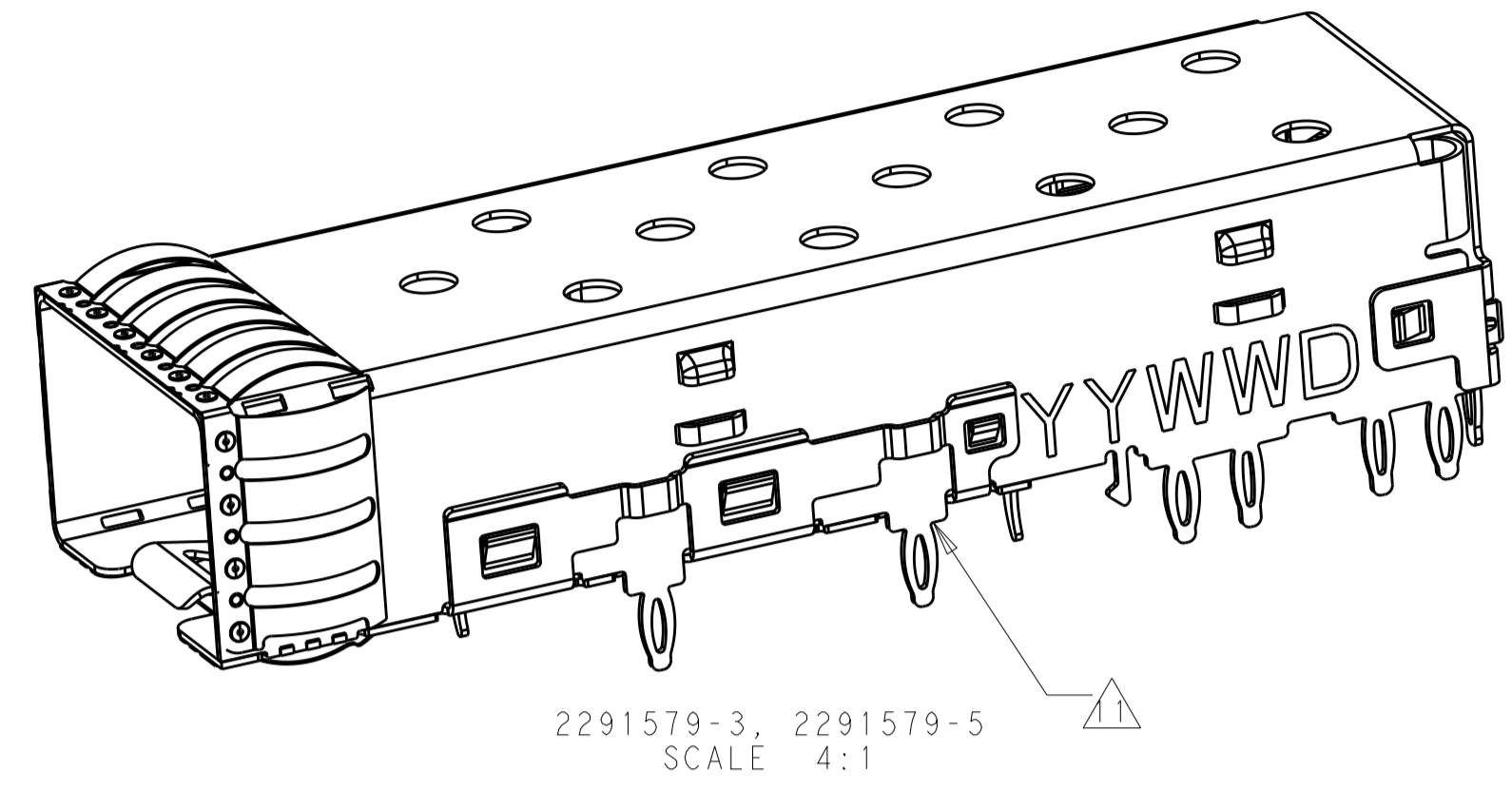
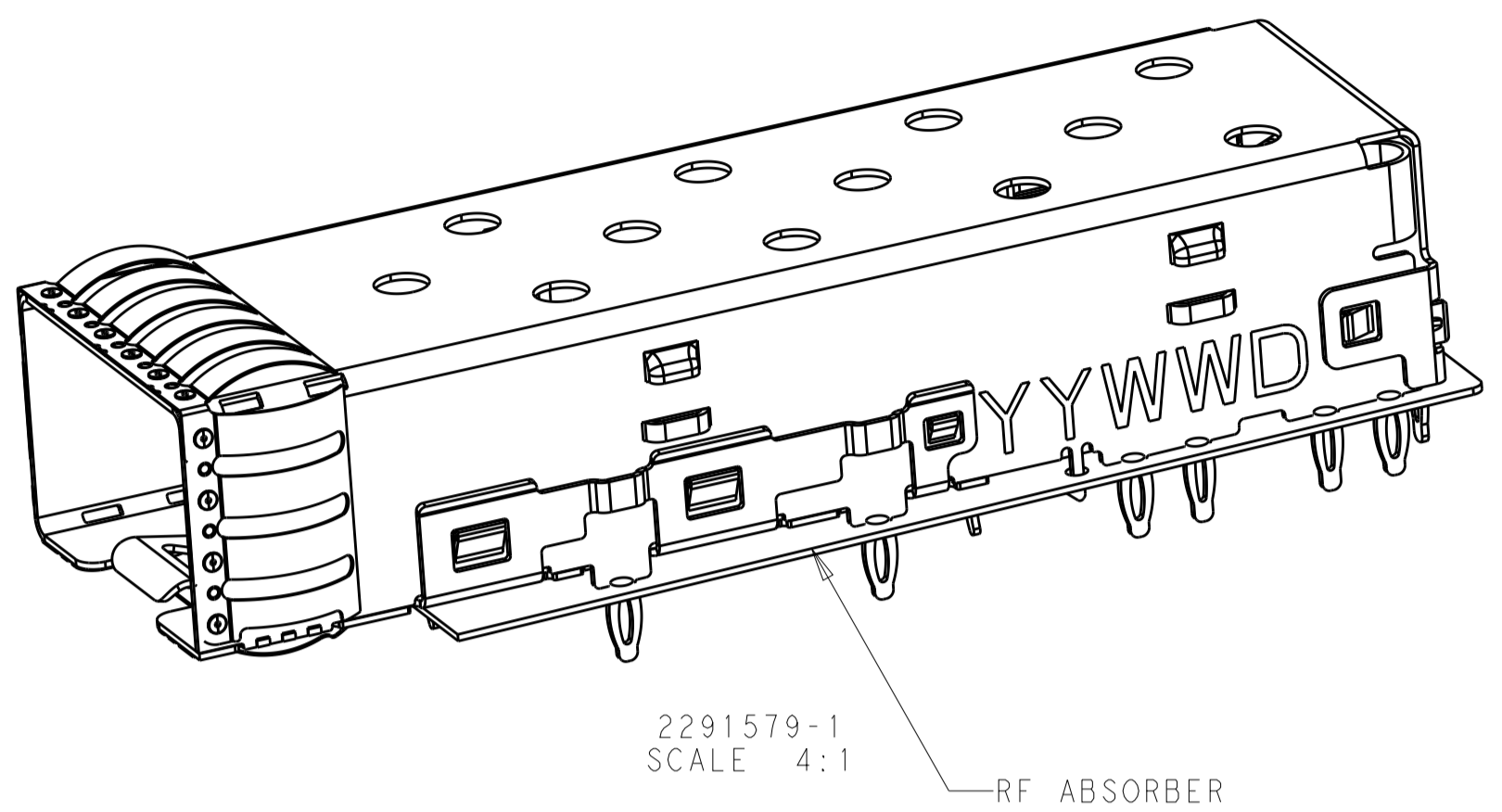
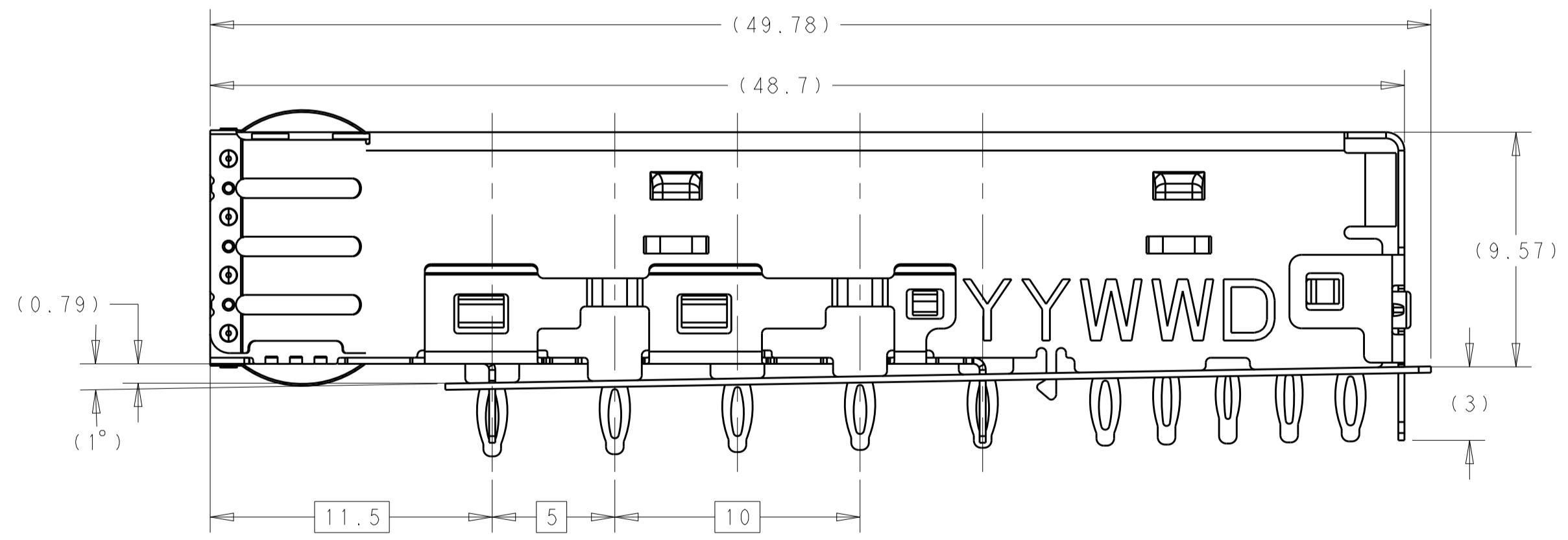
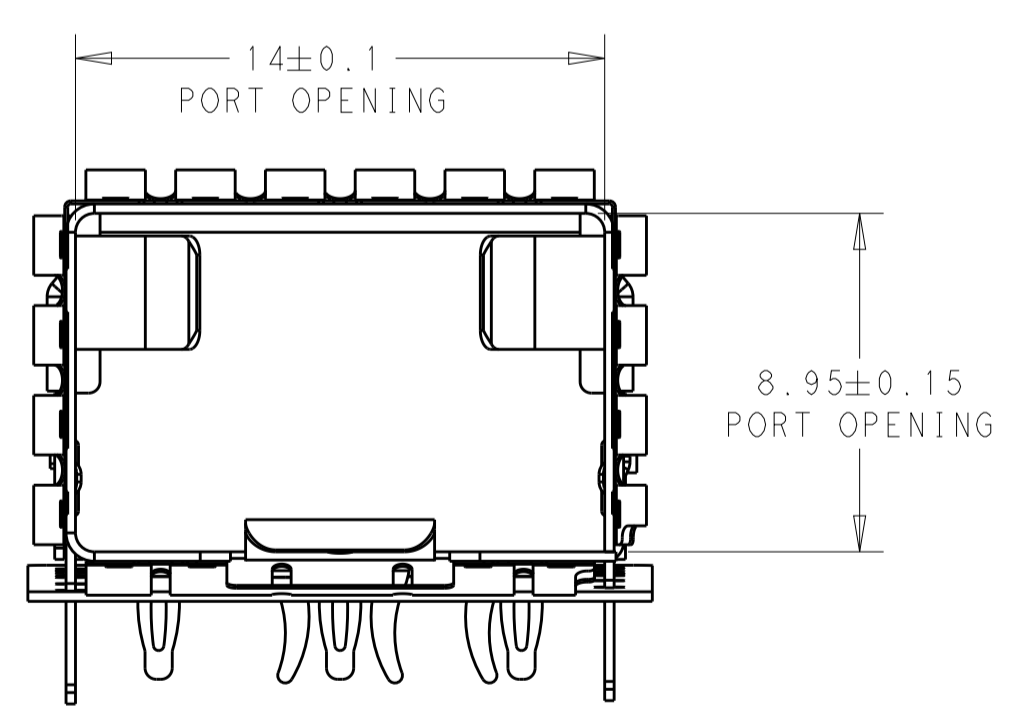
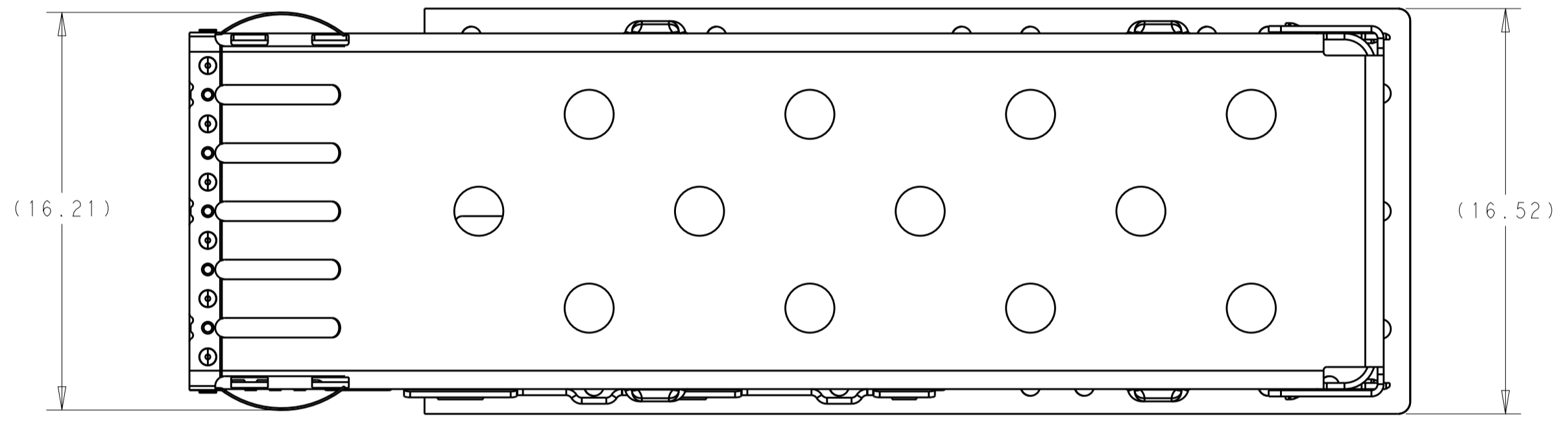


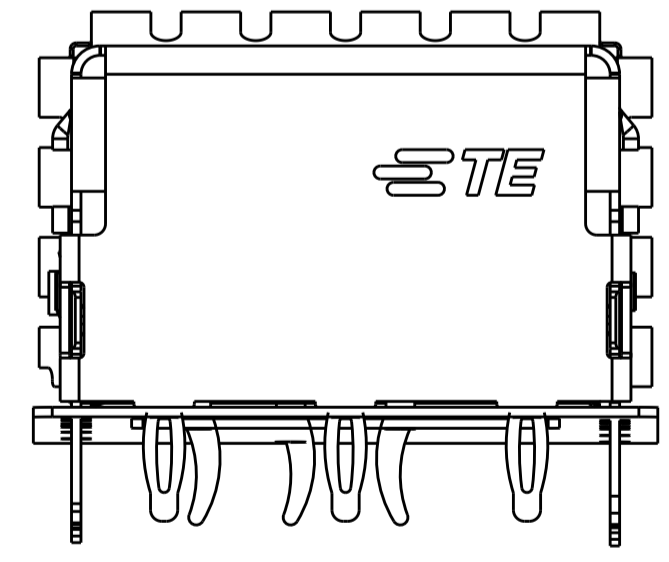
REVISIONS				
P.	LTN	DESCRIPTION	DATE	APVD
A		INITIAL RELEASE	28SEP2016	LL SH
B		ECR-17-018368 / ADD PN -5	18DEC2017	VL SH



- 1 MATERIAL:
 CAGE ASSEMBLY - 0.25mm THICK NICKEL SILVER ALLOY.
 EMI SPRINGS - COPPER ALLOY.
 PCB GASKET - RF ABSORBER.
- 2 FINISH
 EMI SPRINGS - 0.8um MIN NICKEL, NON-PLATED EDGES PERMISSIBLE.
- 3. MATES WITH SFP MSA COMPLIANT TRANSCEIVERS.
- 4 PADS AND VIAS CHASSIS GROUND.
- 5 DATUM AND BASIC DIMENSION ESTABLISHED BY CUSTOMER.
- 6 REFERENCE APPLICATION SPEC. 114-13120, HOLE A, FOR RECOMMENDED DRILL HOLE DIAMETER AND PLATING THICKNESS.
- 7 REFERENCE APPLICATION SPEC. 114-13120, HOLE B, FOR RECOMMENDED DRILL HOLE DIAMETER AND PLATING THICKNESS.
- 8 REFERENCE APPLICATION SPEC. 114-13120, HOLE C, FOR RECOMMENDED DRILL HOLE DIAMETER AND PLATING THICKNESS.
- 9. MINIMUM PC BOARD THICKNESS:
 SINGLE SIDED = 1.50mm
- 10. CONTACT STANDOFF WILL PIERCE GASKET WHEN PROPERLY PRESSED INTO PCB.
- △ SPECIAL CUSTOMER APPLICATION, NO RF ABSORBER.



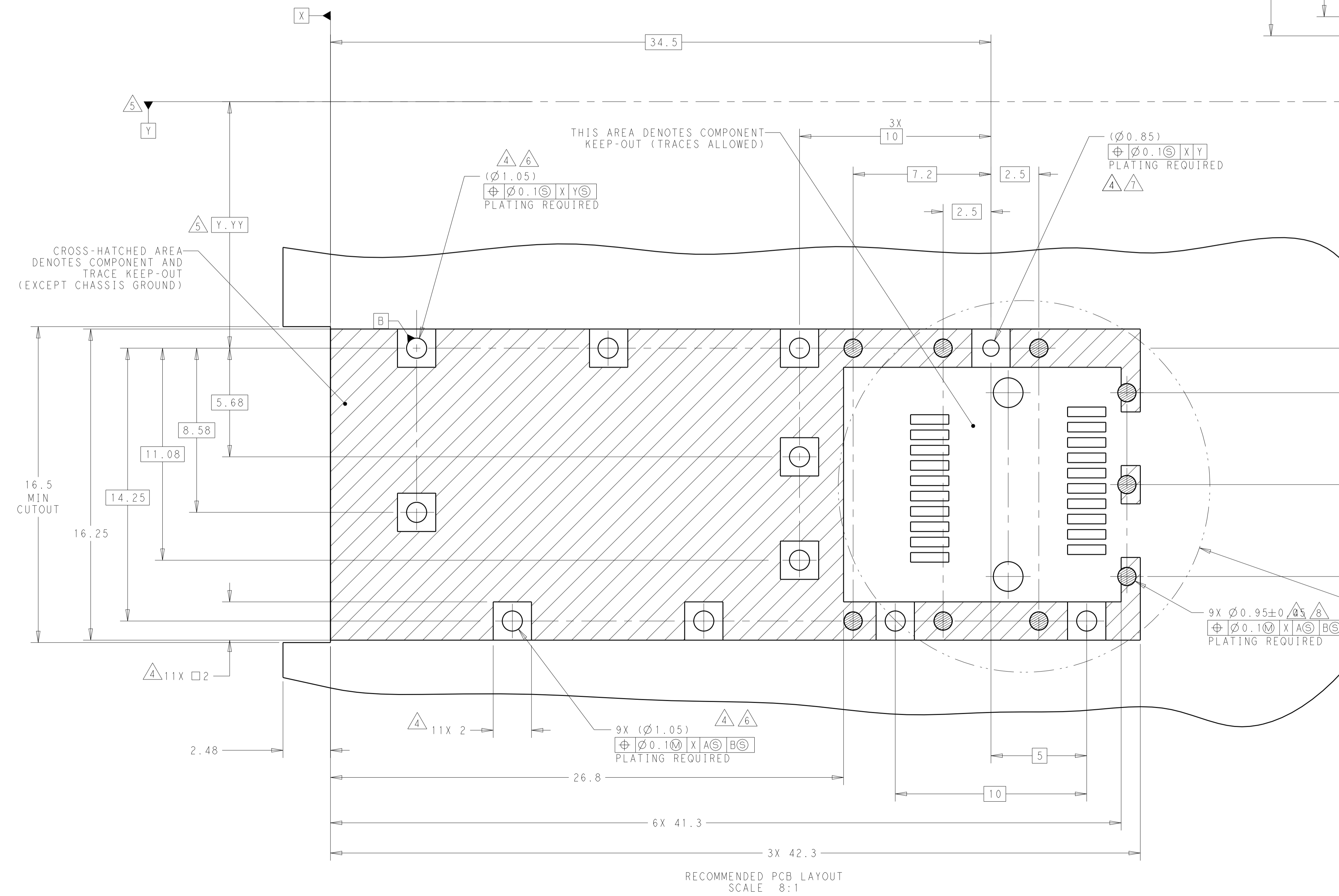
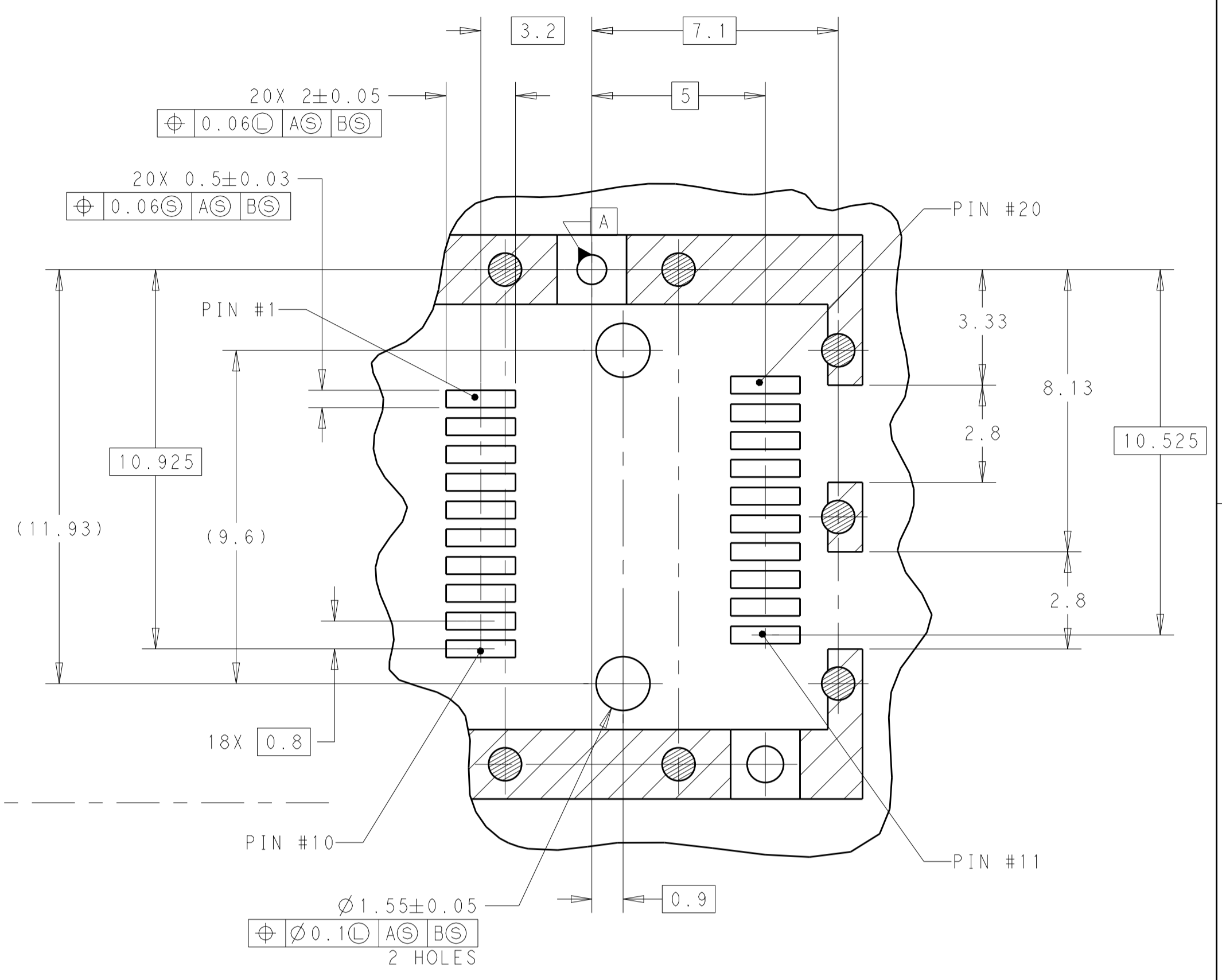
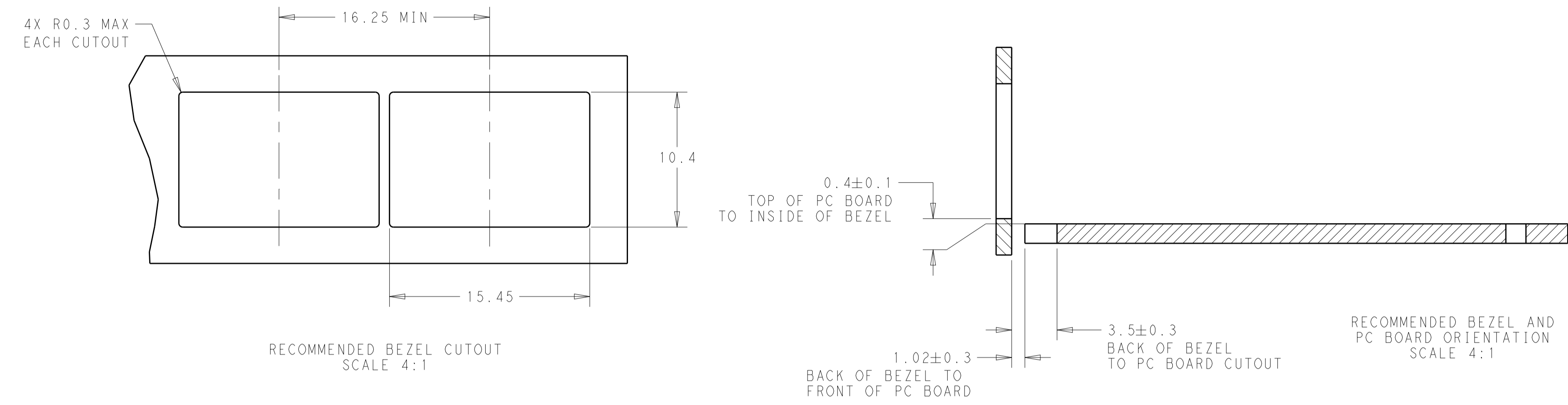
SCALE 5:1



SMT TRAY	NO	2291579-5
TRAY	NO	2291579-3
TRAY	YES	2291579-1
PACKAGE	W/ RF ABSORBER	PART NUMBER

THIS DRAWING IS A CONTROLLED DOCUMENT.		OWN: WINDY LIU 13MAR2016	TE Connectivity NAME: 2SFP+ 1X1 CAGE ASSEMBLY, PRESS-FIT PCI, EMI SPRINGS PRODUCT SPEC: 108-2364 APPLICATION SPEC: 114-13120 SIZE: A1 CAGE CODE: 00779 DRAWING NO: C=2291579 RESTRICTED TO: -
DIMENSIONS: mm		CHK: SEAN HAN 13MAR2016	
TOLERANCES UNLESS OTHERWISE SPECIFIED:		APVD: SEAN HAN 13MAR2016	
0 PLC ±0.1 1 PLC ±0.1 2 PLC ±0.1 3 PLC ±0.05 4 PLC ±0.05 ANGLES ±0.05		CUSTOMER DRAWING	
MATERIAL: △		FINISH: △	SCALE: 2:1 SHEET 1 OF 2 REV B

REVISIONS				
P.	LTN.	DESCRIPTION	DATE	APP'D.
-	-	SEE SHEET 1	-	-



THIS DRAWING IS A CONTROLLED DOCUMENT.		OWN: VINDY LIU 13MAR2016	TE Connectivity
DIMENSIONS: mm		CHK: SEAN HAN 13MAR2016	
TOLERANCES UNLESS OTHERWISE SPECIFIED:		APP'D: SEAN HAN 13MAR2016	NAME: zSFP+ 1X1 CAGE ASSEMBLY, PRESS-FIT PCI, EMI SPRINGS
0 PLC ±0.1		PRODUCT SPEC	SIZE: CAGE CODE DRAWING NO
1 PLC ±0.1		108-2364	RESTRICTED TO
2 PLC ±0.1		APPLICATION SPEC	A100779C=2291579
3 PLC ±0.05		114-13120	SCALE 2:1 SHEET 2 OF 2 REV B
4 PLC ±0.05		WEIGHT	
ANGLES ±0.05		CUSTOMER DRAWING	