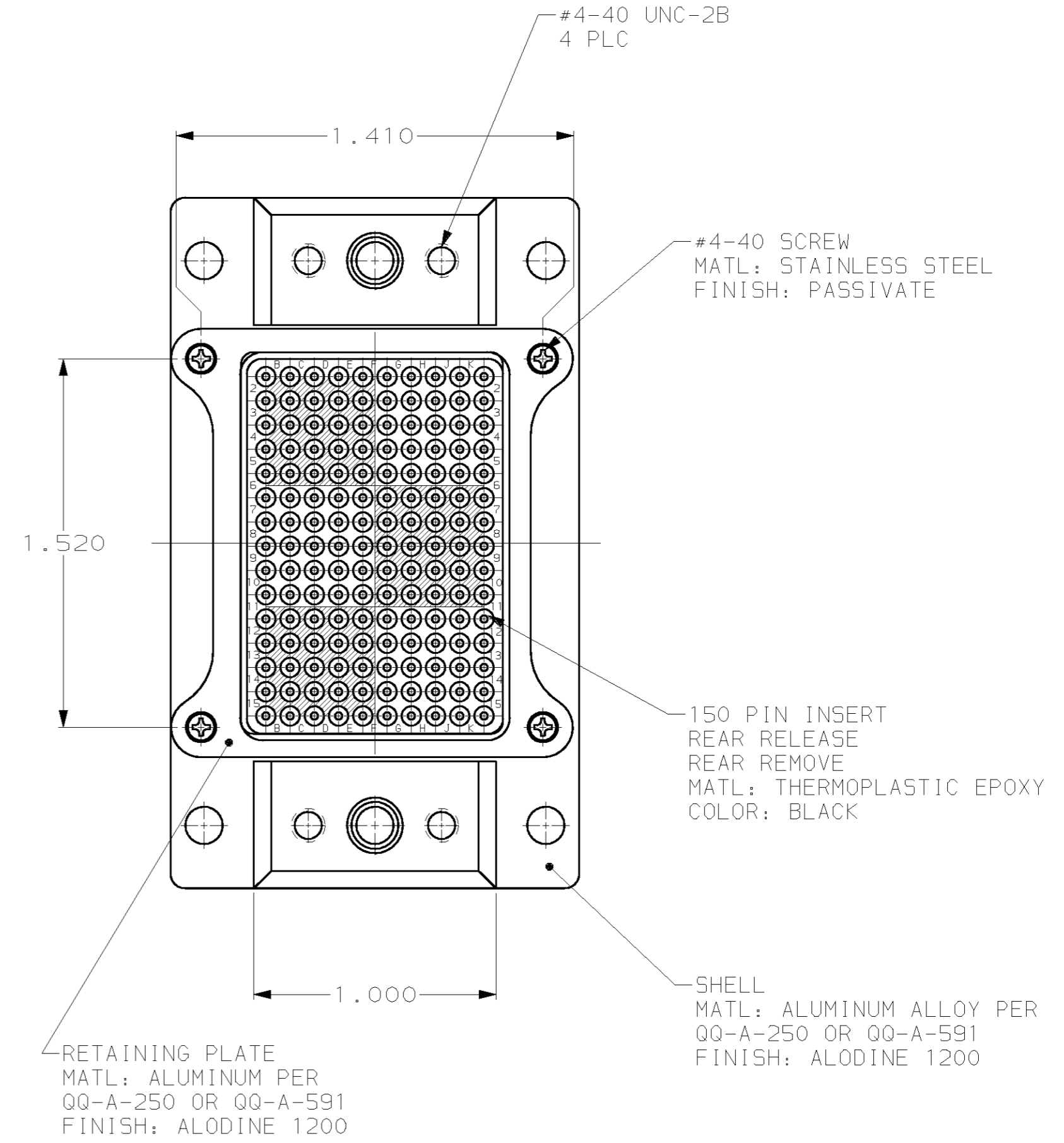
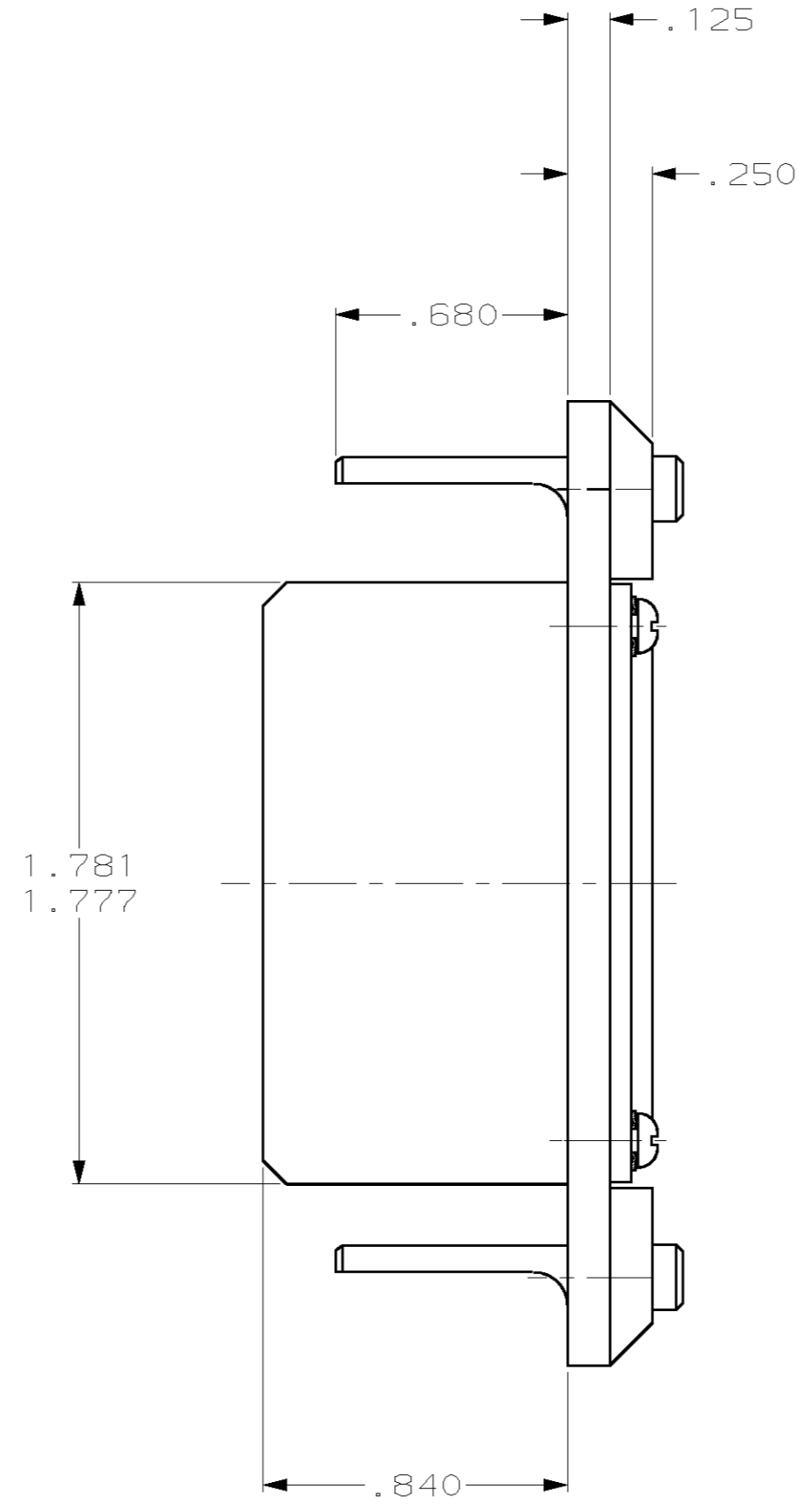
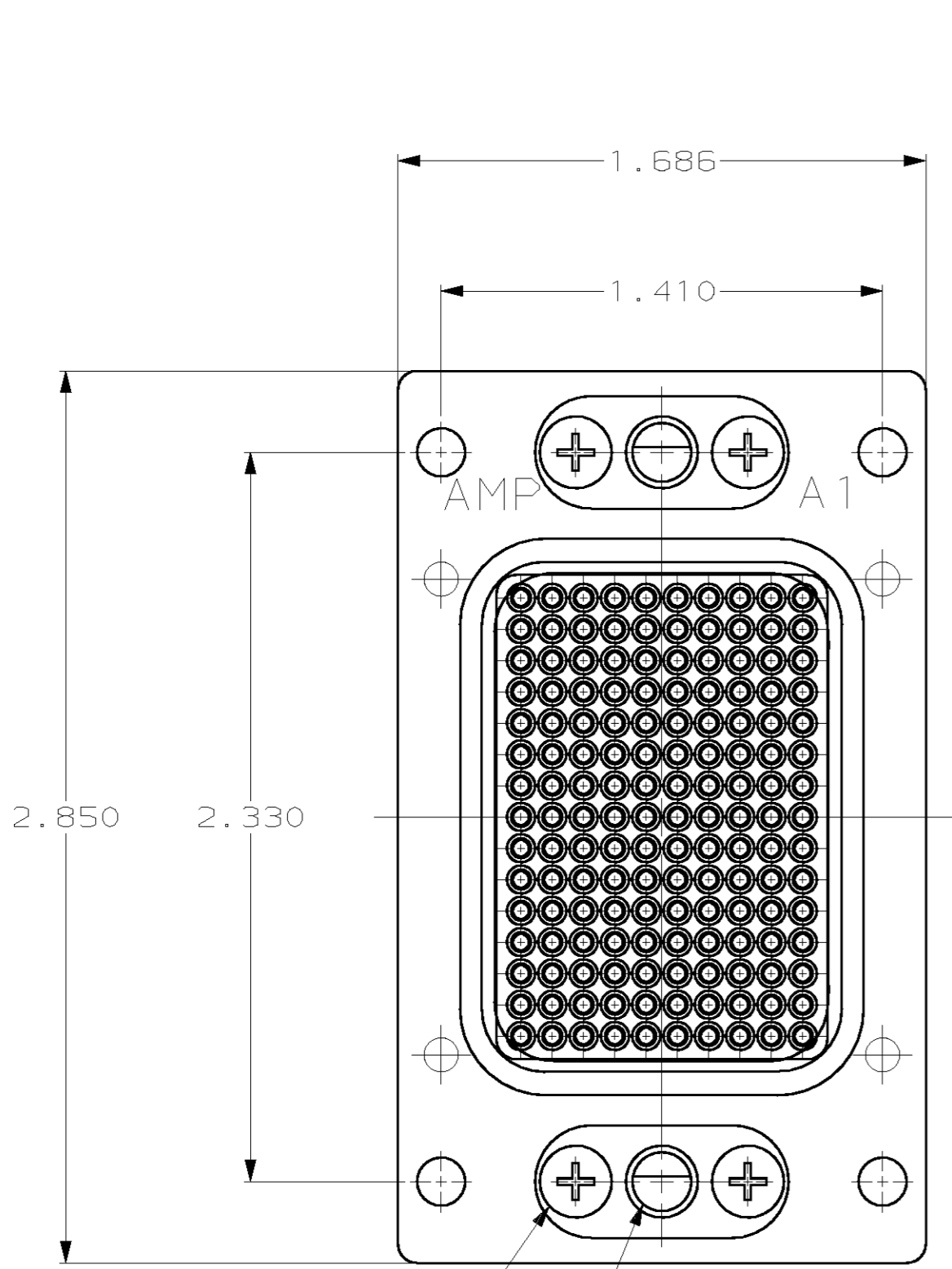


THIS DRAWING IS UNPUBLISHED. RELEASED FOR PUBLICATION
 (C) COPYRIGHT 19 BY AMP INCORPORATED. ALL RIGHTS RESERVED.

LOC		DIST		REVISIONS			
P	LTR	DESCRIPTION		DATE	DWN	APVD	
DF	AO	A	REV PER	063D-0017-02	4-03	CT	SG



POLARIZING POST
 MAT'L: ZINC ALLOY PER ASTM-B-86
 FINISH: ELECTROLESS NICKEL PER MIL-C-26074

#4-40 SCREW, FLAT HEAD
 MATL: STAINLESS STEEL
 FINISH: PASSIVATE

<small>THIS DRAWING IS A CONTROLLED DOCUMENT FOR AMP INCORPORATED. IT IS SUBJECT TO CHANGE AND THE CONTROLLING ENGINEERING ORGANIZATION SHOULD BE CONTACTED FOR THE LATEST REVISION.</small>		DWN T. THOMPSON 10-18-94 CHK R. GROSS 10-21-94 APVD R. GROSS 10-21-94	AMP AMP Incorporated Harrisburg, PA 17105-3608
DIMENSIONS: IN 	TOLERANCES UNLESS OTHERWISE SPECIFIED: 0 PLC ± 1 PLC ± 2 PLC ± 3 PLC ±.010 4 PLC ± ANGLES ± FINISH SEE CALLOUT	PRODUCT SPEC APPLICATION SPEC WEIGHT CUSTOMER DRAWING	NAME SINGLE MOD, CONNECTOR ASSEMBLY, ARINC600 SIZE A2 CAGE CODE 00779 DRAWING NO C-448269 SCALE 2:1 SHEET 1 OF 1 REV A