



PRODUCT NUMBER

20020000-XXXXXXLF

20020000- [ ] [ ] [ ] [ ] [ ] [ ] [ ] LF

PITCH  
C: 3.50 mm  
D: 3.81 mm

POLES  
02: 2 poles  
03: 3 poles  
04: 4 poles  
24: 24 poles

LF : DENOTED RoHS COMPATIBLE

1 : STANDARD PRODUCT  
W/ BOX PACKING

SCREW CODE

| CODE | SCREW TYPE | AVAILABILITY    |
|------|------------|-----------------|
| A    | -/+        | ON REQUEST ONLY |
| B    | -          | STANDARD        |

ALL FLANGE SCREWS ARE ONLY AVAILABLE IN +/- COMBINATION SCREW TYPES.

| PROPERTY TABLE                            |          |          |          |
|---|----------|----------|----------|
| FCI SERIES NAME                           |          | 01-350   | 01-381   |
| PITCH (mm)                                |          | 3.50     | 3.81     |
| VOLTAGE RATING (VAC)                      |          | 300      | 300      |
| CURRENT RATING (A)                        | cULus    | 10       | 10       |
|   | VDE      | 10.5     | 10.5     |
| APPLICABLE WIRE RANGE (AWG)               | 1-WIRE   | 16~26    | 16~26    |
|   | 2-WIRE   | 20       | 20       |
| WIRE CROSS SECTION (mm <sup>2</sup> )     | SOLID    | 1-WIRE   | 1.5      |
|   |          | 2-WIRE   | 0.5      |
|   | STRANDED | 1-WIRE   | 1.5      |
|   |          | 2-WIRE   | 0.75     |
| OPENING CONTACT HOUSING(mm <sup>2</sup> ) |          | 1.6x2.5  | 1.7x2.5  |
| WIRE STRIP LENGTH(mm)                     |          | 6~7      | 6~7      |
| TORQUE +/-10% (N-m/Lb-in)                 |          | 0.34/3.0 | 0.34/3.0 |
| SCREW                                     |          | M2x0.4   | M2x0.4   |
| WITHSTANDING VOLTAGE (kV)                 | cULus    | 1.6      | 1.6      |
|   | VDE      | 2.5      | 2.5      |
| OPERATING TEMP. (°C)                      |          | -40~+115 | -40~+115 |
| POLES AVAILABLE                           |          | 02~24    | 02~24    |
| SAFETY CERTIFICATE                        |          |          |          |

HOUSING CODE

| CODE | COLOR             | AVAILABILITY    |
|------|-------------------|-----------------|
| 1    | GREEN(RAL 6018/T) | STANDARD        |
| 2    | BLACK             | ON REQUEST ONLY |
| 3    | GREY(RAL 7004/P)  | ON REQUEST ONLY |
| 4    | BLUE(RAL 5015/A)  | ON REQUEST ONLY |

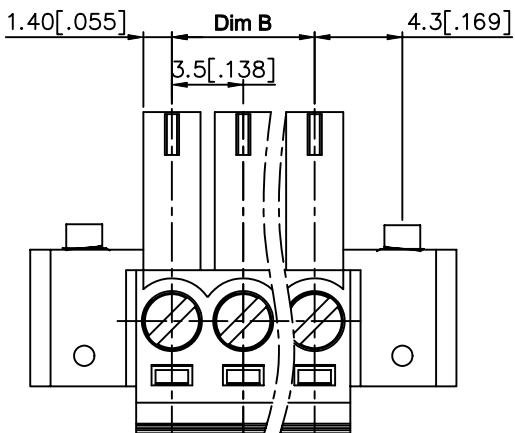
NOTES:

- MATERIALS  
1-1 HOUSING: THERMALPLASTIC RESIN, UL 94V-0 RATED.  
1-2 SCREW: STEEL, ZINC PLATED.  
1-3 CLAMP: COPPER ALLOY, NICKEL PLATED.  
1-4 TERMINAL: COPPER ALLOY, TIN PLATED.
- PRODUCT SPECIFICATION REFER TO FCI GS-12-625.
- PRODUCT PACKING SPECIFICATION REFER TO FCI GS-14-1394.
- FCI, SAFETY CERTIFICATE LOGO AND SERIES NAME TO BE SHOWN ON PRODUCT SURFACE.
- THE PRODUCTS WHERE THE PART NUMBER END IN "LF" MEET THE EUROPEAN UNION DIRECTIVE AND OTHER COUNTRY REGULATIONS AS DESCRIBED IN GS-22-008.

|             |          |                                       |                      |            |                                   |
|-------------|----------|---------------------------------------|----------------------|------------|-----------------------------------|
| mat'l. code |          | surface ASME Y14.5 ✓                  | tolerance ASME Y14.5 | projection | product family                    |
| litr        |          | tolerances unless otherwise specified |                      |            | TERMINAL BLOCK                    |
| A           | T10-0062 | WL                                    | 050710               | angles     | title                             |
| B           | T10-0081 | WL                                    | 061710               | MM         |                                   |
| C           | T10-0127 | WL                                    | 080910               | INCH       | TERMINAL BLOCK                    |
| D           | T10-0155 | WL                                    | 093010               | scale      | PLUGGABLE, PLUG, SIGNAL, W/FLANGE |
| E           | T11-0013 | WL                                    | 040811               | dr         | CONTACT UP SIDE                   |
| F           | T-004860 | WL                                    | 080411               | enr        | dwg no                            |
| sheet index |          | revision                              | F F F                | chr        | 20020000                          |
| sheet       |          | revision                              | 1 2 3                | appd       | sheet 1 of 3                      |
| index       |          | revision                              | 1 2 3                | appd       | size                              |
|             |          |                                       |                      |            | A4                                |
|             |          |                                       |                      |            | type                              |
|             |          |                                       |                      |            | CUSTOMER Drawing                  |



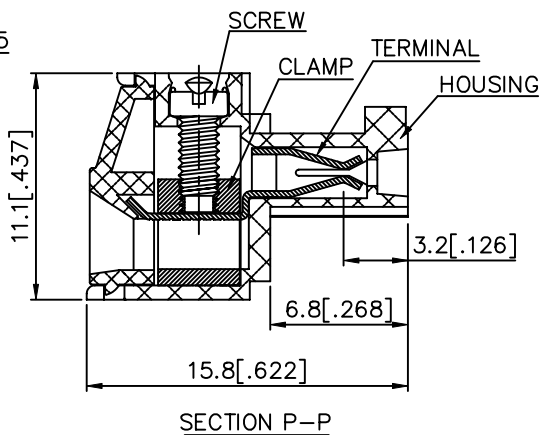
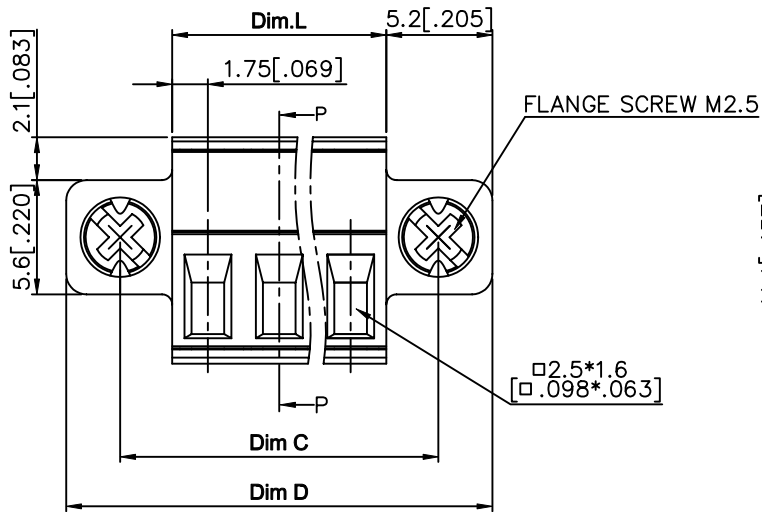
|                    |             |         |
|--------------------|-------------|---------|
| PRODUCT NUMBER     | SERIES NAME | PITCH   |
| 20020000-CXXXXXXLF | 01-350      | 3.50 mm |



N= NUMBER OF POLES

|       |  |
|-------|--|
| Dim L | $N \times 3.5 [.138]$                  |
| Dim B | $(N-1) \times 3.5 [.138]$              |
| Dim C | $(N-1) \times 3.5 [.138] + 8.6 [.339]$ |
| Dim D | $N \times 3.5 [.138] + 10.4 [.409]$    |

| Poles   | Tolerance         |
|---------|-------------------|
| 2P-6P   | $\pm 0.15 [.006]$ |
| 7P-12P  | $\pm 0.20 [.008]$ |
| 13P-18P | $\pm 0.25 [.010]$ |
| 19P-24P | $\pm 0.30 [.012]$ |

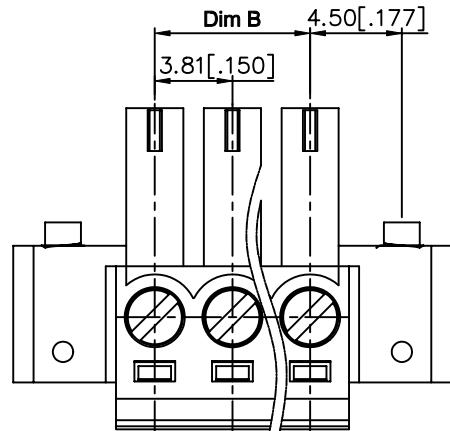


|             |                       |                         |                |   |
|-------------|-----------------------|-------------------------|----------------|---|
| mat'l. code | surface<br>ASME Y14.5 | tolerance<br>ASME Y14.5 | projection<br> | product family<br>TERMINAL BLOCK  |
| ltr         | ecn no                | dr                      | date           | title<br>TERMINAL BLOCK<br>PLUGGABLE, PLUG, SIGNAL, W/FLANGE<br>CONTACT UP SIDE |
| F           |                       |                         |                |   |
|             | angles                | tolerance               | scale          |   |
|             |                       | $X \pm 0.5 [.020]$      | MM             |   |
|             |                       | $X.X \pm 0.3 [.012]$    | INCH           |   |
|             |                       | $X.XX \pm 0.1 [.004]$   |                |   |
|             | dr                    | WENDY CHEN              | 042310         | dwg no  |
|             | enr                   | JASON HSU               | 042310         | sheet 2 of 3  |
|             | chr                   | GARY HSIEH              | 042310         | size  |
|             | appd                  | JOSEPH HSIA             | 042310         | 20020000  |
|             |                       |                         |                | A4  |
| sheet index | revision sheet        |                         |                | type<br>CUSTOMER Drawing  |





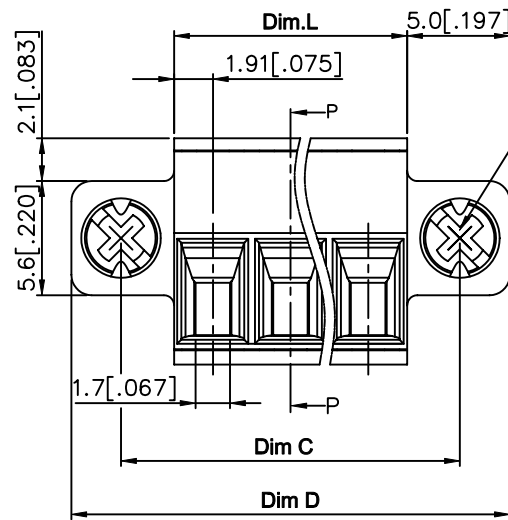
|                    |             |         |
|--------------------|-------------|---------|
| PRODUCT NUMBER     | SERIES NAME | PITCH   |
| 20020000-DXXXXXXLF | 01-381      | 3.81 mm |



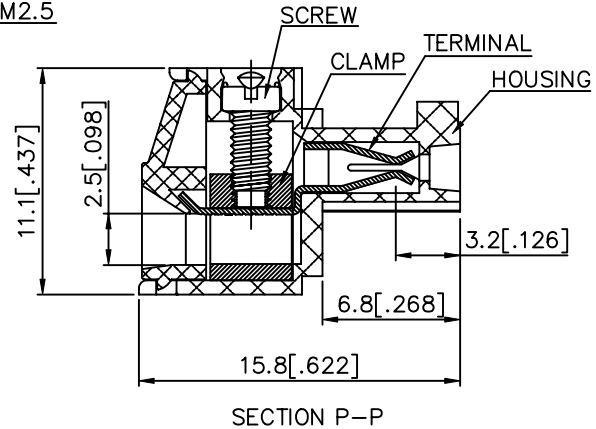
N= NUMBER OF POLES

|       |   |
|-------|---|
| Dim L | $N \times 3.81 [.150]$                  |
| Dim B | $(N-1) \times 3.81 [.150]$              |
| Dim C | $(N-1) \times 3.81 [.150] + 9.0 [.354]$ |
| Dim D | $N \times 3.81 [.150] + 10.08 [.397]$   |

| Poles   | Tolerance         |
|---------|-------------------|
| 2P-6P   | $\pm 0.15 [.006]$ |
| 7P-12P  | $\pm 0.20 [.008]$ |
| 13P-18P | $\pm 0.25 [.010]$ |
| 19P-24P | $\pm 0.30 [.012]$ |



FLANGE SCREW M2.5



|             |                       |                         |                |   |
|-------------|-----------------------|-------------------------|----------------|---|
| mat'l. code | surface<br>ASME Y14.5 | tolerance<br>ASME Y14.5 | projection<br> | product family<br>TERMINAL BLOCK  |
| ltr         | ecn no                | dr                      | date           | title<br>TERMINAL BLOCK<br>PLUGGABLE, PLUG, SIGNAL, W/FLANGE<br>CONTACT UP SIDE |
| F           |                       |                         |                | dwg no<br>20020000  |
|             | angles                | tolerance               | scale          | sheet 3 of 3 size<br>A4   |
|             | $X \pm 0.5 [.020]$    | $X.X \pm 0.3 [.012]$    | MM<br>INCH     | type<br>CUSTOMER Drawing  |
|             | $X \pm 1^\circ$       | $X.XX \pm 0.1 [.004]$   |                |   |
| dr          | WENDY CHEN            | 042310                  |                |   |
| enr         | JASON HSU             | 042310                  |                |   |
| chr         | GARY HSIEH            | 042310                  |                |   |
| appd        | JOSEPH HSIA           | 042310                  |                |   |
| sheet index | revision sheet        |                         |                |   |

