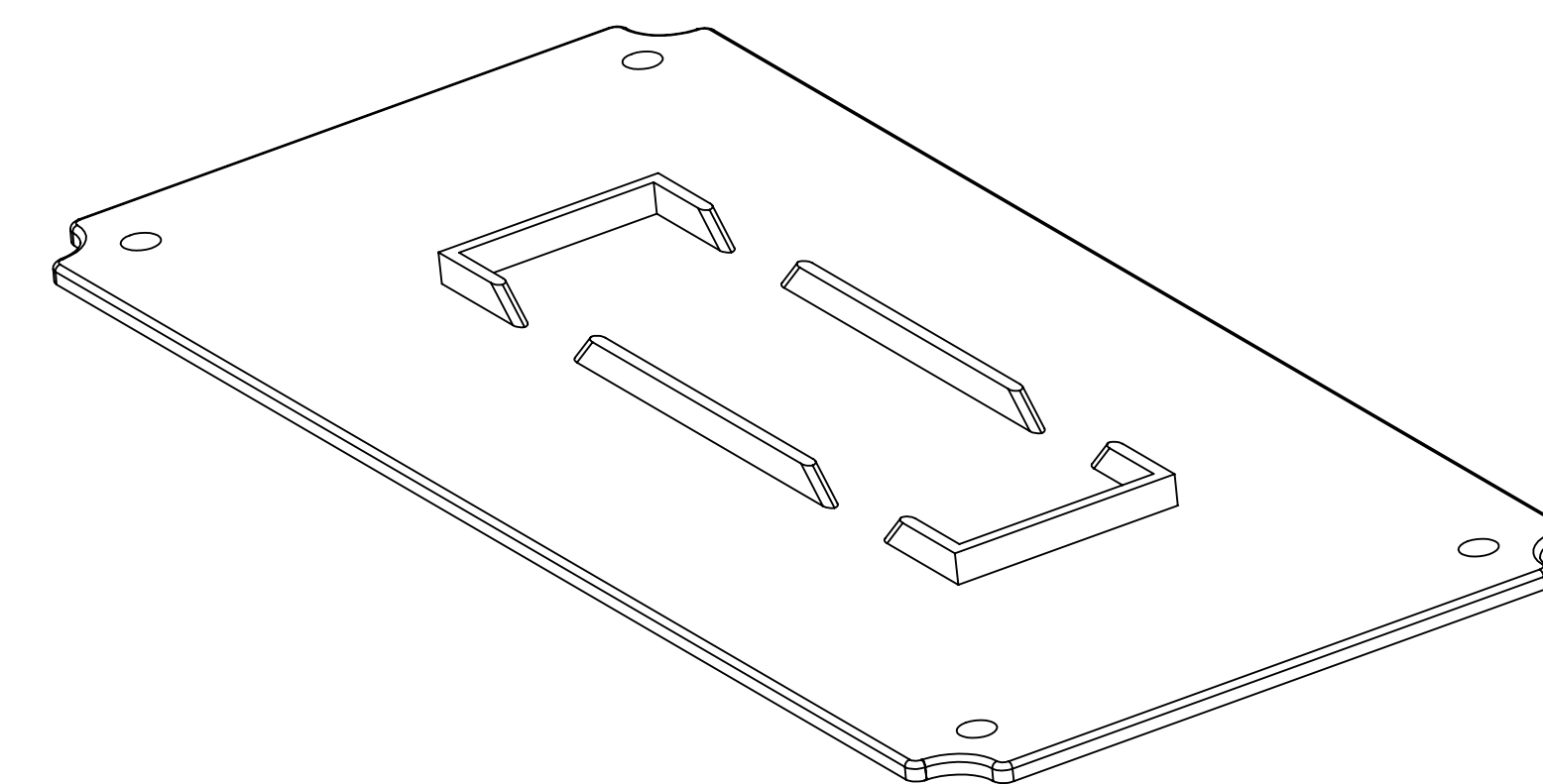
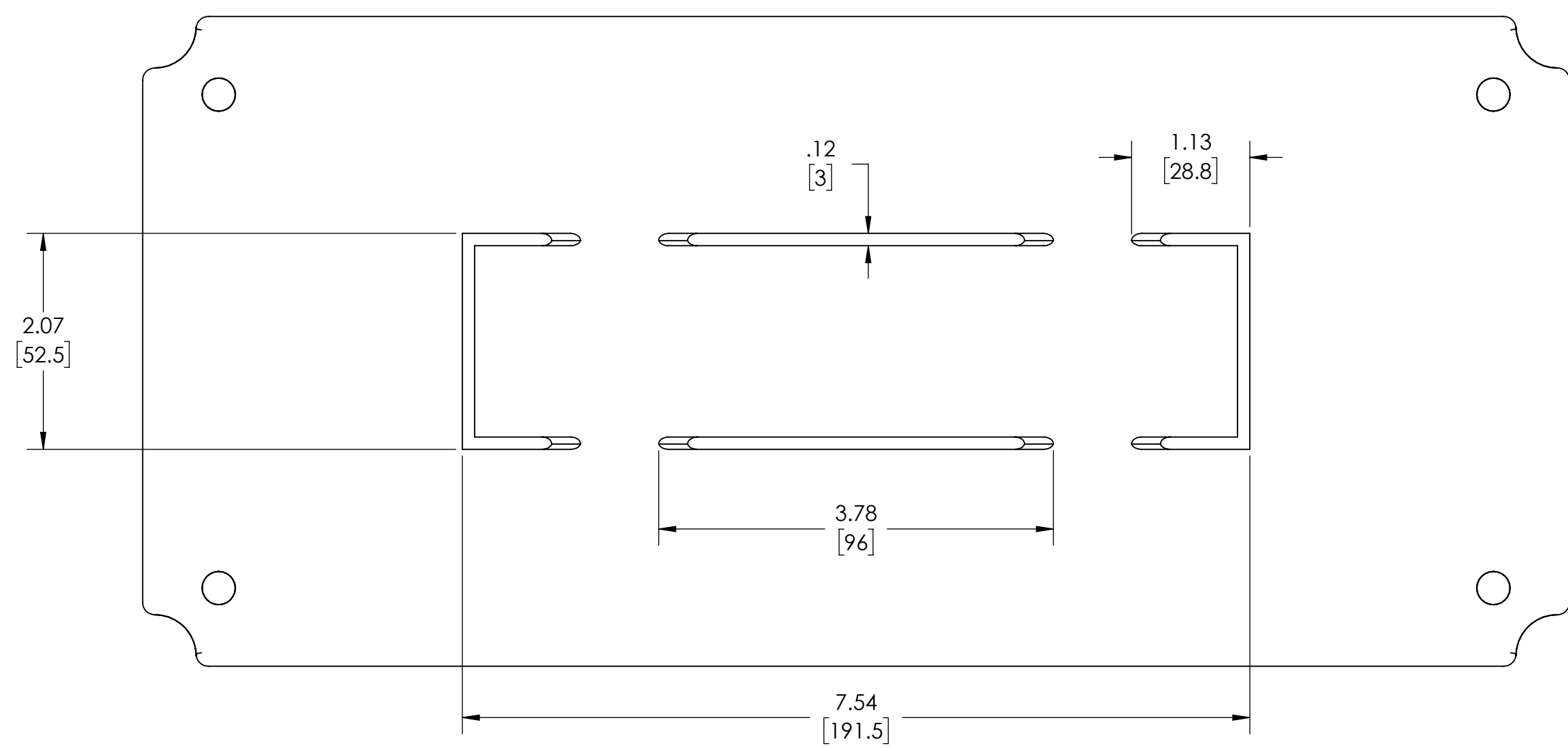
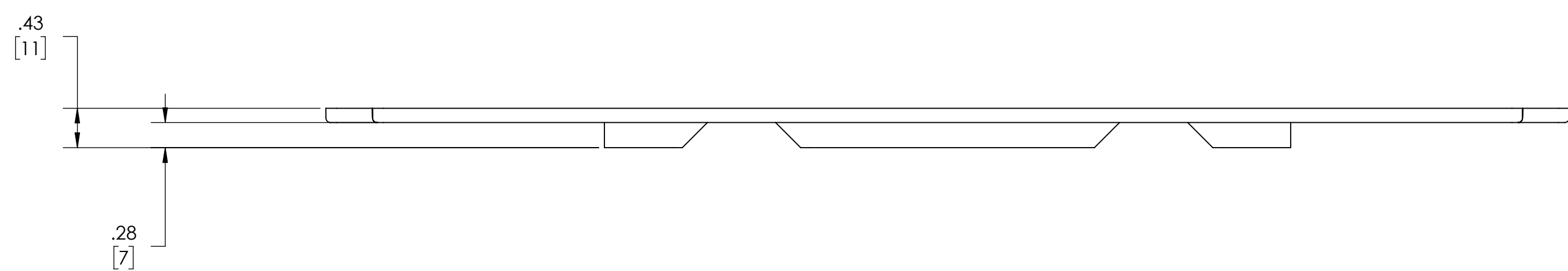
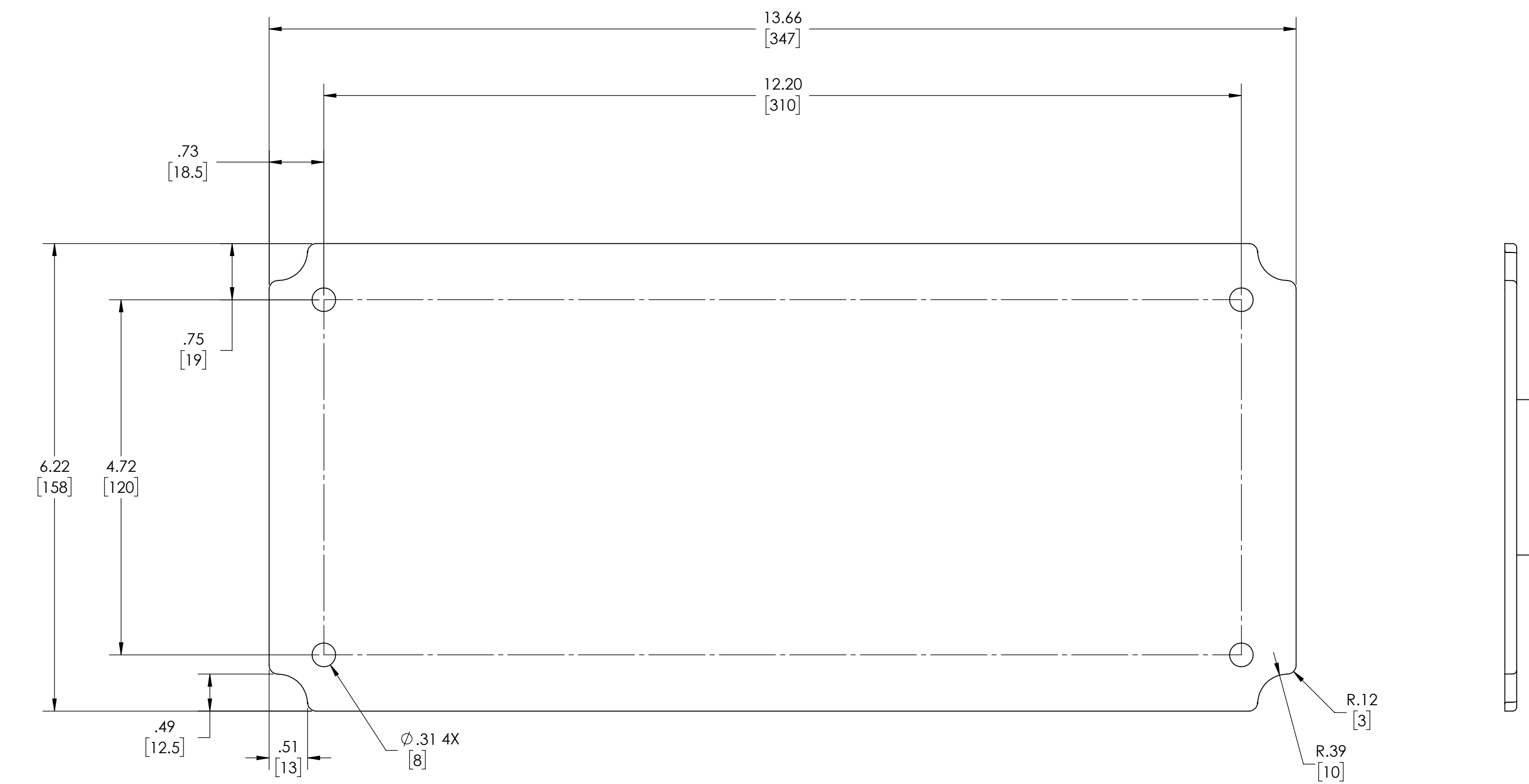


DRAWING FOR REFERENCE
 WE RESERVE THE RIGHT TO MAKE CHANGES TO OUR
 STANDARD PRODUCTS. PLEASE CONSULT WITH BUD INDUSTRIES
 PRIOR TO USING THIS DRAWING FOR DESIGN PURPOSE.



MATERIAL - ABS PLASTIC
 FINISH - LIGHT GRAY
 DIMENSIONS IN INCH[MM]

PANEL FITS THE FOLLOWING ENCLOSURES:
 PTH-22448 & PTH-22448-C
 PTH-22450 & PTH-22450-C
 PTH-22746-L & PTH-22746-LC