

THIS DRAWING IS UNPUBLISHED.

RELEASED FOR PUBLICATION

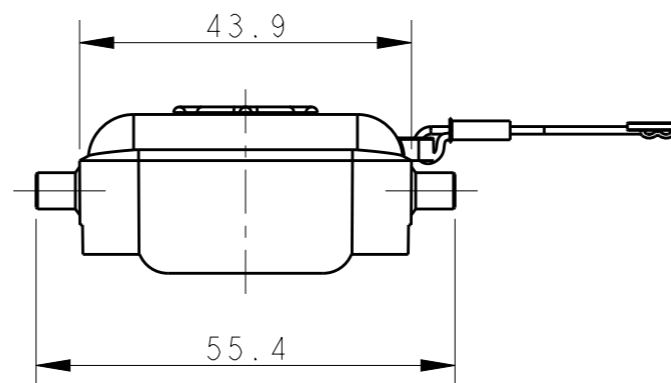
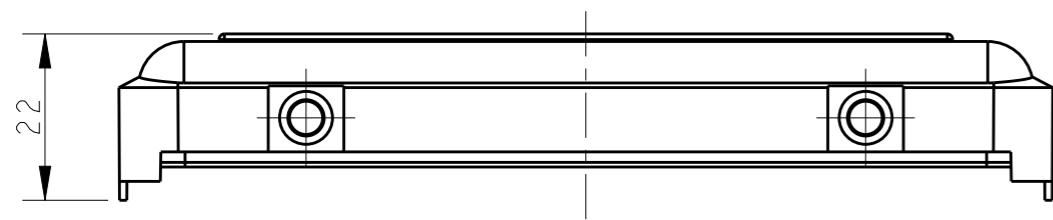
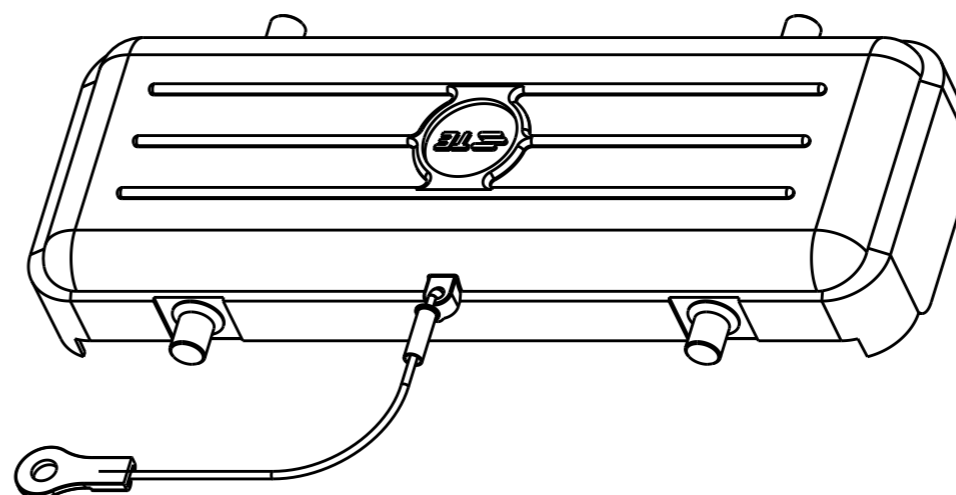
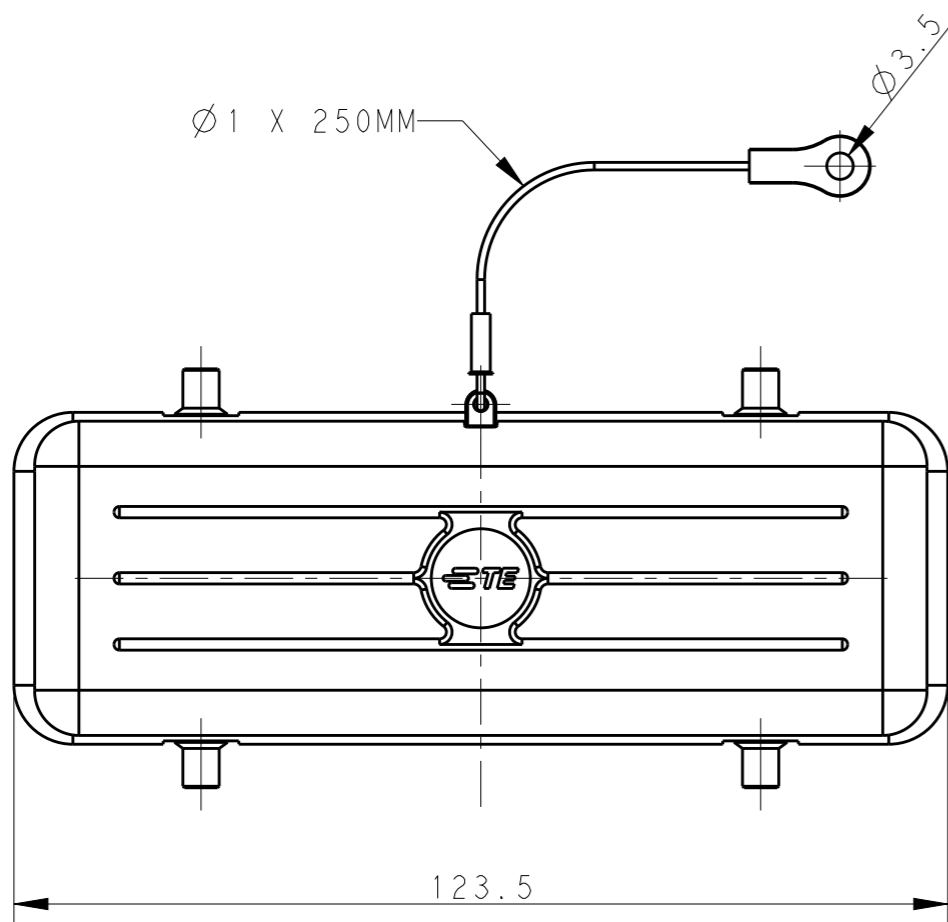
20

© COPYRIGHT 20 BY -

ALL RIGHTS RESERVED.

REVISIONS

P	LTR	DESCRIPTION	DATE	DWN	APVD
	A	INITIAL	08JUN2015	DW	CW



NOTES:
 1. TECHNICAL CHARACTERISTICS:
 COVER MATERIAL: PC
 OPERATION TEMPERATURE: -40-+125°C

注释:
 1. 技术参数:
 保护盖材料: PC
 工作温度: -40-+125°C

THIS DRAWING IS A CONTROLLED DOCUMENT.

DIMENSIONS: mm	TOLERANCES UNLESS OTHERWISE SPECIFIED:
	0 PLC ±-
	1 PLC ±-
	2 PLC ±-
	3 PLC ±-
	4 PLC ±-
	ANGLES - ±
MATERIAL	FINISH
-	-
-	-

DWN	08JUN2015
David Wang	
CHK	08JUN2015
Chris Wang	
APVD	08JUN2015
Xiang Xu	
PRODUCT SPEC	-
APPLICATION SPEC	-
WEIGHT	-
Customer Drawing	

STE TE Connectivity

NAME
 H24B-KDB
 H24B HOUSING PLASTIC PROTECTION COVER

SIZE	CAGE CODE	DRAWING NO	RESTRICTED TO
A3	00779	C-T1010242100000	-
SCALE	SHEET	OF	REV
1:1	1	1	A