


This drawing involves proprietary design rights of Tyco Electronics Corporation, and all design, manufacture, reproduction, use and sale rights regarding the same are expressly reserved. It is submitted for a specific purpose and the recipient by accepting this drawing, assumes custody and control and agrees to take reasonable precautions; (a) that this drawing will not be copied and reproduced, in whole or in part, or its contents revealed in any manner, or to any person except to meet the purpose for which it was delivered and (b) that any special features peculiar to this design will not be incorporated in other projects without the expressed written permission of Tyco Electronics Corporation.

REVISIONS

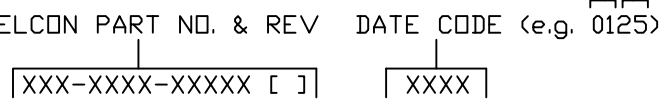
EC	REV	DESCRIPTION	DATE
11345	A	NEW RELEASE	19MAY99
11841	A1	ADDED CL SKT POSITIONS	17APR00
—	B	DELETED GENDER CHANGER	31JAN04
0S1Q-0041-04	B1	TOLERANCE TIGHTEN ON ASSEMBLY DRAWING	15FEB04
0S1Q-0281-04	C	CHANGED DRAWING No. FROM 999-699-2 TO C-6646465 UPDATED PART No. TO LEAD FREE 6646465-1	02SEP04

NOTES: UNLESS OTHERWISE SPECIFIED;

- PART NUMBER CHANGES AND OR DESIGN CHANGES AFFECTING ITEM INTERCHANGEABILITY REQUIRE PRIOR ELCON APPROVAL AND AUTHORIZATION BY REVISION TO THIS DRAWING.
- MATERIALS:
 - INSULATORS: THERMOPLASTIC, GLASS REINFORCED, COLOR-BLACK, UL94V-0 FLAMMABILITY RATED.
 - COMPLIANT SIGNAL SOCKETS: PHOSPHOR BRONZE ALLOY.
 - POWER CONTACTS: PHOSPHOR-BRONZE ALLOY, COPPER ALLOY.
 - CROWN BANDS: BERYLLIUM-COPPER ALLOY.
- FINISHES:
 - CONTACTS: GOLD PLATED PER TYCO SPEC 112-162-5, .00076 [.000030] MIN THICK OVER NICKEL PER TYCO SPEC 112-25-2, .00130 [.000050] MIN THICK
 - COMPLIANT TAILS: TIN PLATED PER LEAD FREE TYCO SPEC. 112-65-1, MATT-FINISH .0010 TO .0030 [.000040 TO .000120] THICKNESS.
- RECOMMENDED PRESSING TOOL PN FIX00067.
CONTACT ELCON FOR TOOLING QUOTE OR TO ORDER.
- ITEMS PROVIDED TO THIS SPECIFICATION TO BE PERMANENTLY IDENTIFIED PER THE FOLLOWING IDENTIFIER:

YEAR  WEEK

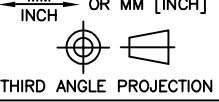


ELCON PART NO. & REV DATE CODE (e.g. 0125)

 [XXX-XXXX-XXXXX []] [XXXX]
- CONNECTOR COMPRISES ONE-PIECE MOLDING AND ONE-PIECE SIGNAL CONTACT.
- THIS CONNECTOR MATES WITH PIN CONNECTORS PN 479-0743-00100.

8. MODULE INFORMATION

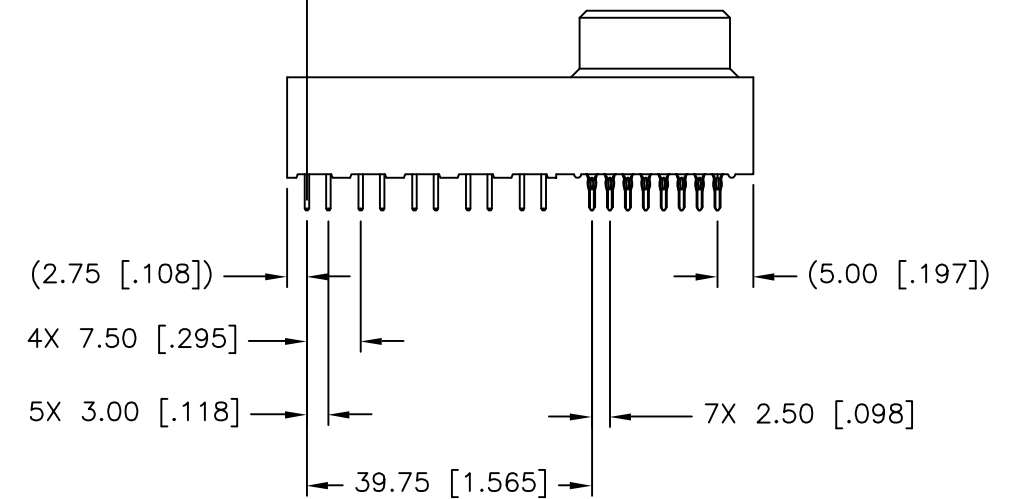
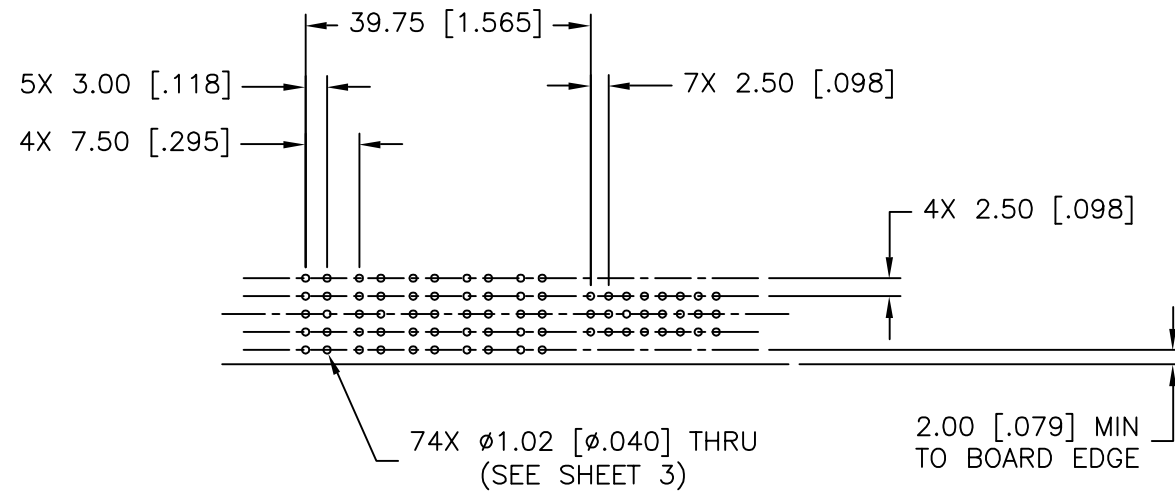
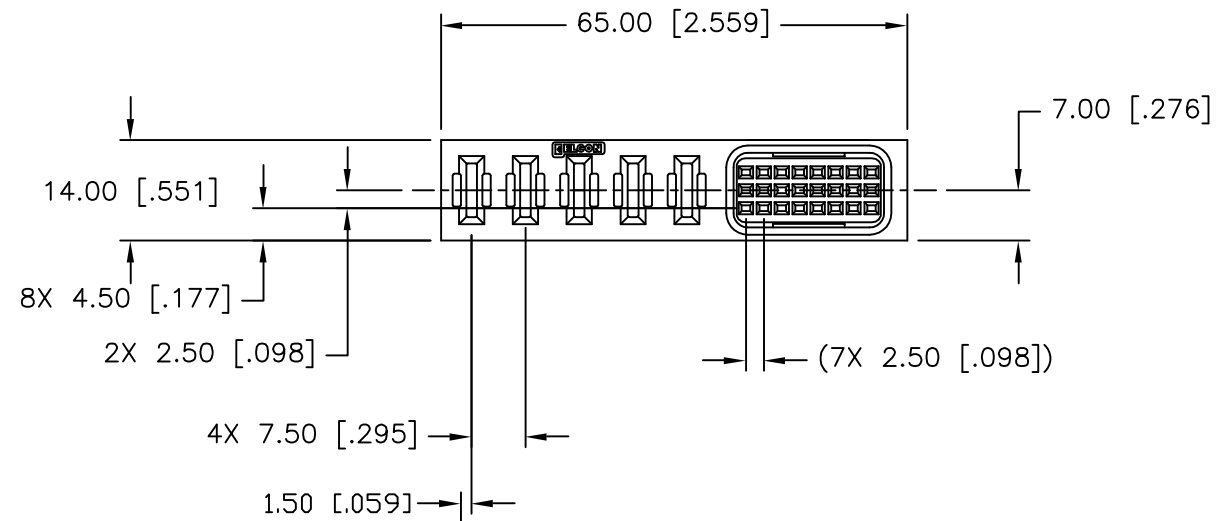
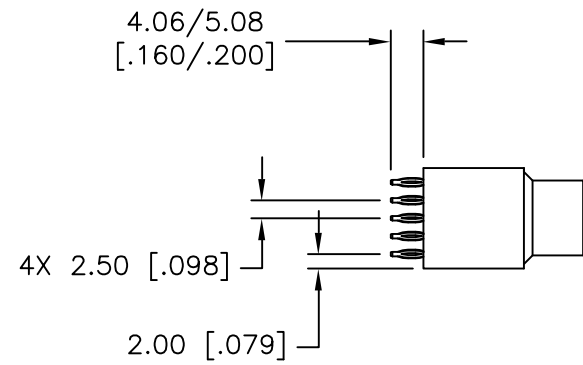
CONNECTOR	TYCO PART NUMBER	ELCON PART NUMBER	EQUIV. CATALOG MODULE #	QTY	SIZE NO.	CONTACT QTY	MATING PIN	MAX. CURRENT (PER CONTACT)	CONTACT SPACING	VOLTAGE RATING*
SOCKET	6646465-1	278-0669-10200 COMPLIANT TAIL	FP749	1	8	4	1.25 X 7.00 [.049 X .276]	35 AMPERES	7.50 [.2953]	250 VOLTS

*IAW IEC-950

 THIRD ANGLE PROJECTION UNLESS OTHERWISE SPECIFIED DIMENSIONS ARE IN METRIC [INCHES] TOLERANCES ANGLES ± .5° DECIMALS .XX ± .25 [.010] .X ± .5 [.020]	DRAWN M.C.CANT CHECKED	DATE 19MAY99	 Tyco Electronics Corporation Menlo Park, Ca 94025		
	APPROVED		TITLE		
	APPROVED D. CHAU	02SEP04	SOCKET CONNECTOR, FLATPAQ STRAIGHT, COMPLIANT TAILS (DEDICATED) PN: 278-0669-10200C		
	DCA APPROVED M. ALIM	03SEP04	SIZE B	DWG NUMBER C = 6646465	REV. C
ACAD FILE NUMBER C6646465C.DWG			DWG SCALE 1=1	SH 1 OF 3	

This drawing involves proprietary design rights of Tyco Electronics Corporation, and all design, manufacture, reproduction, use and sale rights regarding the same are expressly reserved. It is submitted for a specific purpose and the recipient by accepting this drawing, assumes custody and control and agrees to take reasonable precautions; (a) that this drawing will not be copied and reproduced, in whole or in part, or its contents revealed in any manner, or to any person except to meet the purpose for which it was delivered and (b) that any special features peculiar to this design will not be incorporated in other projects without the expressed written permission of Tyco Electronics Corporation.

REVISIONS			
EC	REV	DESCRIPTION	DATE
		SEE SHEET 1	

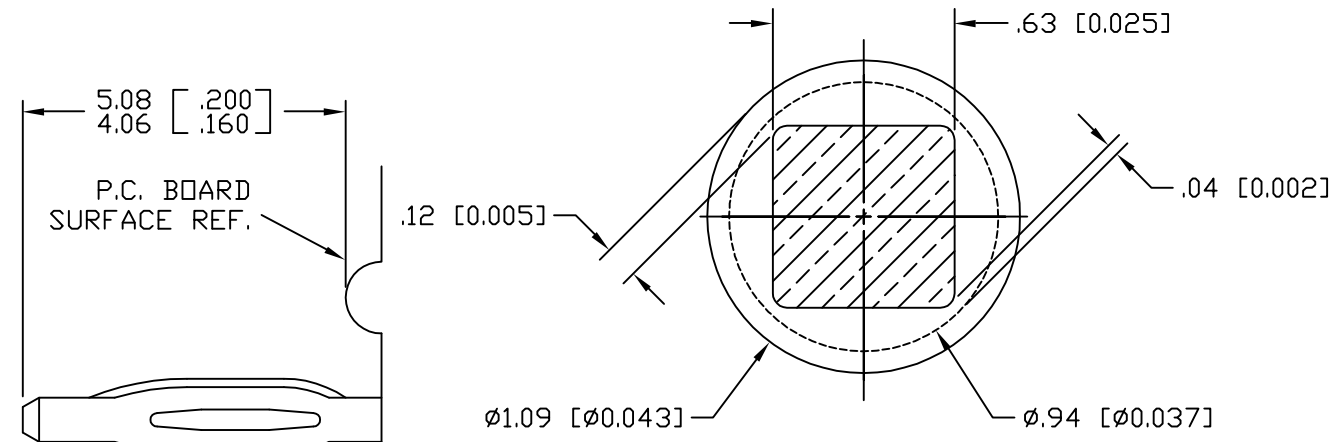


← MM OR MM [INCH] INCH THIRD ANGLE PROJECTION UNLESS OTHERWISE SPECIFIED DIMENSIONS ARE IN METRIC [INCHES] TOLERANCES ANGLES ± .5° DECIMALS .XX ± .25 [.010] .X ± .5 [.020]	DRAWN M.C.CANT	DATE 19MAY99	 Tyco Electronics Corporation Menlo Park, Ca 94025
	CHECKED	APPROVED	
	APPROVED D. CHAU	02SEP04	SIZE B
	DCA APPROVED M. ALIM	03SEP04	DWG NUMBER C = 6646465
	ACAD FILE NUMBER C6646465C.DWG		REV. C
			DWG SCALE 1=1 SH 2 OF 3

This drawing involves proprietary design rights of Tyco Electronics Corporation, and all design, manufacture, reproduction, use and sale rights regarding the same are expressly reserved. It is submitted for a specific purpose and the recipient by accepting this drawing, assumes custody and control and agrees to take reasonable precautions; (a) that this drawing will not be copied and reproduced, in whole or in part, or its contents revealed in any manner, or to any person except to meet the purpose for which it was delivered and (b) that any special features peculiar to this design will not be incorporated in other projects without the expressed written permission of Tyco Electronics Corporation.

REVISIONS			
EC	REV	DESCRIPTION	DATE
		SEE SHEET 1	

B



POWER COMPLIANT TAIL TERMINATION AREA

SCALE: 40 : 1

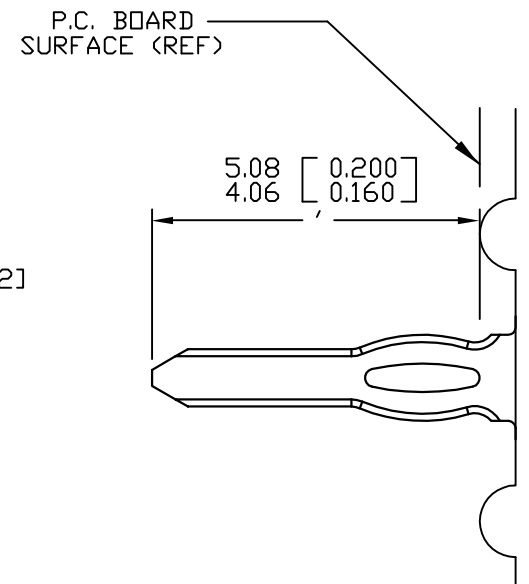
RECOMMENDED PRINTED CIRCUIT HOLE
SOLDER OR COMPLIANT PRESS FIT

FINISHED HOLE: $\phi 1.02 [0.040] \pm 0.08 [0.003]$
 DRILLED HOLE: $\phi 1.15 [0.0453] \pm 0.013 [0.0005]$
 COPPER PLATE: .025 [0.0010] MINIMUM (PER SURFACE)
 TIN PLATE: .008 [0.0003] MINIMUM (PER SURFACE)

POWER COMPLIANT TAIL DETAIL

SCALE: 10 : 1

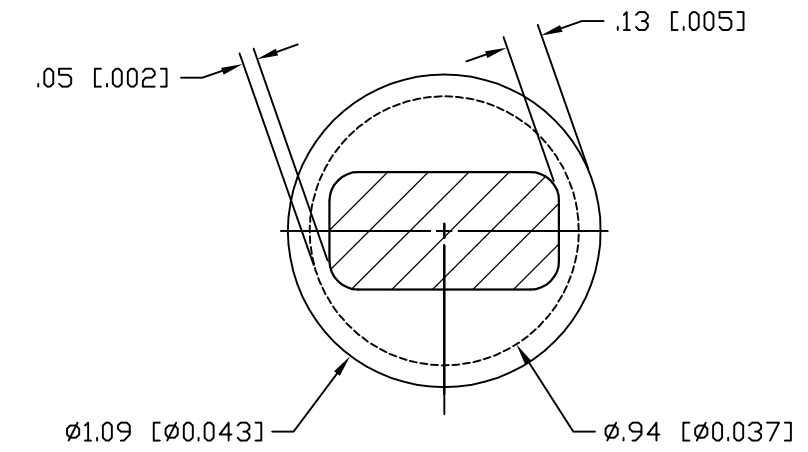
INSERTION/EXTRACTION FORCES
 MAXIMUM PUSH IN: 133.3N PER PIN [30 LBS]
 MINIMUM PUSH OUT: 44.4N PER PIN [10 LBS]



SIGNAL COMPLIANT TAIL DETAIL

SCALE: 10 : 1

INSERTION/EXTRACTION FORCES
 MAXIMUM PUSH IN: 133.3N PER PIN [30 LBS]
 MINIMUM PUSH OUT: 44.4N PER PIN [10 LBS]



SIGNAL COMPLIANT TAIL TERMINATION AREA

SCALE: 40 : 1

RECOMMENDED PRINTED CIRCUIT HOLE
SOLDER OR COMPLIANT PRESS FIT

FINISHED HOLE: $\phi 1.02 [0.040] \pm 0.08 [0.003]$
 DRILLED HOLE: $\phi 1.15 [0.0453] \pm 0.013 [0.0005]$
 COPPER PLATE: .025 [0.0010] MINIMUM (PER SURFACE)
 TIN PLATE: .008 [0.0003] MINIMUM (PER SURFACE)

A

<p>THIRD ANGLE PROJECTION</p> <p>UNLESS OTHERWISE SPECIFIED DIMENSIONS ARE IN METRIC [INCHES]</p> <p>TOLERANCES</p> <p>ANGLES $\pm .5^\circ$</p> <p>DECIMALS</p> <p>.XX $\pm .25 [0.010]$</p> <p>.X $\pm .5 [0.020]$</p>	<p>MM OR MM [INCH]</p>	<p>DRAWN</p> <p>M.C.CANT</p>	<p>DATE</p> <p>19MAY99</p>	<p>tyco Tyco Electronics Corporation</p> <p>Electronics Menlo Park, Ca 94025</p>	<p>ELCON</p>		
	<p>CHECKED</p>	<p>TITLE</p> <p>USER INFORMATION</p> <p>COMPLIANT TAIL TERMINATION</p> <p>FLATPAQ</p>	<p>APPROVED</p>	<p>APPROVED</p>	<p>SIZE</p> <p>B</p>	<p>DWG NUMBER</p> <p>C = 6646465</p>	<p>REV.</p> <p>C</p>
	<p>APPROVED</p>	<p>APPROVED</p>	<p>D. CHAU</p> <p>02SEP04</p>	<p>M. ALIM</p> <p>03SEP04</p>	<p>ACAD FILE NUMBER</p> <p>C6646465C.DWG</p>	<p>DWG SCALE</p> <p>1 = 1</p>	<p>SH 3 OF 3</p>
	<p>APPROVED</p>	<p>APPROVED</p>	<p>M. ALIM</p> <p>03SEP04</p>	<p>ACAD FILE NUMBER</p> <p>C6646465C.DWG</p>	<p>DWG SCALE</p> <p>1 = 1</p>	<p>SH 3 OF 3</p>	

4

3

2

1

B

A