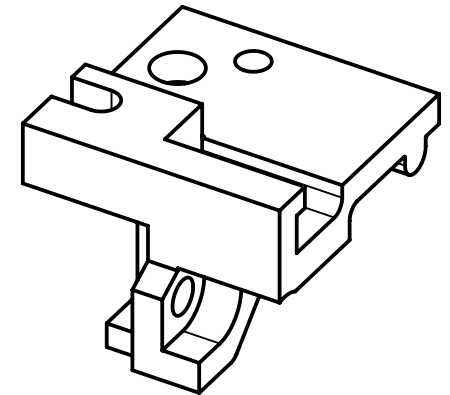
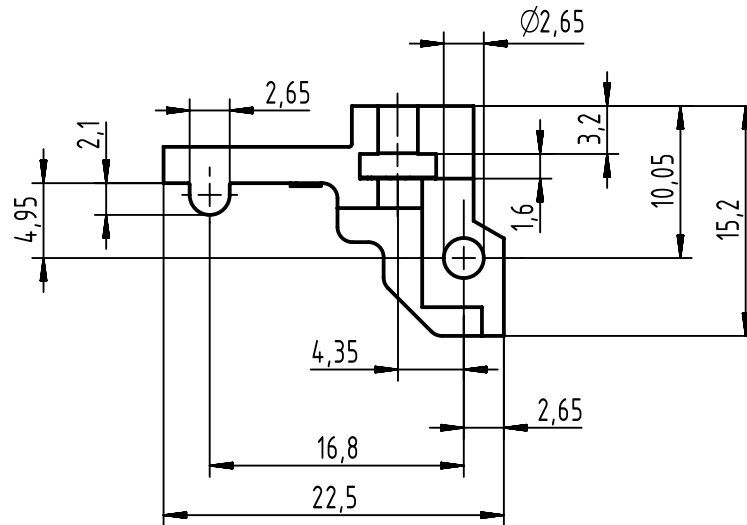
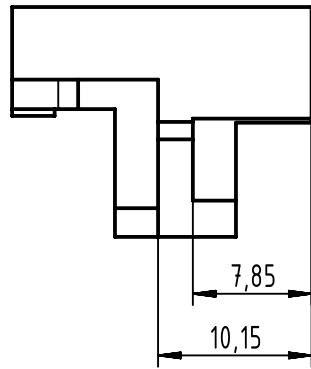
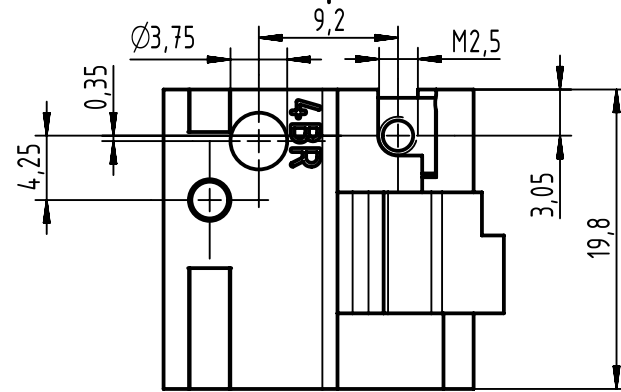



A

B

C

D



	All rights reserved Department EC PD - DE	All Dimensions in mm Original Size DIN A4		Scale 2:1	Free size tol.		Ref. Sub. 09 06 001 9925 / 33878 / 06.03.08		
		Created by TADJE	Inspected by DAHMS	Standardisation HOFFMANN	Date 2014-02-27	State Final Release		Doc-Key / ECM-Nr. 100072777/UGD/006/A 500000071935	
HARTING Electronics GmbH D-32339 Espelkamp		Title DIN Power fixing bracket BR 20mm with nut					Rev. A		Page 1/1
		Type TB	Number 09060019925						