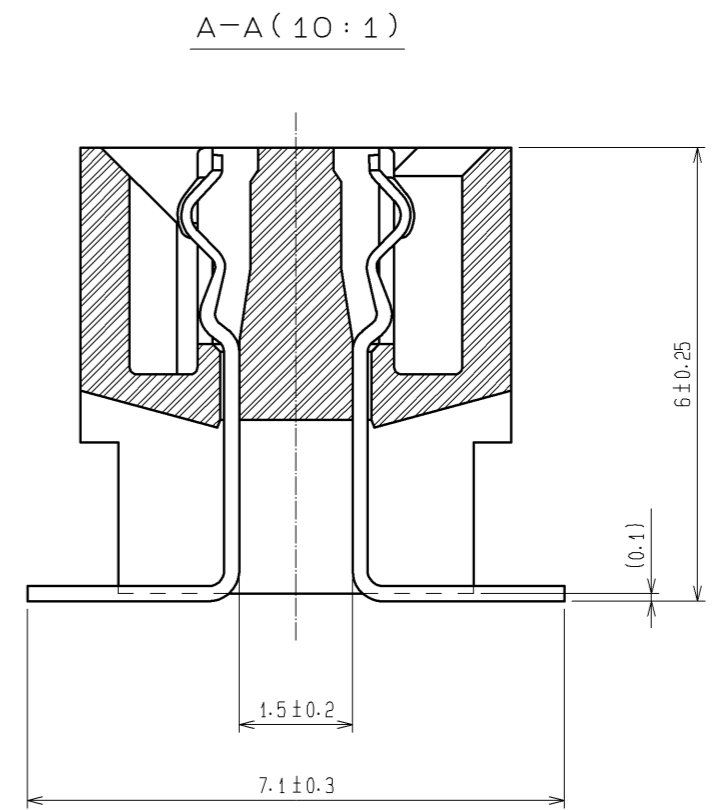
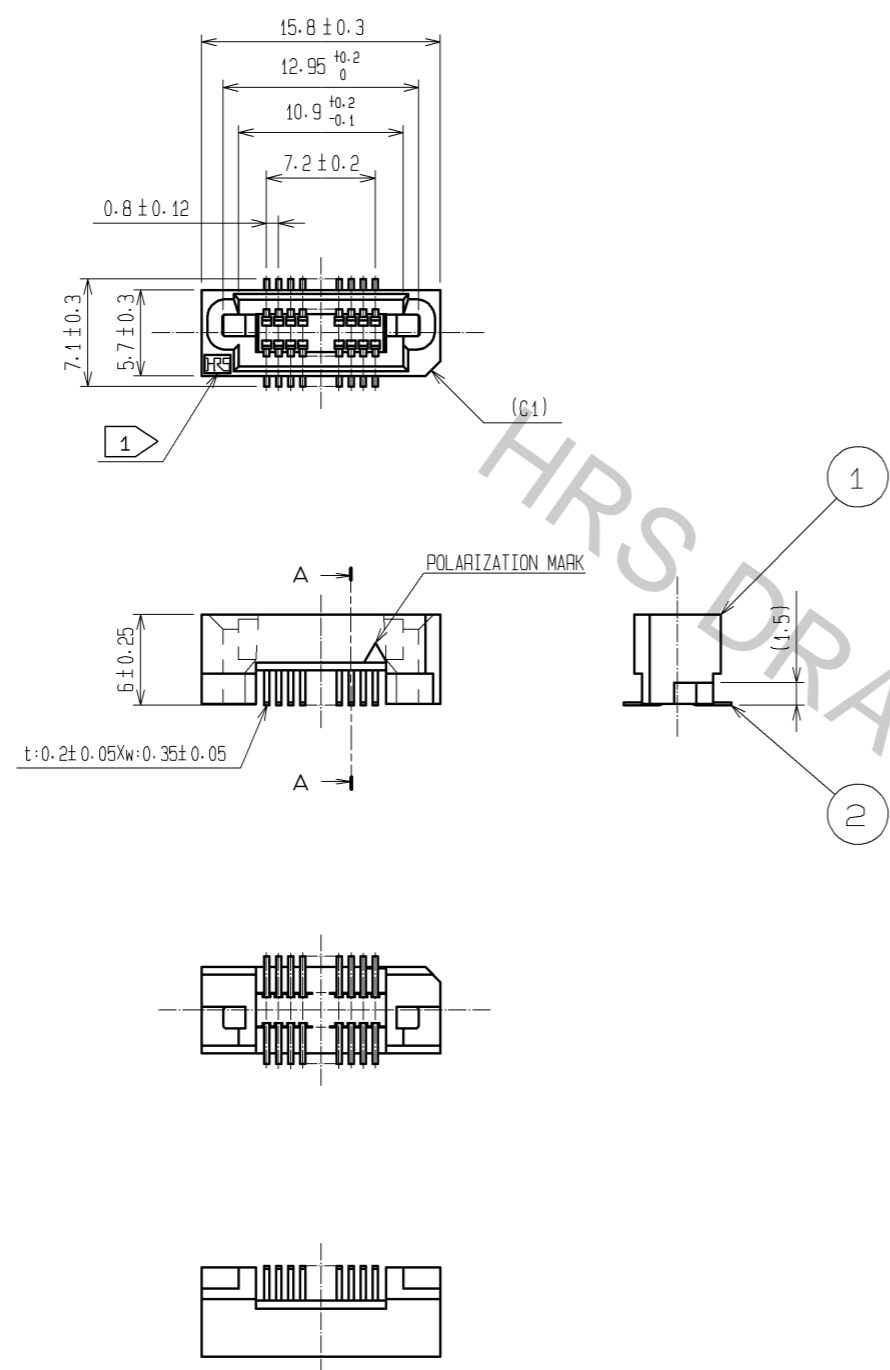
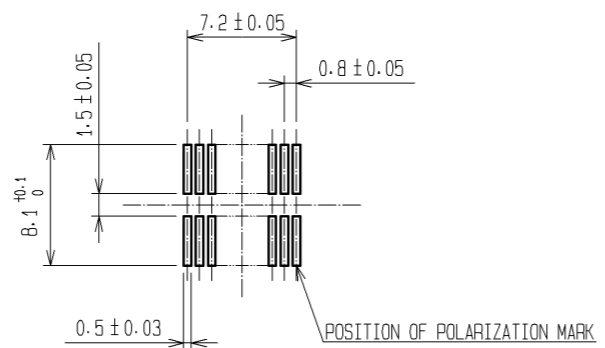


Apr.1.2017 Copyright 2017 HIROSE ELECTRIC CO., LTD. All Rights Reserved.



RECOMMENDED LAND PATTERN DIMENSION OF PCB (MOUNTING SIDE)  
(RECOMMENDED METAL MASK THICKNESS: 0.15mm)



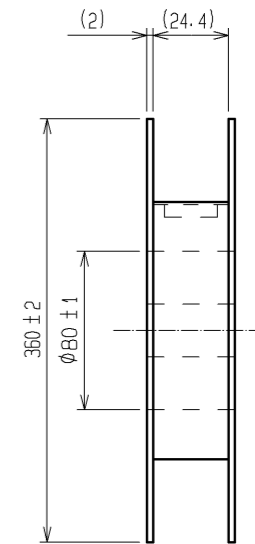
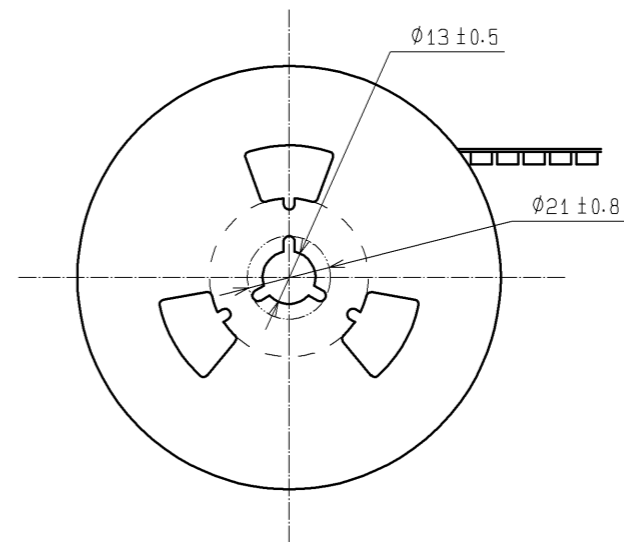
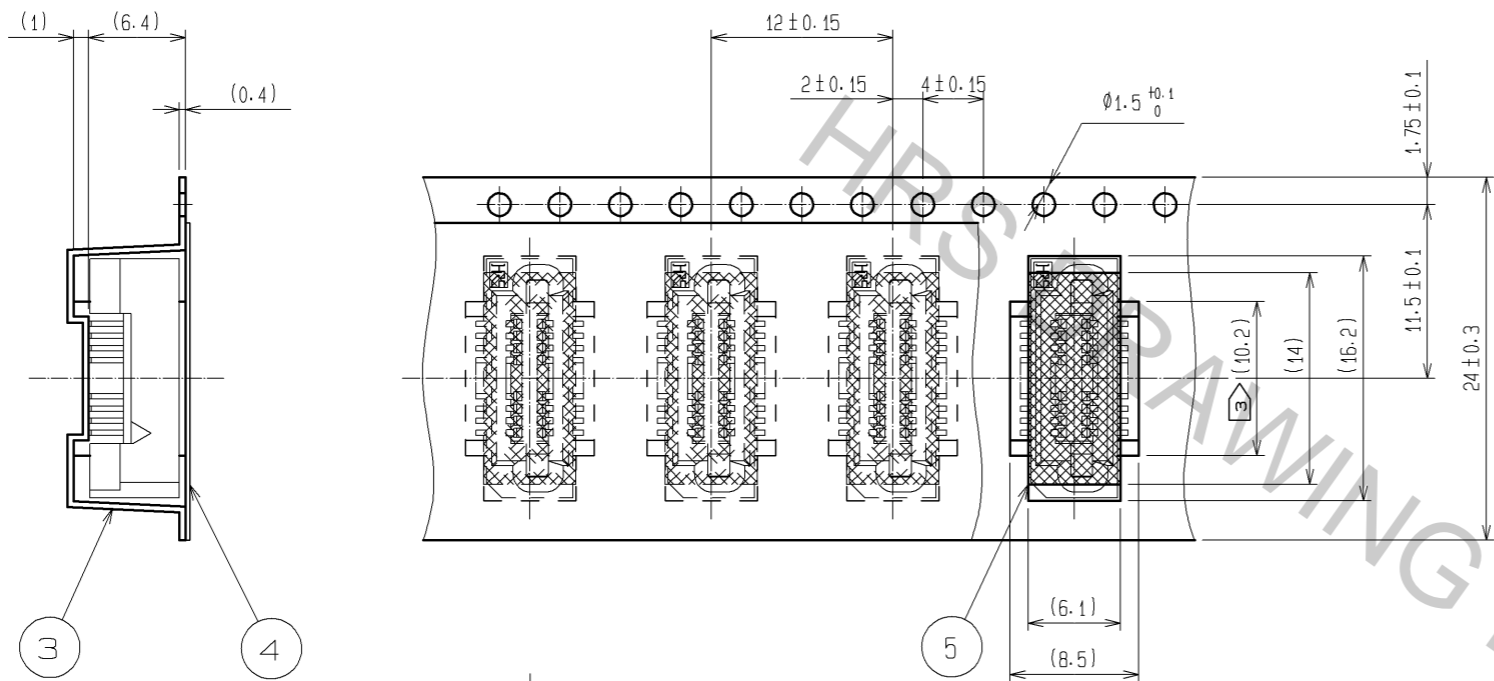
- NOTE
- 1 HRS MARK SHALL BE OPTIONAL.
  - 2 LEAD CO-PLANARITY SHALL BE 0.1mm MAX.
  - 3 EMBOSSED CARRIER TAPE PACKAGING SHALL BE APPLIED FOR THIS PRODUCT. SEE NEXT PAGE FOR DETAILS.
  - 4 THIS PRODUCT HAS TAPE FOR VACUUM PICKUP. SEE NEXT PAGE FOR DETAIL OF STICKING POSITION, ETC.
  - 5 FOR MODIFICATION, ETC. PREVENTIVE HOLE FOR SINK MARK MAY BE ADDED ACCORDING TO CIRCUMSTANCES.
  - 6 THE DIMENSIONS IN PARENTHESES ARE FOR REFERENCE.

2	PHOSPHOR BRONZE	CONTACT AREA: GOLD 0.1µm min.	5	POLYIMIDE	(TAPE FOR VUCUUM PICKUP)			
		LEAD AREA: TIN-PLATING 1µm min.			4	POLYESTER	(TOP COVER TAPE)	
		UNDER PLATING: NICKEL 2µm min.			3	POLYSTYRENE	(EMBOSSED CARRIER TAPE)	
NO.	MATERIAL	FINISH . REMARKS	NO.	MATERIAL	FINISH . REMARKS			
UNITS mm		SCALE 2 : 1	COUNT 	DESCRIPTION OF REVISIONS		DESIGNED	CHECKED	DATE
<b>HRS</b> HIROSE ELECTRIC CO., LTD.		APPROVED : HS. OKAWA	08.03.21	DRAWING NO. EDC3-071318-23				
		CHECED : HS. OZAWA	08.03.21	PART NO. FX6A-20S-0.8SV2(93)				
		DESIGNED : SY. KAMIGA	08.03.21	CODE NO. CL576-0321-4-93				
		DRAWN : HK. SUNADORI	08.03.19					

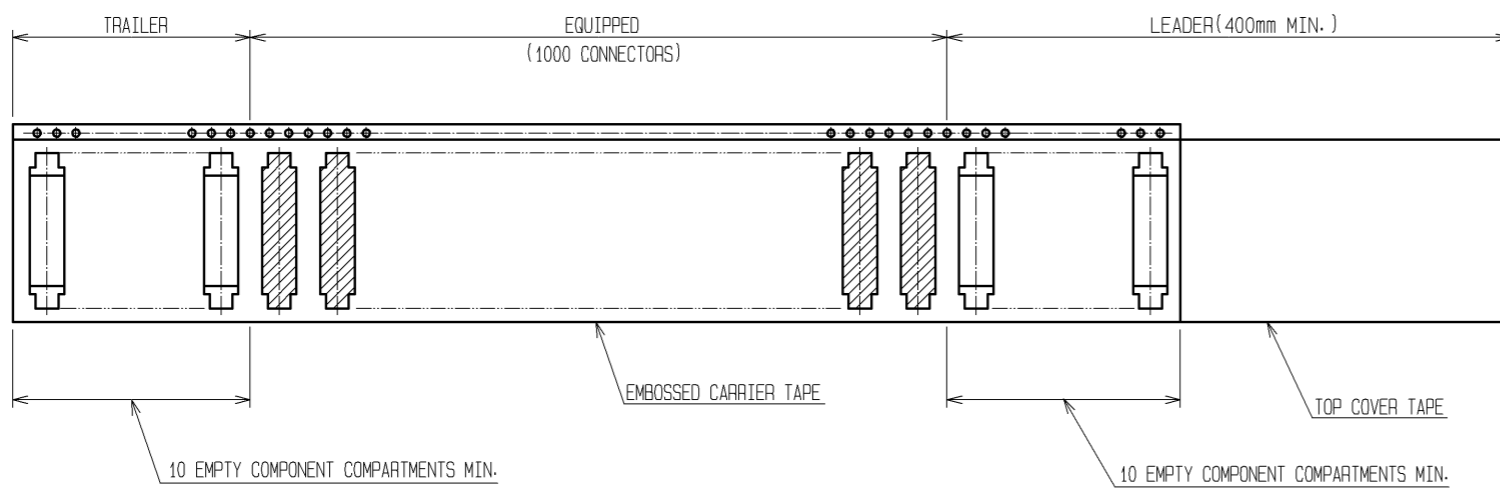
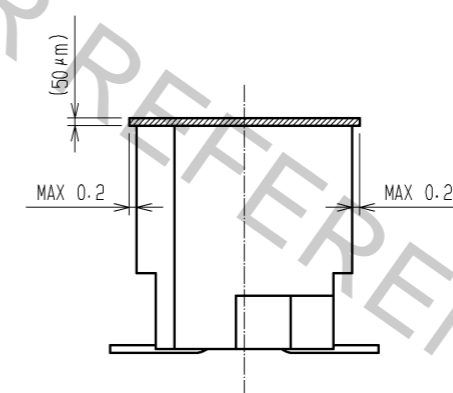
DRAWING FOR PACKING(2:1)

UNREELING DIRECTION

REEL DIMENSION (FREE)



DETAIL OF TAPE FOR VACUUM PICKUP (5:1)



- NOTE 1 1 REEL : 1000 CONNECTORS.  
 2 THE DIMENSIONS IN PARENTHESES ARE FOR REFERENCE.  
 ③ REMOVE THE VACUUM PICKUP TAPE AFTER MOUNTING THE CONNECTOR.

<b>HRS</b>	DRAWING NO.	EDC3-071318-23
	PART NO.	FX6A-20S-0.8SV2(93)
	CODE NO.	CL576-0321-4-93
		△ 2/2