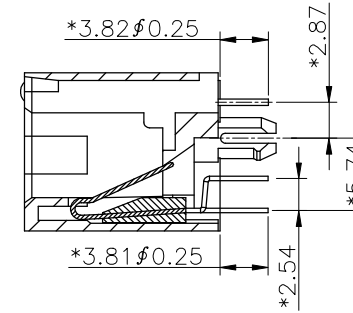
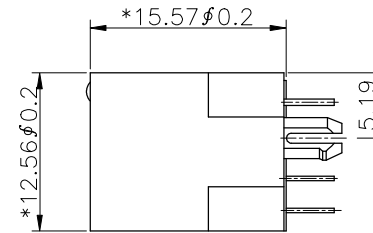
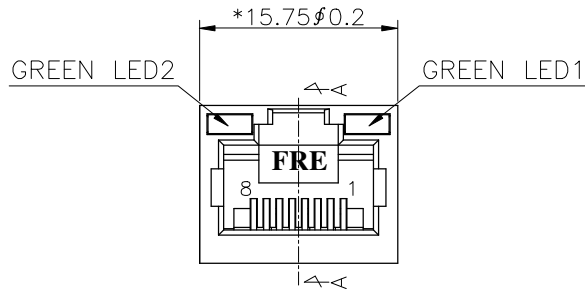
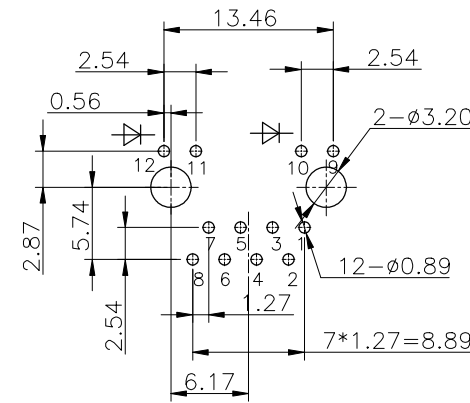
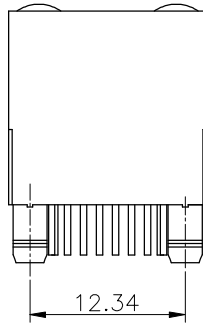


REVISION RECORD		
REV	DESCRIPTION	DRFT



SECTION A-A



PCB LAYOUT

RoHS PART NUMBER: E5J88-20L3RX-L

PLATING: 1-3u" 2-6u" 3-15u"
4-30u" 5-50u"
3R-W/FRE&W/O UL,FR52

NOTES:

ELECTRICAL:

- VOLTAGE RATING : 125 VAC RMS.
- CURRENT RATING : 1.5 AMP.
- CONTACT RESISTANCE : 30 MILLIOHMS MAX.
- INSULATION RESISTANCE: 1000 MEGOHMS MIN @ 500 VDC.
- DIELECTRIC STRENGTH : 1000 VDC RMS 60Hz, 1MIN.
- OPERATING: 750 CYCLES MIN.

MECHANICAL:

- HOUSING MATERIAL : FR52 UL94V-0. COLOR-BLACK
- INSERT MATERIAL : FR52 UL94V-0. COLOR-BLACK
- CONTACT MATERIAL : PHOSPHOR BRONZE 0.35mm THICKNESS
- LED SIZE : 3.5*1.5*7*P=2.54mm
- PCB RETENTION PRE-SOLDER : 1 LB MIN.
- PCB RETENTION POST-SOLDER: 10 LBS MIN.

ENVIRONMENTAL:

- STORAGE : -40°C TO +85°C.
- OPERATION: -40°C TO +85°C.
- WAVE SOLDERING TEMPERATURE: 255~265° C(5~10 SECONDS)
MATES WITH MODULAR PLUG CONFORMING TO
FCC PART 68, SUBPART F.
CUL FILE NO. E163191

DETACHED LISTS	MM (INCH)	DFTO YUKI	DATE 11/07/05'		RoHS Compliant	
	TOLERANCES EXCEPT AS NOTED	CHKD ASHELLY	DATE 2005/11/7			
	MM	±	APPVLLUSHENG	DATE 2005/11/7	TITLE	
	.0 ± 0.20 .00 ± 0.15 .000 ± 0.075	± ± ±	MATERIAL :		RJ45 W/LED JACK 180° 1PORTS	
ANGLES ± 0.5°	QT'Y :		DRAWING NO. GE5J3208-LA		SIZE A3	
THIRD ANGLE PROJECTION	FINISH :		/PART NO. SEE NOTE		REV 0	
SCALE : 2:1			DO NOT SCALE DRAWING		SHEET 1 OF 1	