

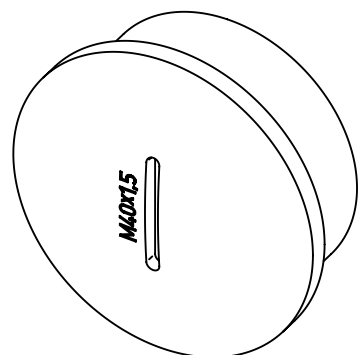
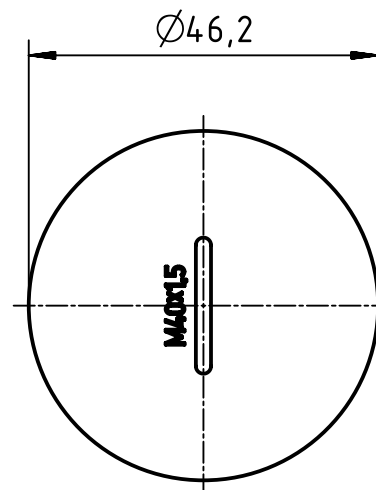
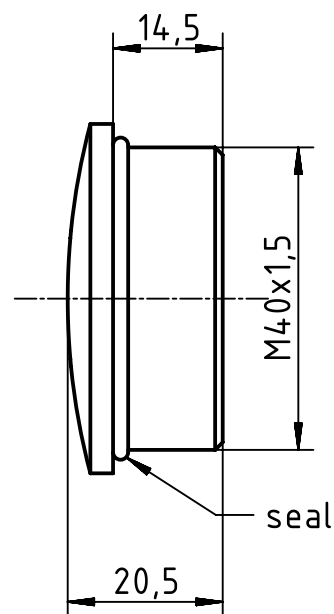
1 2 3 4 5 6

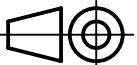

A

B

C

D



	All Dimensions in mm Original Size DIN A4		Scale 1:1	Free size tol.		Ref.	
						Sub.	
	All rights reserved		Created by MEYERLE	Inspected by SCHNIEDER	Standardisation TIEMANNA	Date 2016-05-09	State Final Release
	Department EL PD - DE		Title Acces. Blanking Piece M40 x 1,5			Doc-Key / ECM-Nr. 100195740/UGD/002/A 500000104183	
HARTING Electric GmbH & Co. KG D-32339 Espelkamp			Type TB	Number 19 00 000 5173		Rev. A	Page 1/1