

DWG. NO.
SD-35303-001

SIMILAR ITEM

PROJECT NO.

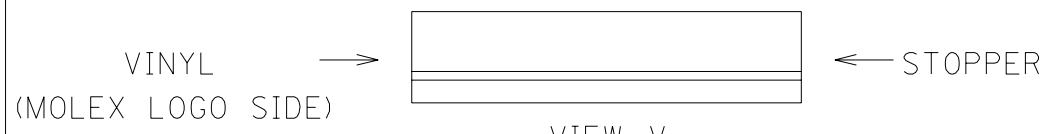
5

4

3

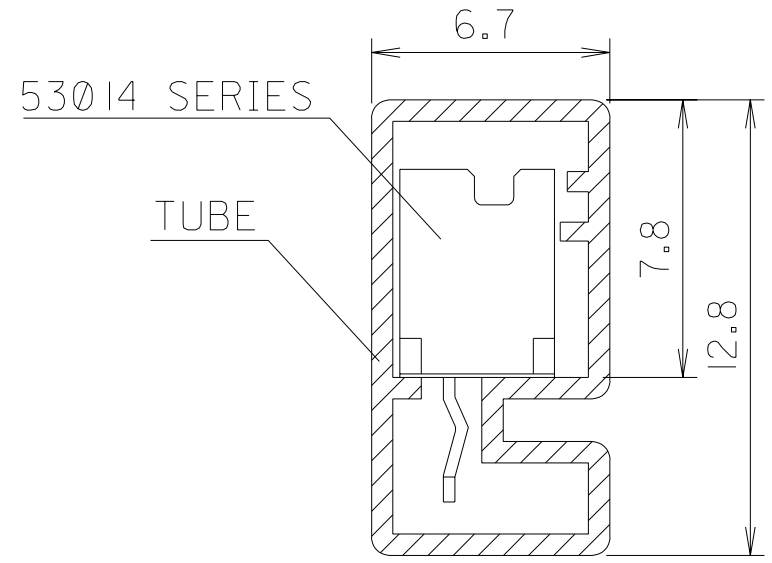
2

1



NOTES
 1. TUBE : STOPPER & VINYL LOCKING TYPE
 2. THICKNESS : 0.6+
 3. LENGTH : 550mm

LEGEND 35303-*** 5 *
 COLOR : 0 --- NATURAL
 1 --- BLACK
 2 --- RED
 3 --- YELLOW
 4 --- BLUE
 CKT (02, 03, 04, ...)



15	35303155*	35303-155*	8	35303085*	35303-085*	53014 SERIES	
14	35303145*	-145*	7	35303075*	-075*		
13	35303135*	-135*	6	35303065*	-065*		
12	35303125*	-125*	5	35303055*	-055*		
11	35303115*	-115*	4	35303045*	-045*		
10	35303105*	-105*	3	35303035*	-035*		
9	35303095*	35303-095*	2	35303025*	35303-025*		
CKTS	MAT'L NO.	ENG NO.	CKTS	MAT'L NO.	ENG NO.		USED ON

NEW RELEASED EC NO. KOR2004-0124 DRWN: K.S.KIM (040324) CH'K: J.K.OH APPR: C.W.LEE	DESCRIPTION MAJOR = CRITICAL =	GENERAL TOLERANCES: (UNLESS SPECIFIED)		SCALE NONE	DESIGN UNITS <input checked="" type="checkbox"/> mm <input type="checkbox"/> INCH	<input type="checkbox"/> THIRD ANGLE <input checked="" type="checkbox"/> PROJECTION	DIMENSIONS: <input type="checkbox"/> mm <input type="checkbox"/> INCH <input checked="" type="checkbox"/> mm ONLY		SHT REV
		4 PLACES $\pm 0.$ mm \pm INCH	DRAWN BY & DATE H.S.SHIN (910220)		TITLE: TUBE PACKAGED FOR 53014 SERIES				
		3 PLACES $\pm 0.$ mm \pm INCH	CHECKED BY & DATE J.K.OH						
		2 PLACES $\pm 0.$ mm \pm INCH	APPROVED BY & DATE C.W.LEE		MOLEX INCORPORATED KOREA				
1 PLACE $\pm 0.$ mm \pm INCH	CAD FILENAME SD-35303-001		MATERIAL NO. SEE TABLE	DRAWING NO. SD-35303-001					SHEET NO. 1 OF 1
DRAFT WHERE APPLICABLE MUST REMAIN WITHIN DIMENSIONS	THIS DRAWING CONTAINS INFORMATION THAT IS PROPRIETARY TO MOLEX INCORPORATED AND SHOULD NOT BE USED WITHOUT WRITTEN PERMISSION.						SIZE A		

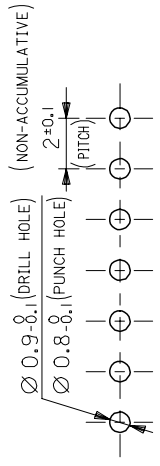
5

4

3

2

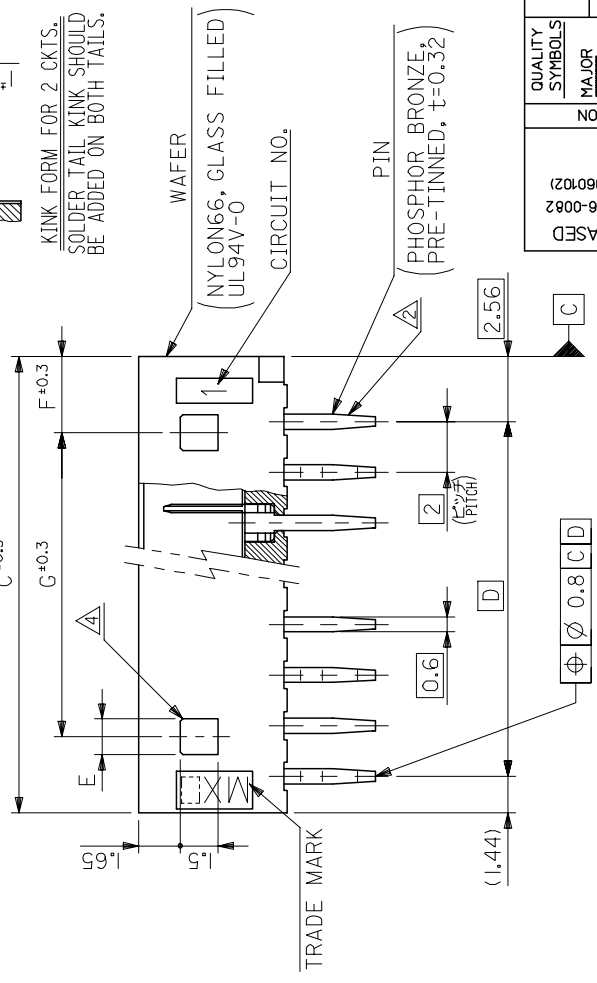
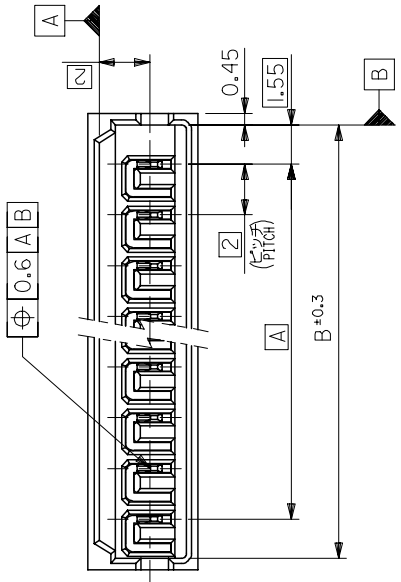
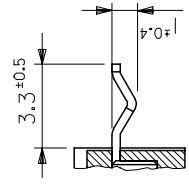
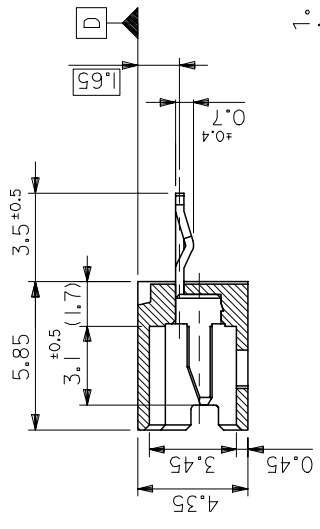
MX-A4



RECOMMENDED P.C. BOARD
HOLE DIMENSION(REFERENCE) t=1.6

NOTES

- MATES WITH : 51004-***00
- KINK TO BE ADDED ON THE ODD NUMBER SOLDER TAILS.(FROM THE TRADE MARK SIDE.)
- * MARK INDICATES DYED COLOR :
"0" NATURAL, "1" BLACK, "2" RED, "3" YELLOW, "4" BLUE
- LOCKING HOLE : 1 PLACE FOR 2, 3 CKTS. AND 2 PLACES FOR 4 CKTS. AND MORE THAN 4 CKTS.



PROJECT NO.	SMILAR ITEM	DWG. NO.	SCALE	DESIGN UNITS	THIRD ANGLE PROJECTION	APPLIED ITEM	ENG. NO.	ENG. NO.	NO. OF CKTS.
26	3	1.4	28	31.1	28	53014-15*	35303-155*	15	
24	3	1.4	26	29.1	26	-14*	35303-145*	14	
22	3	1.4	24	27.1	24	-13*	35303-135*	13	
20	3	1.4	22	25.1	22	-12*	35303-125*	12	
18	3	1.4	20	23.1	20	-11*	35303-115*	11	
16	3	1.4	18	21.1	18	-10*	35303-105*	10	
14	3	1.4	16	19.1	16	-09*	35303-095*	9	
12	3	1.4	14	17.1	14	-08*	35303-085*	8	
10	3	1.4	12	15.1	12	-07*	35303-075*	7	
8	3	1.4	10	13.1	10	-06*	35303-065*	6	
6	3	1.4	8	11.1	8	-05*	35303-055*	5	
4	3	1.4	6	9.1	6	-04*	35303-045*	4	
---	4	3.4	4	7.1	4	-03*	35303-035*	3	
---	3	1.4	2	5.1	2	53014-02*	35303-025*	2	
G	F	E	D	C	B	A	ENG. NO. Δ	ENG. NO. Δ	NO. OF CKTS.

DO NOT SCALE DRAWING
DIMENSION IN METRIC

NEW RELEASED
ECN NO. KOR2006-0082
DRWN: K.S.KIM (060102)
CHK: Y.SOO/KIM
APP: S.H.CHOI

DESCRIPTION

QUALITY SYMBOLS
MAJOR \blacktriangle
CRITICAL \triangle

GENERAL TOLERANCES:
(UNLESS SPECIFIED)
MITI \pm
INCH \pm
4 PLACES $\pm 0.$
3 PLACES $\pm 0.$
2 PLACES $\pm 0.$
1 PLACE $\pm 0.$
ANGULAR: \pm

DRAFT WHERE APPLICABLE MUST REMAIN WITHIN DIMENSIONS

SCALE: 5:1
DESIGN UNITS: MITI INCH
DRAWN BY & DATE: K.S.KIM (060102)
CHECKED BY & DATE: Y.SOO/KIM
APPROVED BY & DATE: S.H.CHOI
CAD FILENAME: SD-35303-010

TITLE: 2.0 LOW PROFILE WAFER ASSY

MATERIAL NO. MOLEX MOLEX INCORPORATED
DRAWING NO. SD-35303-010
SHEET NO. 1 OF 1

REVISION ON CAD ONLY

SIZE B
KOREA
MX-A3