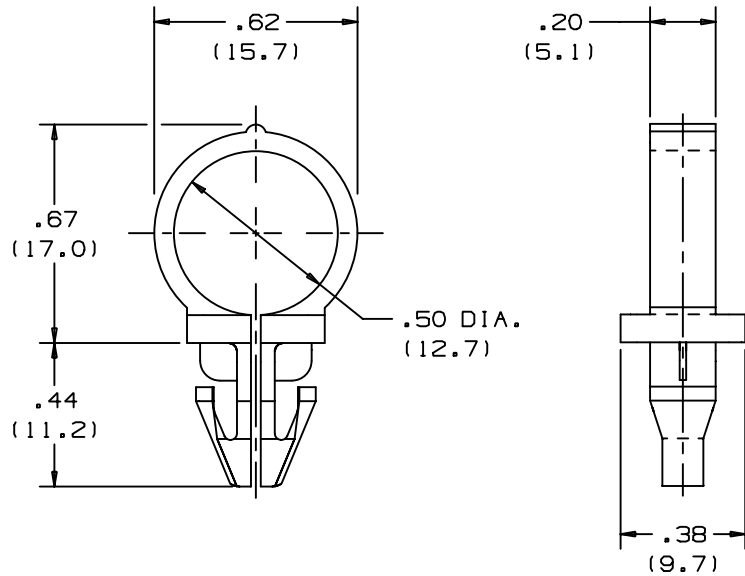


THIS COPY IS PROVIDED ON A RESTRICTED BASIS AND IS NOT TO BE USED IN ANY WAY DETRIMENTAL TO THE INTERESTS OF PANDUIT CORP.



PANDUIT PART NUMBER	MAXIMUM CABLE DIAMETER	PANEL DIMENSIONS		WEIGHT LBS. /100 PCS. (g)
		THICKNESS	HOLE SIZE	
SICH50	.50 (12.7)	.03/.10 (0.8/2.5)	.250 (6.4)	.16 (73)

NOTES:

- SEE CURRENT PRICE SHEET FOR PART NUMBER SUFFIX DESIGNATION FOR PACKAGE SIZE AND PART COLOR.

(DIMENSIONS IN PARENTHESES ARE METRIC)

CAD FILENAME/LAYERS

GB0239JN_PB_SICH50_00



CORP. TINLEY PARK, ILLINOIS

SNAP-IN CLIP
SICH50

UNLESS OTHERWISE SPECIFIED,
DIMENSIONAL TOLERANCES ARE:
(.X) ± N/A (.XXX) ± .010 (.25)
(.XX) ± .02 (.5) ANGLES ± N/A

UNLESS OTHERWISE SPECIFIED,
ALL DIMENSIONS ARE GIVEN
IN INCHES, THIRD ANGLE PROJECTION.

DRAWN BY
LGG

MAT'L:

SCALE
2/1

DATE
9-4-02

NYLON 6/6

DRAWING NO.

GB0239JN

DWG
SIZE
A

REV	DATE	BY	CHK	DESCRIPTION	ECN	R	CUST	SUP
R	9-4-02	LGG		INITIAL RELEASE. REPLACED G-01545	GB0239JN	R		