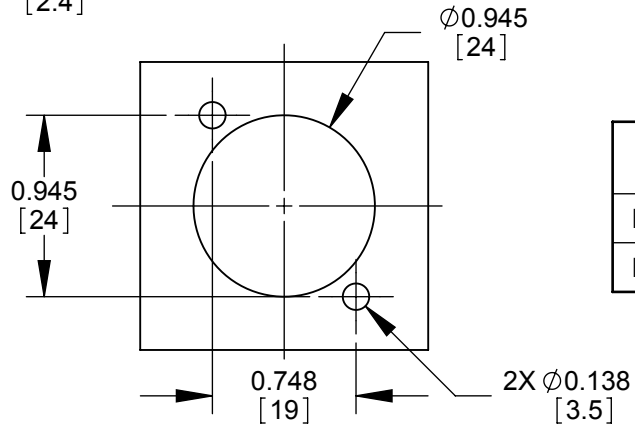
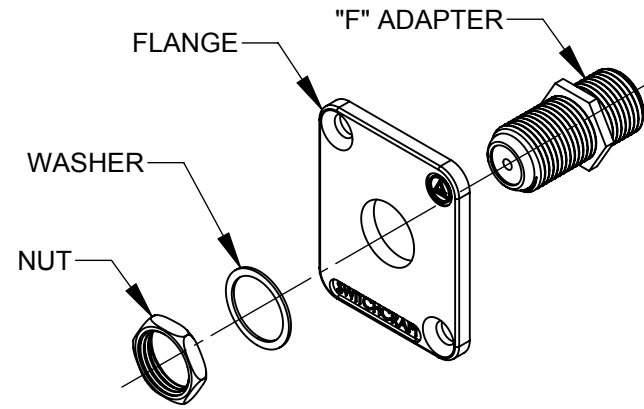
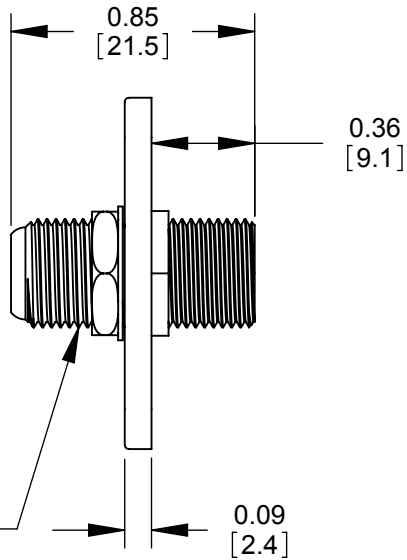
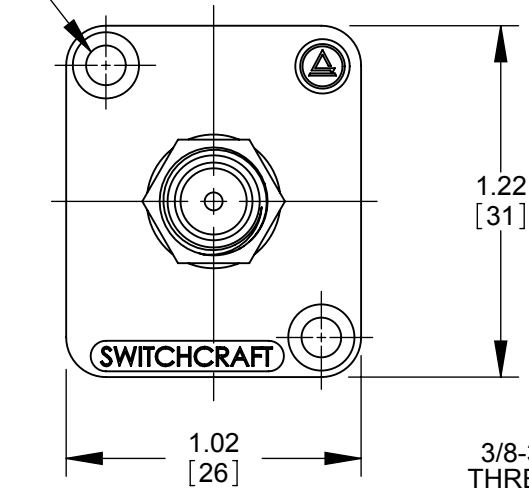


Ø0.14 HOLE
 ✓ Ø0.23 X 82° (2 PLCS)



PART NUMBER	FLANGE FINISH
EHFF2	NICKEL PLATED
EHFF2B	BLACK CHROME

NOTES:

- MATERIAL:
FLANGE - ZINC
- FOR MOUNTING SCREWS TO BE SHIPPED WITH ASSEMBLY, ADD THE SUFFIX "PKG" TO THE PART NUMBER.
- THESE PRODUCTS ARE RoHS COMPLIANT.

RECOMMENDED PANEL CUT-OUT
 SCALE 1:1

CUSTOMER DRAWING

THIS DRAWING DESCRIBES A DESIGN CONSIDERED PROPRIETARY IN NATURE, DEVELOPED AND MANUFACTURED BY SWITCHCRAFT INC. AND IS RELEASED ON A CONFIDENTIAL BASIS FOR IDENTIFICATION PURPOSES ONLY.

UNLESS OTHERWISE SPECIFIED

- ALL DIMENSIONS IN INCHES
 - TWO PLACE DECIMALS ±0.02
 - THREE PLACE DECIMALS ±0.005

SIZE	WIDTH	MULT	LBS/M	TEMPER
FINISH			MATERIAL	
SPEC No.			SPEC No.	
FIRST USED ON		SCALE 3:2		
DATE DRAWN	BY	CHKD	APVD	
06/30/08	BS	JEB 04/01/09	TJK 04/02/09	
NAME			PART No.	
EH SERIES FEMALE "F" TO "F" ADAPTER, RoHS			EHFF2_SERIES	
REVISIONS				REV
DO NOT SCALE DRAWING				A

SolidWorks CAD File



Switchcraft®

SHEET 1 OF 1