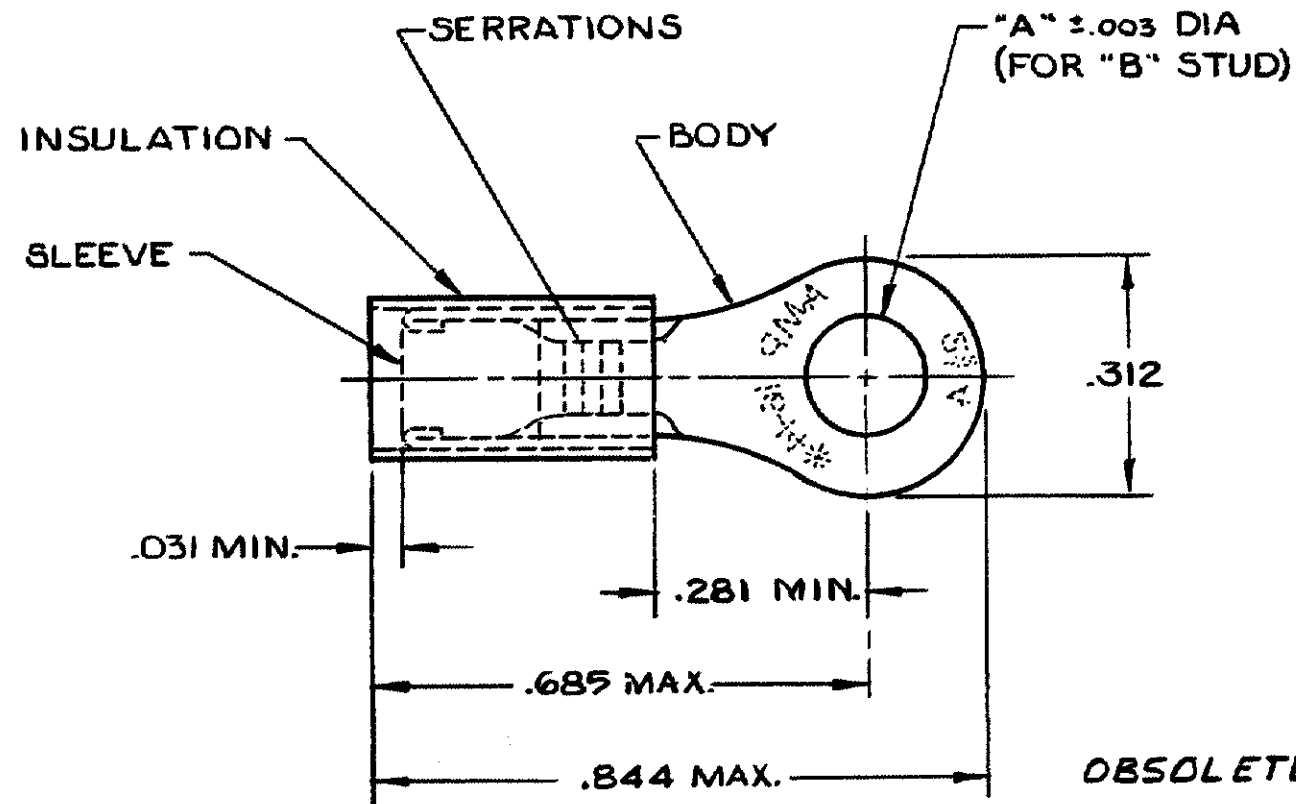


THIS DRAWING IS UNPUBLISHED. RELEASED FOR PUBLICATION, 19

© COPYRIGHT 1968 BY AMP INCORPORATED, HARRISBURG, PA. ALL INTERNATIONAL RIGHTS RESERVED. AMP PRODUCTS MAY BE COVERED BY U.S. AND FOREIGN PATENTS AND/OR PATENTS PENDING.

REVISIONS						
P	F	ZONE	LTR	DESCRIPTION	DATE	APPROVED
✓	✓		D	REDRAWN-REVISED PER G-1477, G-1177 & P85-0081 THRU -0084	1/13/66	[Signature]
✓	✓		E	OBSOLETE -9 PER G-2393	3/23/67	65 [Signature]



WIRE INSULATION DIA. = .105 - .150
 TONGUE MATERIAL THK. = .031 ± .002
 TIN PLATE (MIL-T-10727)
 STAMPING MAY BE ON TOP OR BOTTOM.

OBSOLETE

STUD "B"	DIA. "A"	QUANTITY	DESCRIPTION	PART NO
#10	.197	100	ON TAPE, SM. BOX	51861-9
#10	.197	1000	ON TAPE, LG. BOX	51861-8
#6	.145	100	ON TAPE, SM. BOX	51861-7
#6	.145	1000	ON TAPE, LG. BOX	51861-6
#8	.171	5000	ON TAPE, REEL	51861-5
#10	.197	5000	ON TAPE, REEL	51861-4
#6	.145	5000	ON TAPE, REEL	51861-3
#10	.197	—#—	LOOSE PIECE	51861-2
#8	.171	—#—	LOOSE PIECE	51861-1
#6	.145	—#—	LOOSE PIECE	51861

UNLESS OTHERWISE SPECIFIED DIMENSIONS ARE IN INCHES. TOLERANCES ON: DECIMALS ±.008 ANGLES ± 5°	CONTRACT NO	AMP INCORPORATED Harrisburg, Pa.
	DR UTA / RFB 9-25-85	
MATERIAL INSULATION: PVC - BLUE BODY & SLEEVE: COPPER (QQ-C-576)	CHK [Signature]	NAME WIRE TERMINAL P.I.D.G. RING TONGUE WIRE SIZE: 16-14
	APPD [Signature]	SIZE B FSCM NO 00779 DRAWING NO 51861
FINISH BODY: SEE NOTE	OTHER APPD	SCALE NTS SHEET 1 OF 1