

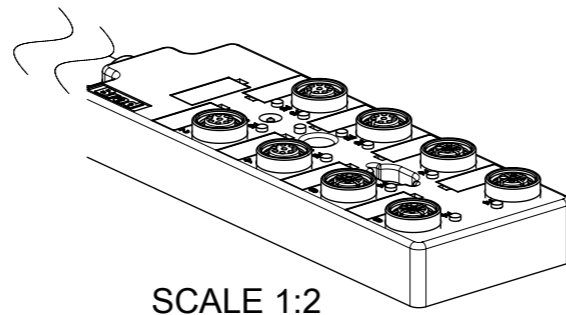
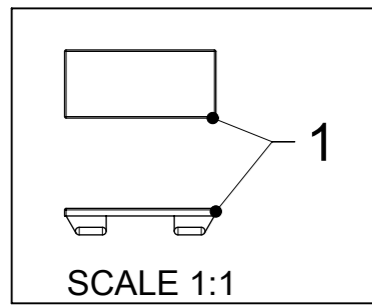
TABLE 1

MOLEX P/N	ENG. NO.	CABLE LENGTH (mm)
1202480500	BTB851P-FBW-05	5000
1202480501	BTB851P-FBW-10	10000
1202480502	BTB851P-FBW-15	15000

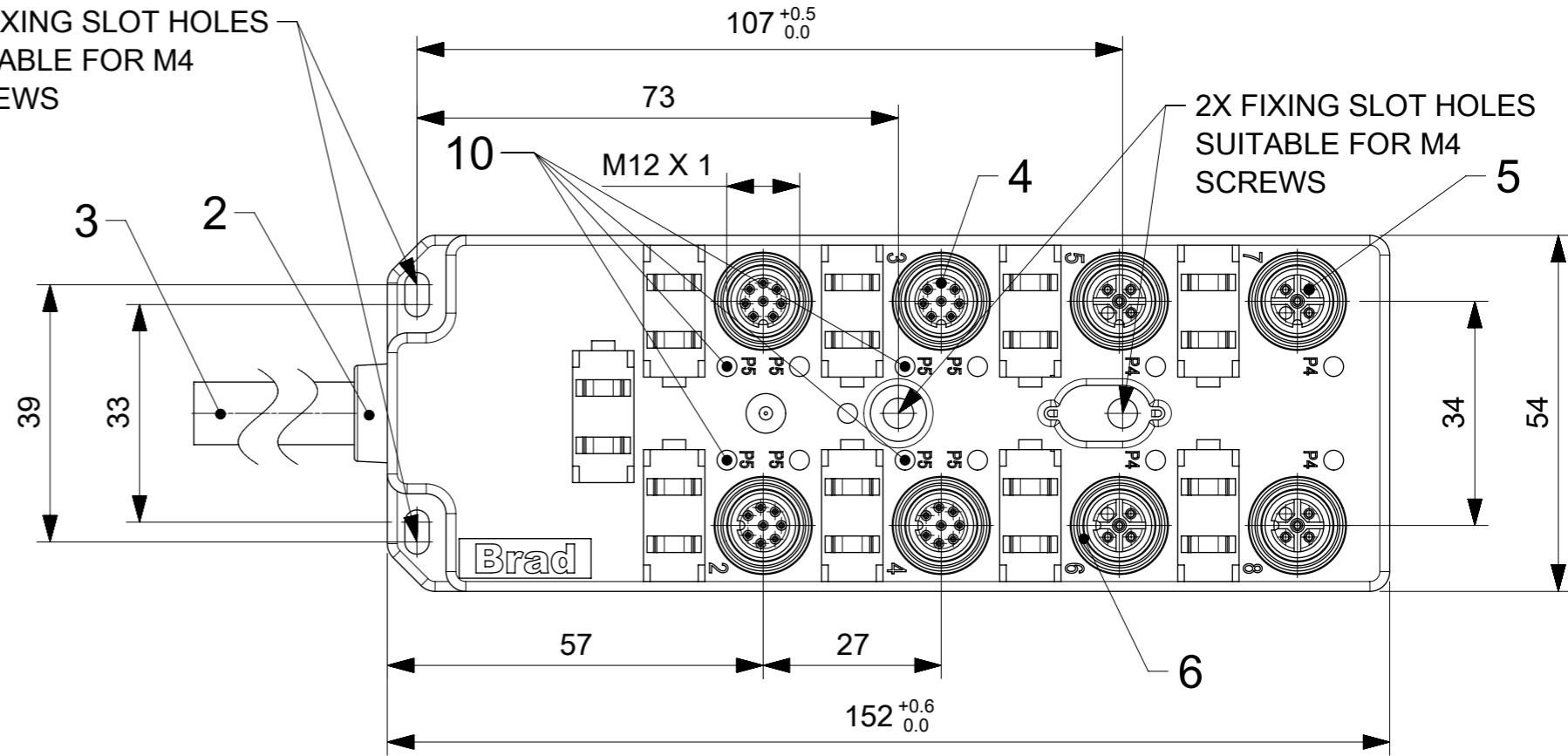
TABLE 2: BILL OF MATERIAL

ITEM	DESCRIPTION	MATERIAL	FINISH
1	LABEL	ABS	WHITE
2	CABLE PLATE	PBT	BLACK
3	CABLE	TPU BASED	BLACK
4	CONTACT	BRONZE	GOLD OVER NICKEL
5	CONTACT	BRONZE	GOLD OVER NICKEL
6	O-RING	FPM	RED
7	LED	PA	TRANSPARENT
8	SHELL	BRASS	NICKEL PLATED
9	HOUSING	PBT	BLACK
10	LED	PA	RED

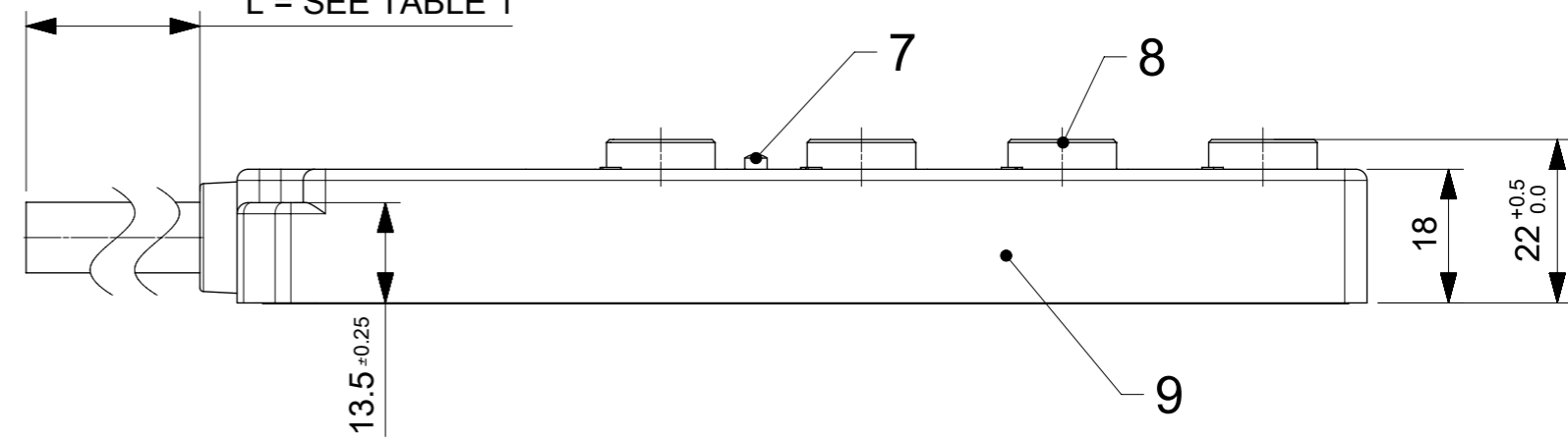
PACKED IN BAG (9X)



2X FIXING SLOT HOLES
SUITABLE FOR M4
SCREWS



L = SEE TABLE 1



GENERAL CHARACTERISTICS:

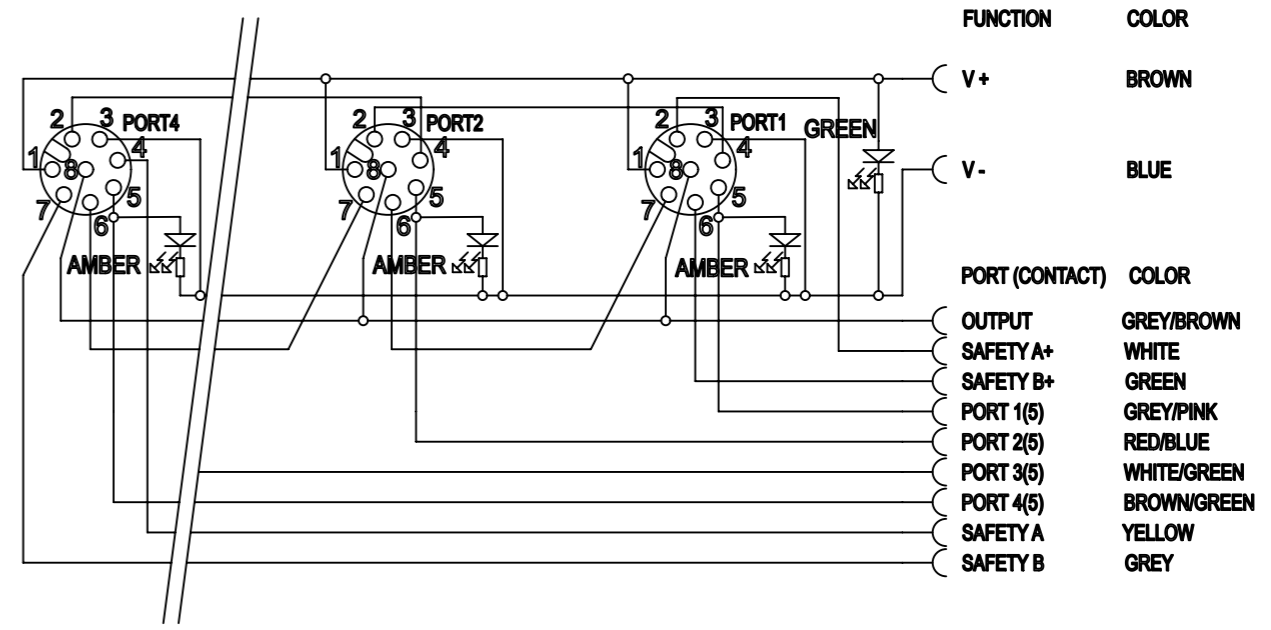
ELECTRICAL AND MECHANICAL DATA ACC. TO IEC 61076-2-101

NOMINAL VOLTAGE: 10-30 V DC
 AMPERE RATING: 4 A PER PORT / 12 A MAX
 AMPERE RATING WITH UL REGISTRATION: 3 A PER PORT / 9 A MAX
 IP DEGREE OF PROTECTION: IP 67
 TEMPERATURE RANGE: -25°C to + 85°C

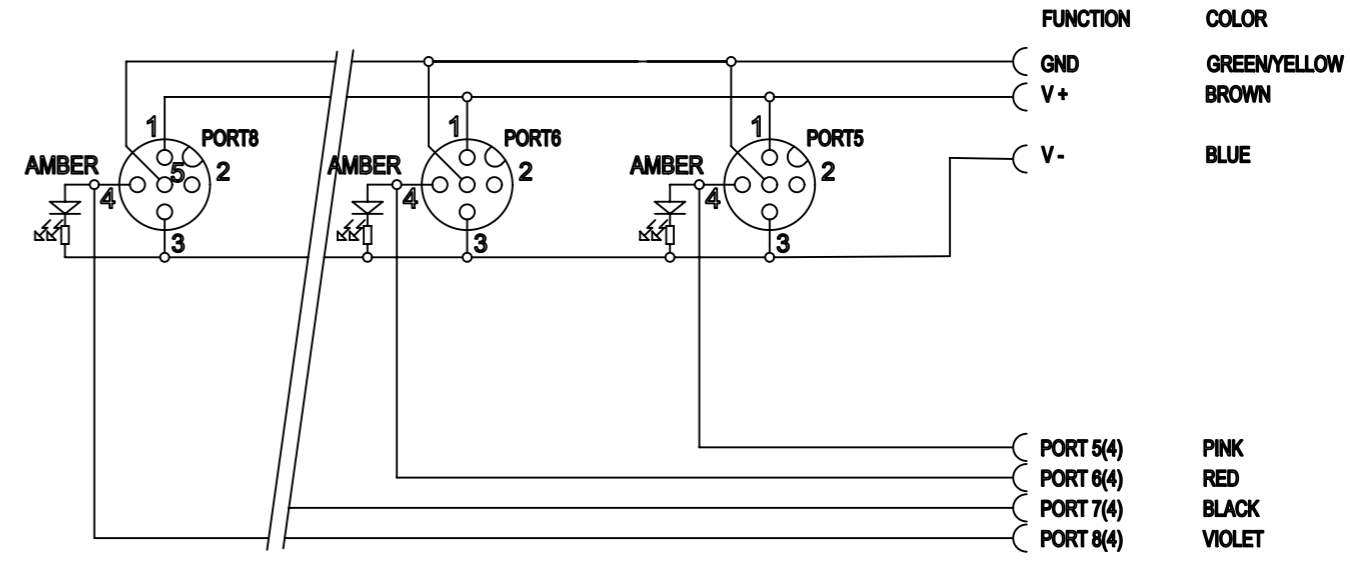
THIS DRAWING CONTAINS INFORMATION THAT IS PROPRIETARY TO MOLEX INCORPORATED AND SHOULD NOT BE USED WITHOUT WRITTEN PERMISSION

EC DESCRIPTION EC NO: 103237 DRWN: SMORADICHARG 2016/02/16 CHK'D: REV APPR: RSILLER	QUALITY SYMBOLS	GENERAL TOLERANCES (UNLESS SPECIFIED)	DIMENSION UNITS	SCALE				
	▽ = 0		MM	1:1				
	∇ = 0		DRWN BY	DATE		MPIS M12 SAFETY PNP NPN NOS 4P 4PT AC FE 8P 4PT AC FE STA BK XM SINGLE		
	∇ = 0		ULETTENMEIER	2015/05/06				
▽ = 0	4 PLACES ±	ANGULAR TOL ± °	CHK'D BY	DATE	PRODUCT CUSTOMER DRAWING			
▽ = 0	3 PLACES ±	2 PLACES ±	RSILLER	2015/12/23				
▽ = 0	2 PLACES ±	1 PLACE ±	APPR BY	DATE	SERIES	MATERIAL NUMBER	CUSTOMER	
▽ = 0	1 PLACE ±	0 PLACES ± 0.25	DRAWING SIZE	THIRD ANGLE PROJECTION	120248	SEE TABLE 1	GENERAL MARKET	
□ = 0	DRAFT WHERE APPLICABLE	MUST REMAIN WITHIN DIMENSIONS	A3		DOCUMENT NUMBER	DOC TYPE	DOC PART	SHEET NUMBER
▽ = 0					1202480500	PSD	000	1 OF 2

Wiring Diagram Safety Wired (Port 1 - 4)



Wiring Diagram PNP single (Port 5 - 8)



QUALITY SYMBOLS ▽ = 0 ▽ = 0 ▽ = 0 ▼ = 0 ▽ = 0 ☒ = 0 ■ = 0 ▽ = 0	THIS DRAWING CONTAINS INFORMATION THAT IS PROPRIETARY TO MOLEX INCORPORATED AND SHOULD NOT BE USED WITHOUT WRITTEN PERMISSION										
	EC DESCRIPTION EC NO: 103237 DRWN: SMORADICHARG CHK'D: APPR: RSILLER	2016/02/16	2016/03/03	GENERAL TOLERANCES (UNLESS SPECIFIED)		DIMENSION UNITS	SCALE				
				ANGULAR TOL ± °		MM					
		4 PLACES ±	DRWN BY		DATE		MPIS M12 SAFETY PNP NPN NOS 4P 4PT AC FE 8P 4PT AC FE STA BK XM SINGLE				
		3 PLACES ±	ULETTENMEIER		2015/05/06						
		2 PLACES ±	CHK'D BY		DATE						
	1 PLACE ±	APPR BY		DATE		PRODUCT CUSTOMER DRAWING					
	0 PLACES ± 0.25	DRAFT WHERE APPLICABLE MUST REMAIN WITHIN DIMENSIONS		RSILLER		2015/12/23		SERIES	MATERIAL NUMBER	CUSTOMER	
		A1	REV	A3		THIRD ANGLE PROJECTION		120248		GENERAL MARKET	
								DOCUMENT NUMBER	DOC TYPE	DOC PART	SHEET NUMBER
							1202480500	PSD	000	2 OF 2	