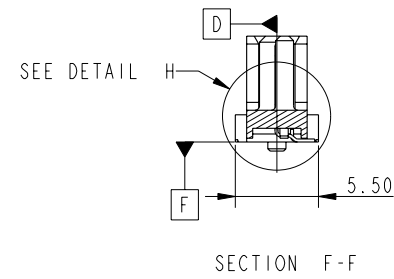
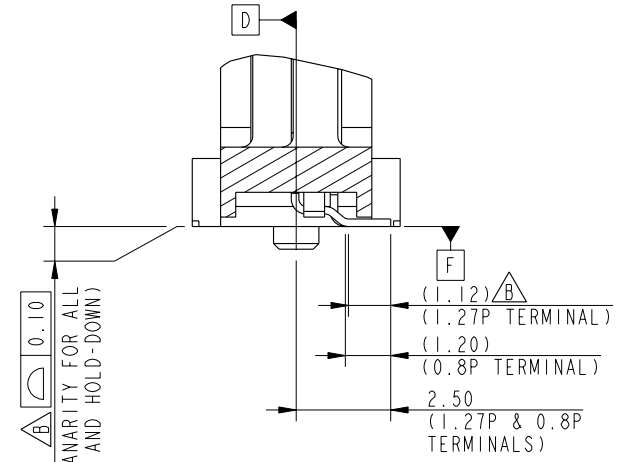
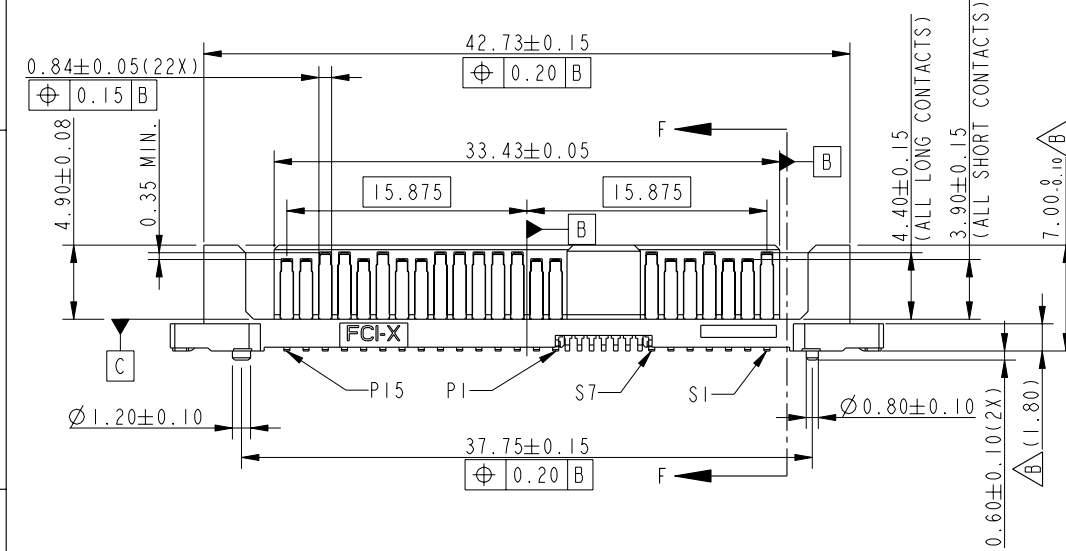
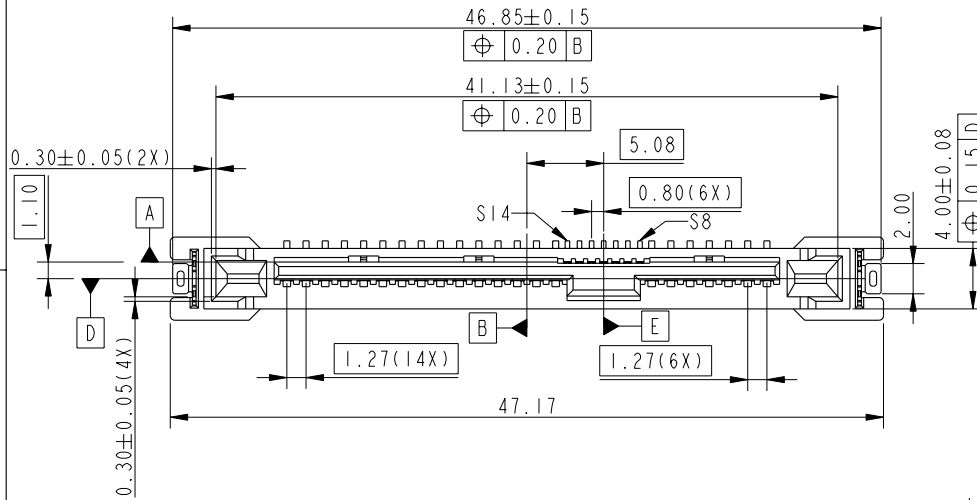


PRODUCT NO.
10105989-001LF



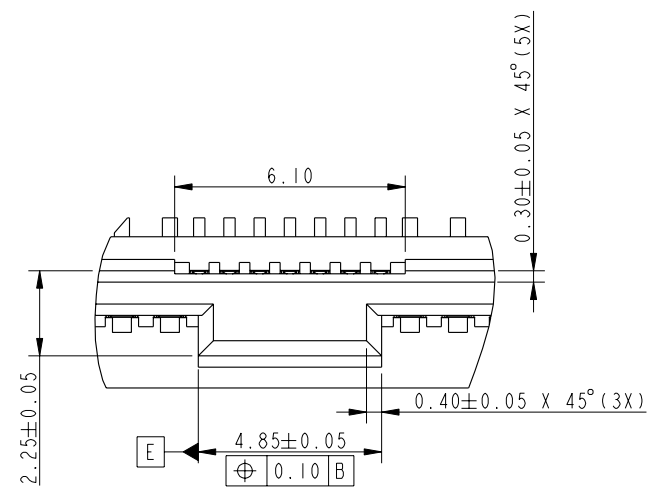
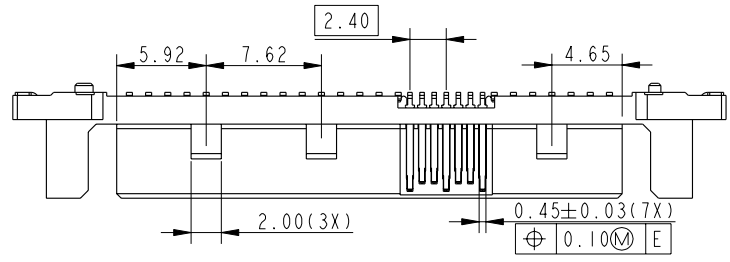
Copyright FCI.

rev	ecn no	dr	date
A	S09-0414	HKL	2009-12-22
B	S10-0191	HKL	2010-09-06
-	-	-	-
-	-	-	-
-	-	-	-

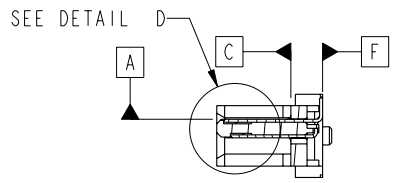
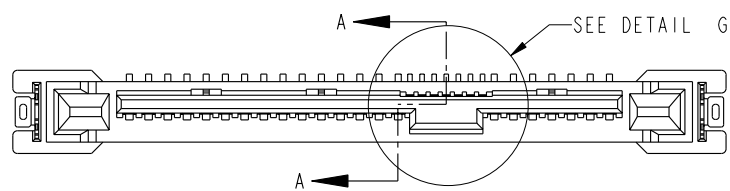
www.fciconnect.com		surface <input checked="" type="checkbox"/>	tolerance std ASME Y14.5	projection	MM
		TOLERANCES UNLESS OTHERWISE SPECIFIED			
Dr	HK LIM	2009-09-10	ANGULAR	size A4	Scale 2.000
Eng	HK LIM	2010-09-06	LINEAR	ECN	S10-0191
Chr	HK LIM	2010-09-06	0° ±2°	Spec ref	
Appr	JOEY NG	2010-09-06	Product family		
FCI		title SAS PLUG VERTICAL SMT ASSY		dwg no 10105989	Rev. B
catalog no		CUSTOMER		sheet 1 of 3	

REV E - 2006-03-28

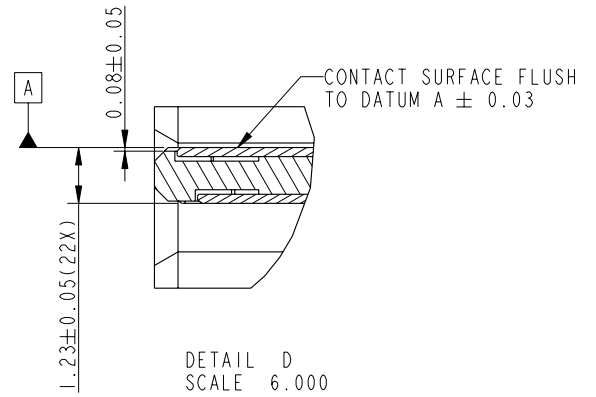
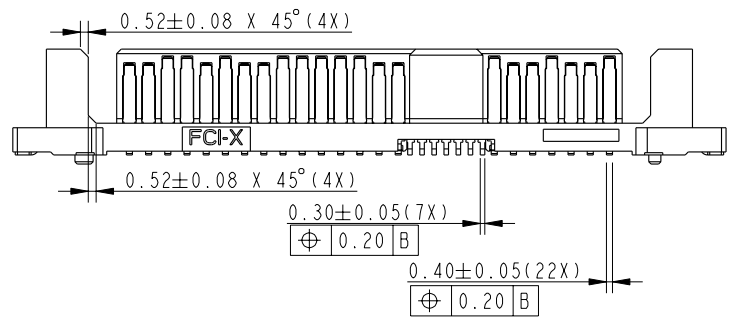
PRODUCT NO.
SEE TABLE



DETAIL G
SCALE 5.000



SECTION A-A



DETAIL D
SCALE 6.000



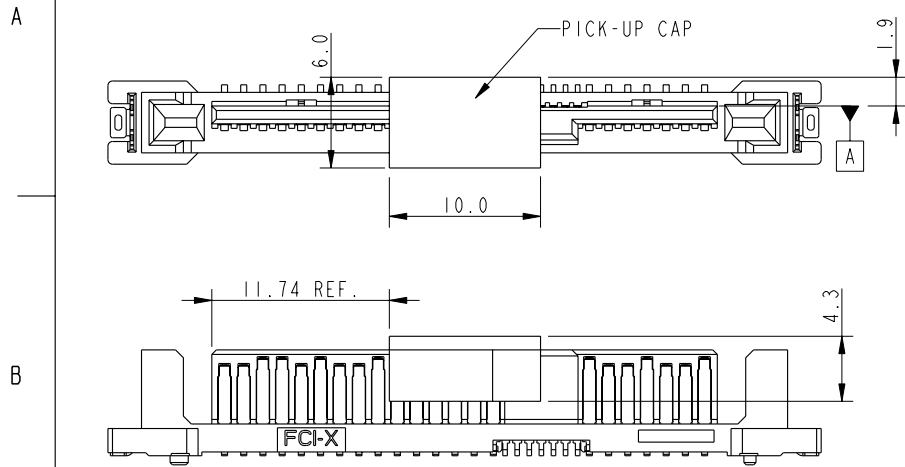
Copyright FCI.



title SAS PLUG VERTICAL SMT ASSY catalog no	10105989		Rev. B
	CUSTOMER	sheet 2 of 3	

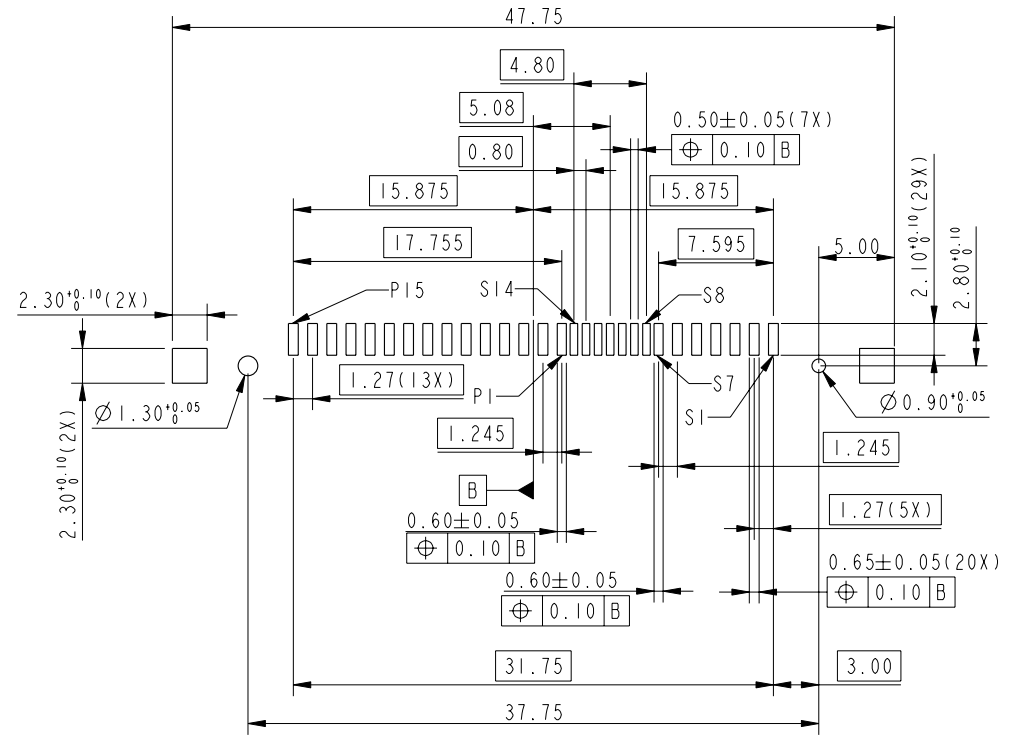
REV E - 2006-03-28

PRODUCT NO.	WITH PICK-UP CAP	PACKAGING
10105989-001LF	NO	TRAY
10105989-001CLF	YES	
10105989-001C-TRLF		



SCALE 2.000

WITH PICK-UP CAP ATTACHMENT



SCALE 2.000

RECOMMENDED PCB LAYOUT

NOTES:

- MATERIAL:
HOUSING & PICK-UP CAP: HIGH TEMPERATURE THERMOPLASTIC, BLACK, UL94V-0
CONTACT & HOLD DOWN: COPPER ALLOY
- FINISH:
CONTACT: 1.27um MIN. Ni UNDERPLATE OVERALL,
1.91um MIN. 100% MATTE Sn(LEAD-FREE) ON SOLDER TAIL,
0.38um MIN. Au ON CONTACT AREA
HOLD DOWN: 1.91um MIN. 100% MATTE Sn(LEAD-FREE) OVER 1.27um MIN. Ni UNDERPLATE OVERALL
- PRODUCT SPEC.: GS-12-282
- THIS PRODUCT MEETS EUROPEAN UNION DIRECTIVES AND OTHER COUNTRY REGULATIONS AS DESCRIBED IN GS-22-008
- THE HOUSING WILL WITHSTAND EXPOSURE TO 260°C PEAK TEMPERATURE FOR 10 SECONDS IN A CONVECTION, INFRA-RED OR VAPOR PHASE REFLOW OVEN
- A SYMBOL WILL BE NEXT TO ANY DIMENSION, VIEW OR NOTE WHICH HAS BEEN MODIFIED WITH THE CURRENT DRAWING REVISION

	title	SAS PLUG	dwg no	10105989	Rev.	B
		VERTICAL SMT ASSY				
	catalog no		CUSTOMER		sheet 3 of 3	