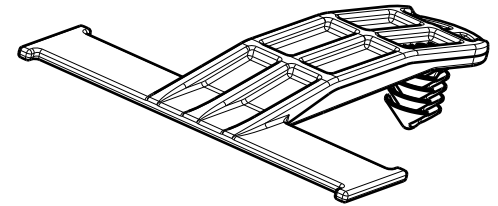


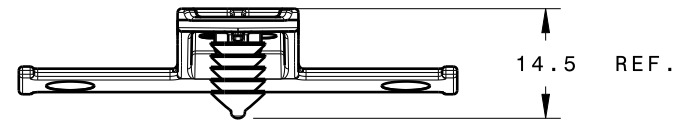
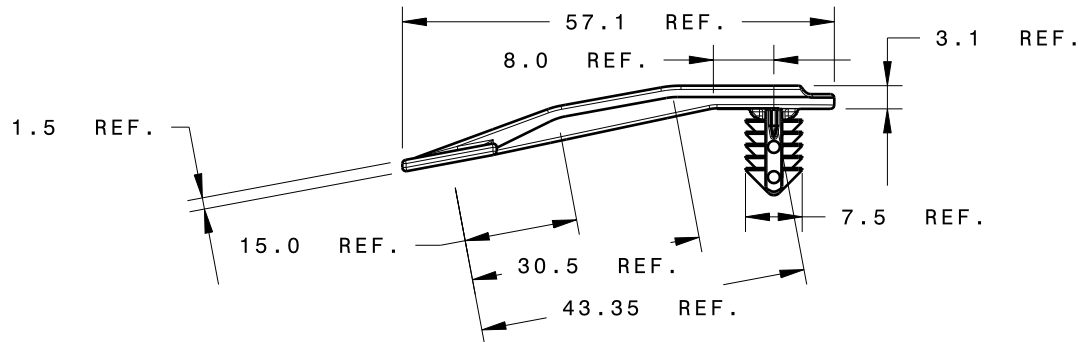
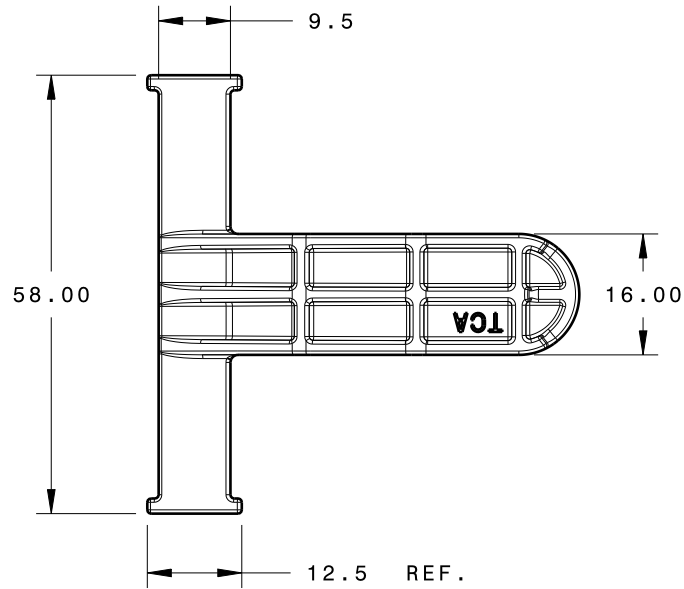
REFERENCE:

PERFORMANCE REQUIREMENTS AT DRY AS MOLDED:

1. SHEET METAL THICKNESS RANGE: 0.60mm - 5.75mm
2. CIRCULAR HOLE SIZE: 6.5 +/- 0.4mm
3. APPLICABLE HEX HOLE: 6.35mm +/- 0.25mm



Isometric view



INVENTORS

**HellermannTyton**<sup>®</sup>

ALL PROPRIETARY RIGHTS IN THE SUBJECT MATTER SHOWN ON THIS DRAWING ARE EXCLUSIVE PROPERTY OF HELLERMANN TYTON

name	date	city, state
SCOTT ADAMS	10/26/10	MENOMONEE FALLS, WI.

REVISIONS

level	by	date	ECN #	part level
03	AAC	03/30/12	012060	B

DIMENSIONS

TOLERANCES	units
.XXXX = ± 0.25	millimeters
.XXX = ± 0.375	
.XX = ± 0.50	
.X = ± 1.00	
∠ = ± 1.0	
unless otherwise specified	

PART

number	SOC10FT6LG	phase	PRODUCTION
name			
43mm OFFSET TAPE CLIP WITH 6.5mm FIR TREE			
material			
PA66 HIRHS COLOR: NATURAL			

DRAWING

FORMAT	AH	CAD	CATIA V5	SCALE	2:1
VERSION	J	previous drawing number			
A- SIZE (landscape)_N01					
drawn	S. ADAMS	checked	S. ADAMS	approved	
	11/1/10		03/30/12		
type	CUSTOMER		sheet 1 of 1		
number	MT10-0944-001CST				