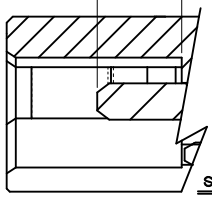


**RECOMMENDED PCB LAY OUT**  
[GENERAL TOLERANCE ±0.05]

[POSITIVE LOCKING HOUSING] [FRICTION LOCKING HOUSING]  
MATED CONDITION (REF.)

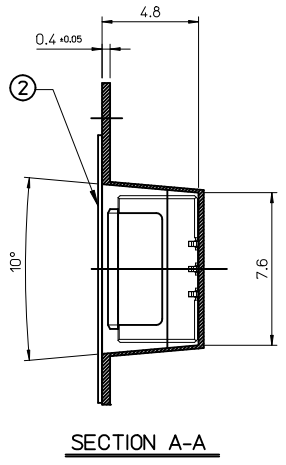
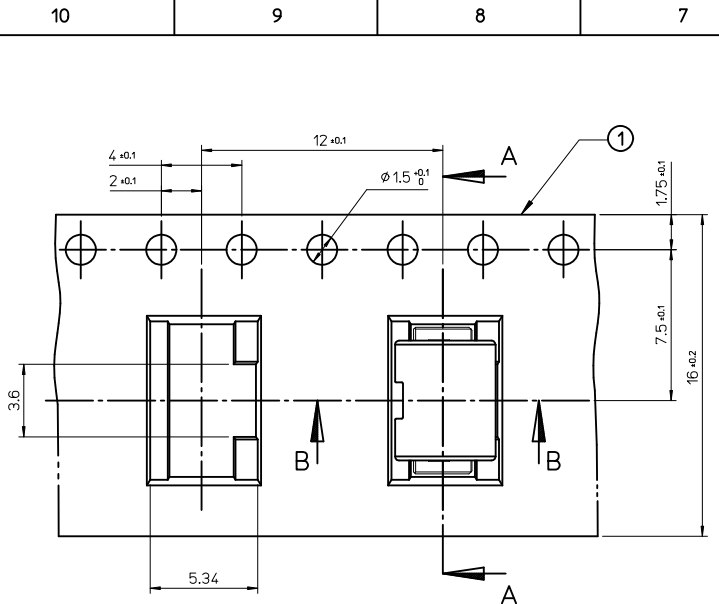
- NOTES.**
- MATED WITH : 104131-0300 / 104131-0310
  - MATERIALS.
    - HEADER : LCP E130i, GLASS FILLED, UL 94V-0 HALOGEN FREE, COLOR OF NATURAL
    - CONTACT TERMINAL : PHOSPHOR BRONZE, 0.25mm Thickness
    - FITTING NAIL : PHOSPHOR BRONZE, 0.2mm Thickness
  - FINISHES.
    - CONTACT TERMINAL : PURE-TIN PLATING ON OVERALL. THICKNESS : 3.0µm~5.0µm UNDER PLATING Ni OVERALL. THICKNESS : 1.25µm~3.75µm
    - FITTING NAIL : PURE-TIN PLATING ON OVERALL. THICKNESS : 3.0µm~5.0µm UNDER PLATING Ni OVERALL. THICKNESS : 1.25µm~3.75µm
  - COPLANALITY OF SOLDER TAIL (PEAK TEMP. : 260°C) BEFORE & AFTER REFLOW : 0.08MAX



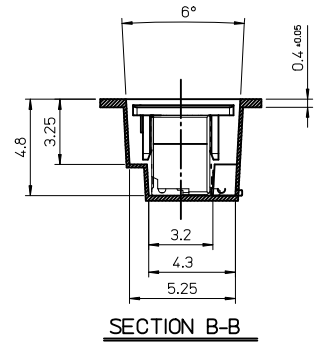
**SECTION Z-Z**

**ORDER NUMBER 104130-0310**

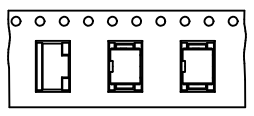
<b>RELEASED</b> EC NO: KOR2012-0059 DRWN: JHPARK01 2011/12/19 CHKD: SHCHU 2011/12/19 APPR: YUNSIKKIM 2011/12/29	<b>QUALITY SYMBOLS</b> ▽=0 ◁=0	<b>GENERAL TOLERANCES (UNLESS SPECIFIED)</b>		<b>DIMENSION STYLE MM ONLY</b>		SCALE	DESIGN UNITS	THIRD ANGLE PROJECTION	
			mm	INCH	DRAWN BY	DATE	TITLE		1.25MM WTB CONN, 3P HEADER ASS'Y
		4 PLACES	± ---	± ---	JHPARK01	2011/12/19			
		3 PLACES	± ---	± ---	CHECKED BY	DATE			
			2 PLACES	± 0.15	± ---	SHCHU	2011/12/19		
			1 PLACE	± 0.15	± ---	APPROVED BY	DATE		
			ANGULAR ± 1 °			YUNSIKKIM	2011/12/29		
			DRAFT WHERE APPLICABLE MUST REMAIN WITHIN DIMENSIONS			MATERIAL NO.	DOCUMENT NO.	SHEET NO.	
						1041300310	SD-104130-001	1 OF 01	
						THIS DRAWING CONTAINS INFORMATION THAT IS PROPRIETARY TO MOLEX INCORPORATED AND SHOULD NOT BE USED WITHOUT WRITTEN PERMISSION			



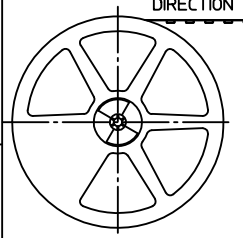
PULL OUT DIRECTION



SECTION B-B



PULL OUT DIRECTION



PLASTIC BOBBIN

NOTES

1. QUANTITY OF CONNECTORS : 1,500 PCS/REEL
2. LEAD LENGTH
3. PEELING OFF FORCE OF COVER TAPE : 0.1N~0.59N(10.2GF~60GF)  
 (PEELING DIRECTION AS SHOW IN FOLLOW FIG.)  
 PEELING OFF SPEED : 300mm/Min.(Ref.)
4. FLASH IN ANY PORTION SHOULD BE LESS THAN 0.20mm MAX.
5. UNLESS OTHERWISE SPECIFIED INNER R0.2 MAX
6. DRAFT ANGLE 3°MAX

[TABLE]

1041300310	104130-0310	16.0mm	104130-9901
MATERIAL NO.	CONNECTOR	TAPE WIDTH	EMBOSS TAPE

3	PLASTIC BOBBIN	HI P.S	WHITE
2	COVER TAPE	PET ANTISTATIC	13.3m
1	CARRIER (EMBOSS) TAPE	PET ANTISTATIC	
NO.	DESCRIPTION	MATERIAL	REMARK

ORDER NO 104130-0310

RELEASED EC NO: KOR2012-0059 DRWN: JHPARK01 2011/12/19 CHKD: SHCHU 2011/12/19 APPR: YUNSIKKIM 2011/12/29	QUALITY SYMBOLS	GENERAL TOLERANCES (UNLESS SPECIFIED)	DIMENSION STYLE	SCALE	DESIGN UNITS	THIRD ANGLE PROJECTION	
	$\nabla = 0$ $\sphericalangle = 0$	mm INCH 4 PLACES ± --- ± --- 3 PLACES ± --- ± --- 2 PLACES ± --- ± --- 1 PLACE ± 0.25 ± --- ANGULAR ± 3°	MM ONLY		METRIC		
		DRAFT WHERE APPLICABLE MUST REMAIN WITHIN DIMENSIONS	DRAWN BY DATE JB. JIN 2010/01/21 CHECKED BY DATE SH. CHU 2010/01/21 APPROVED BY DATE YUNSIKKIM 2011/12/29	TITLE	EMBOSSED PACKAGE 1.25 WIRE TO BOARD CONN. HEADER ASS'Y-3P		
			MATERIAL NO. 1041300310	MOLEX INCORPORATED DOCUMENT NO. SD-104130-002	SHEET NO. 1 OF 1		