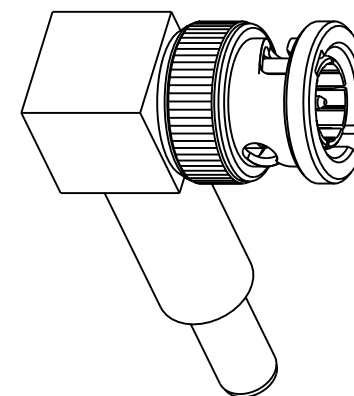


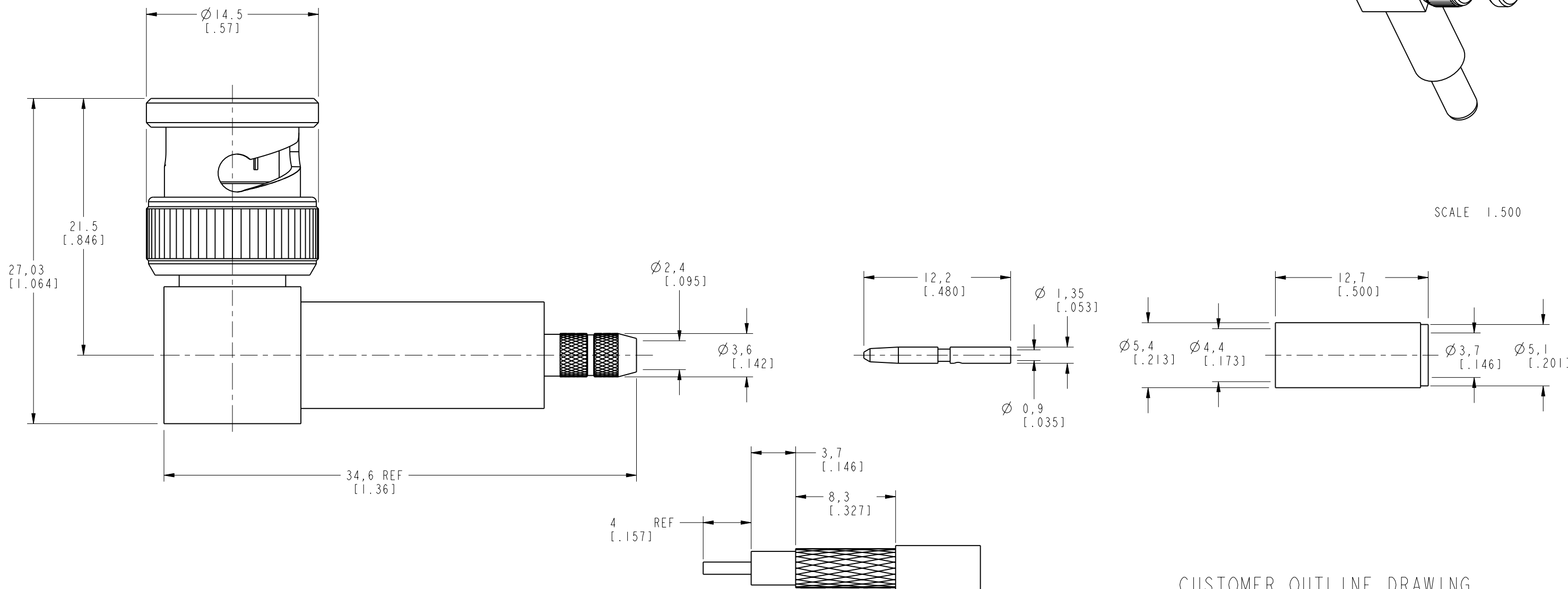
NOTES:

- SHELL, HOUSING, BODY, RETAINER RING, RING & FERRULE = BRASS (QQ-B-626), NICKEL PLATED
 CONTACT PINS (2) = BRASS (QQ-B-626), GOLD PLATED.
 CONTACT PIN = PHOSPHOR BRONZE, GOLD PLATED
 INSULATOR (2) = TEFLON PER MIL-P-19468
 GASKET = SILICONE RUBBER, COLOR RED
 SPRING = COPPER, NICKEL PLATED
 WASHER & COVER = BRASS (QQ-B-613), NICKEL PLATED
- CRIMPED FERRULE = HEX CAVITY SIZE .178
 CRIMPED CENTER CONTACT = .042 SQUARE CAVITY

31-70240		REVISIONS			
DRAWING NO.	REV	DESCRIPTION	DATE	ECO	APPR
THIRD ANGLE PROJ.	A	RELEASE TO MFG.	4/13/00	43315	CPM
	B	CORRECTED BODY VIEW	4/27/01	43745	CPM



SCALE 1.500



RECOMMENDED CABLE STRIPPING DIMENSIONS
SCALE 3.000

CUSTOMER OUTLINE DRAWING
ALL OTHER SHEETS ARE FOR INTERNAL USE ONLY

UNLESS OTHERWISE SPECIFIED, DIMENSIONS ARE IN INCHES AND TOLERANCES ARE: 2 PLACE DECIMAL ±.015 (0,381 mm) 3 PLACE DECIMAL ±.005 (0,127 mm) ANGLES ± 1°	MATERIAL	DRAWN C. McGRATH	DATE 04-Apr-00	TITLE BNC R/A CRIMP PLUG (FOR 735A CABLE)		Amphenol Amphenol Corporation Communication and Network Products Division Danbury, CT U.S.A. 06810	
	REFERENCE EAR 967514-0 GEN# ASSYM5-BNC75	ENGINEER T. AUBIN	DATE 04-Apr-00				
NOTICE - These drawings, specifications, or other data (1) are, and remain the property of Amphenol Corp. (2) must be returned upon request; and (3) are confidential and not to be disclosed to any person other than those to whom they are given by Amphenol Corp. The furnishing of these drawings, specifications, or other data by Amphenol Corp., or to any other person to anyone for any purpose is not to be regarded by implication or otherwise in any manner licensing, granting rights or permitting such holder or any other person to manufacture, use or sell any product, process or design, patented or otherwise, that may in any way be related to or disclosed by said drawings, specifications, or other data.		APPROVED T. AUBIN	DATE 12-Apr-00	CODE ID 74868	DWG SIZE B	DRAWING NO. 31-70240	REV B
							SCALE: 3.0:1 SHEET 2 OF 2