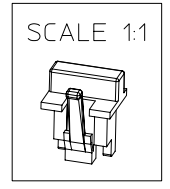
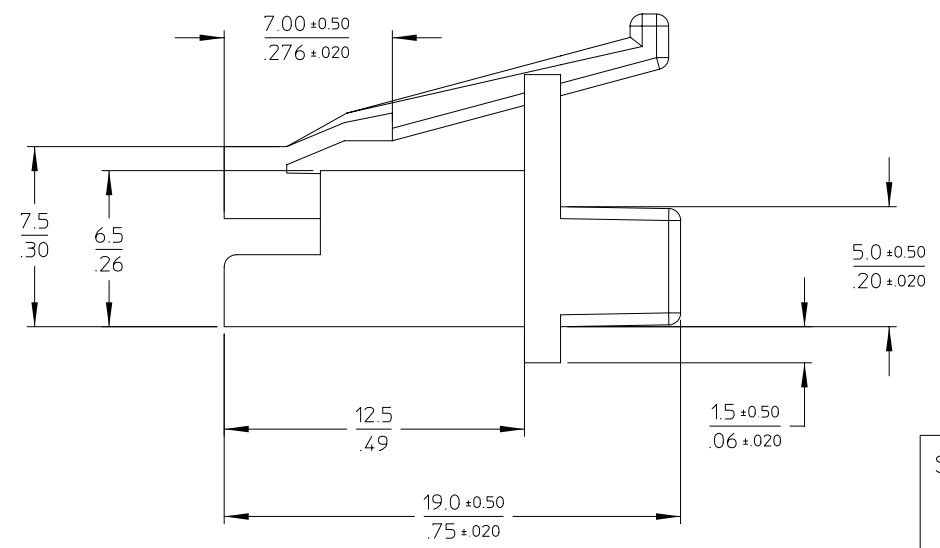
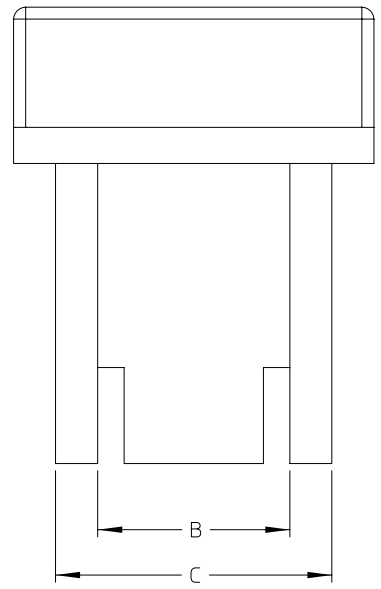
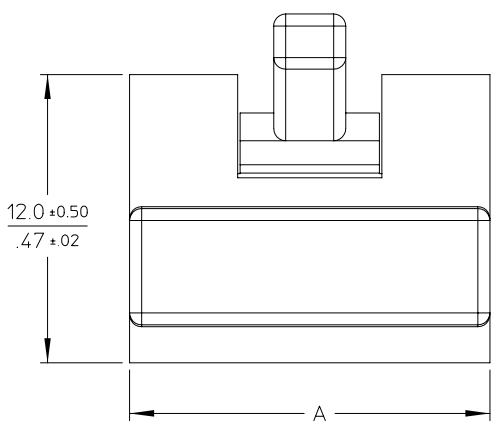


10 9 8 7 6 5 4 3 2 1

F
E
D
C
B
A



NOTES:

- 1- MATERIAL: POLYCARBONATE MUST MEET UL 94 V1
- 2- COLOR: BLACK

CHART VERSION	MAT. NUMBER
8/8	85999-3255
6/6	85999-3256

DIM	VERSION	
	8/8	6/6
A	15.0±0.5 .59±.02	13.0±0.5 .51±.02
B	8.00 .315	6.00 .236
C	11.50 .453	9.60 .378

EC NO: M022002004788 DRWN: RKUBATIN 2002/04/09 CHKD: SFLIPON 2002/04/08 APPR: MHEIM 2002/04/08	QUALITY SYMBOLS	GENERAL TOLERANCES (UNLESS SPECIFIED)		SCALE 5:1	DESIGN UNITS METRIC	THIRD ANGLE PROJECTION	REVISE ON CAD ONLY	
	DESCRIPTION ▽ = 0 ∇ = 0		mm	INCH	DIMENSION STYLE MM/IN		TITLE BLIND PLUG 8/8, 6/6	
		4 PLACES	± ---	± ---	DRAWN BY JKEICHER	DATE 99/11/29	MOLEX INCORPORATED	
		3 PLACES	± ---	± .006	CHECKED BY MFASOLD	DATE 99/11/29		
2 PLACES	± 0.15	± .01	ANGULAR ± .5 °		APPROVED BY FBORDRON	DATE 99/11/29	MATERIAL NO. SEE CHART	
		DRAFT WHERE APPLICABLE MUST REMAIN WITHIN DIMENSIONS		THIS DRAWING CONTAINS INFORMATION THAT IS PROPRIETARY TO MOLEX INCORPORATED AND SHOULD NOT BE USED WITHOUT WRITTEN PERMISSION		DOCUMENT NO. SD-85999-056	SHEET NO. 1 OF 1	

9 8 7 6 5 4 3 2 1