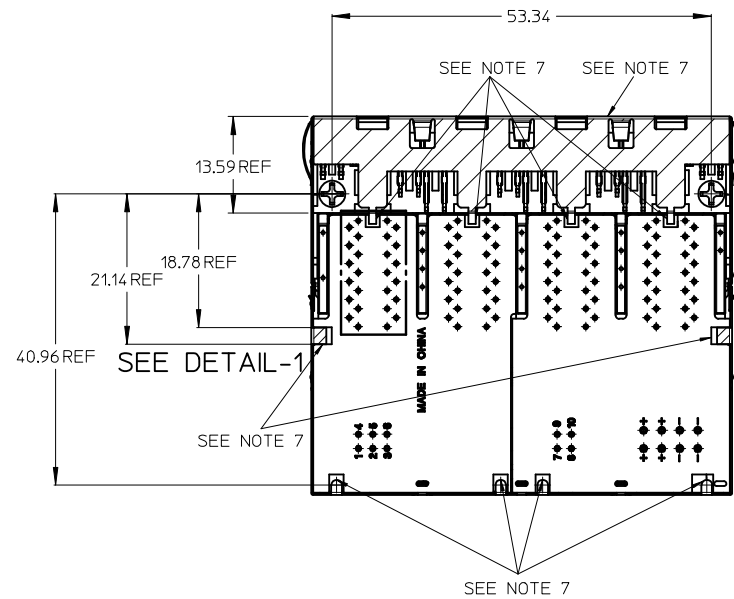
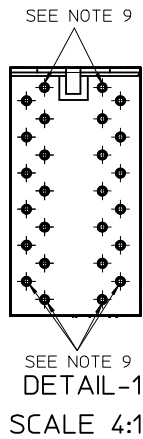
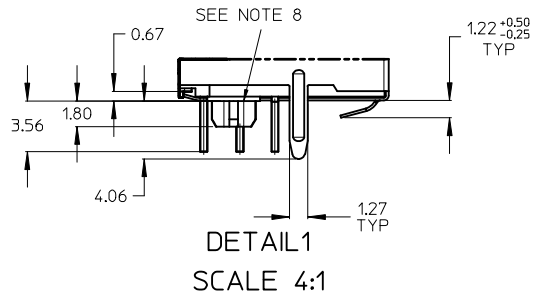
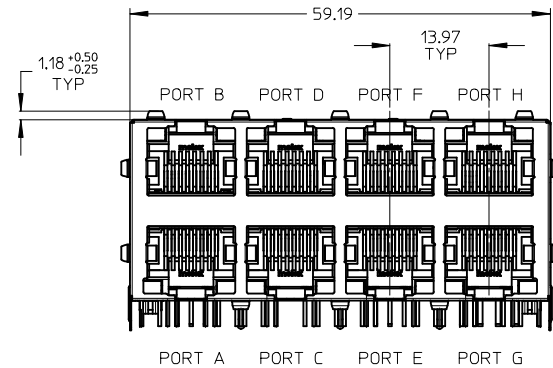
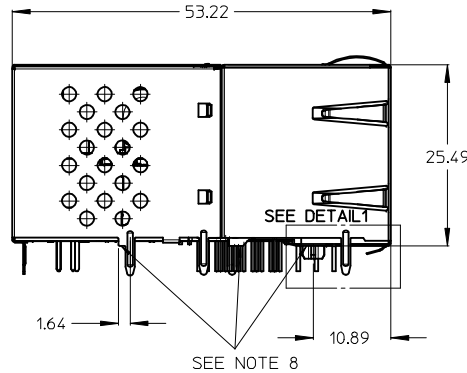


ALL IN ONE POWER SOURCING EQUIPMENT SOLUTION ACCORDING
 IEEE Std802.3-2012 WITH INTEGRATED POWER OVER ETHERNET PLUS CONTROL
 CIRCUITRY, I2C BUS CONTROL INTERFACE, GIGABIT ETHERNET
 TRANSFORMERS AND BICOLOR LED'S. AUTONOMOUS POE PLUS PSE
 OPERATION OR COMPREHENSIVE PORT CONTROL WITH EXTERNAL
 POWER MANAGEMENT.

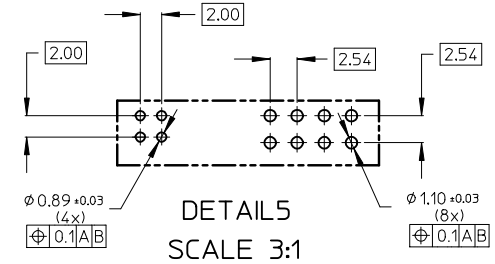
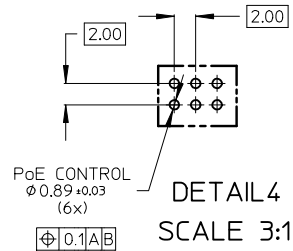
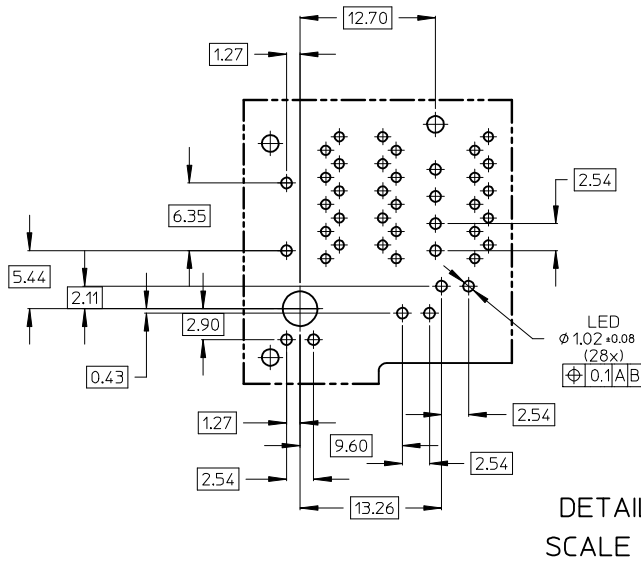
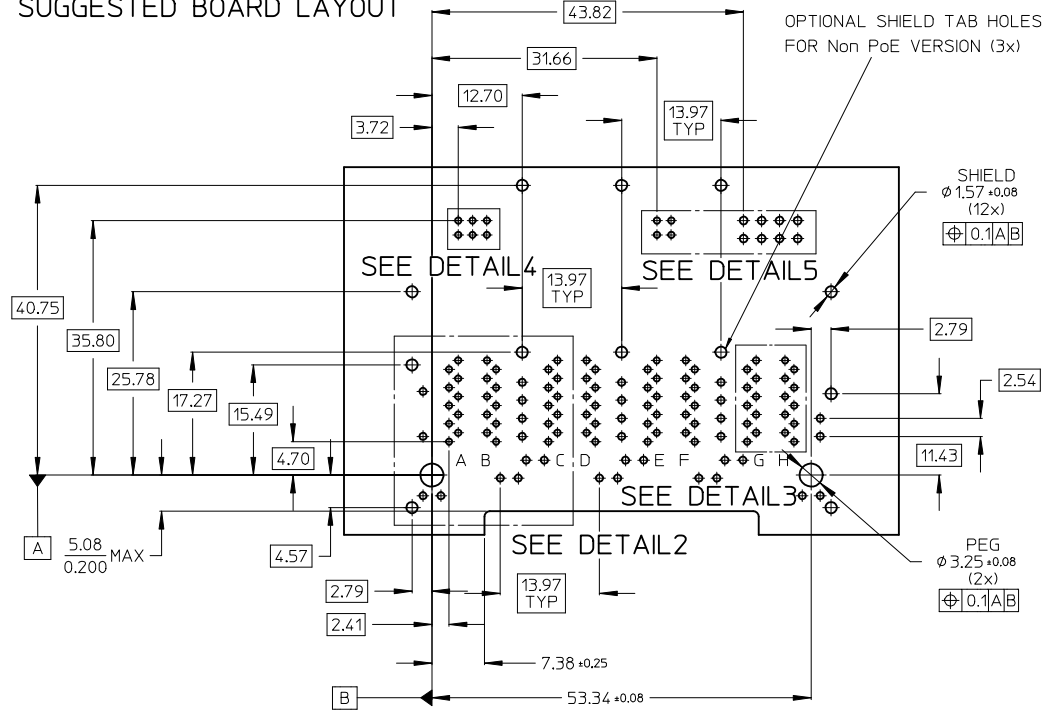
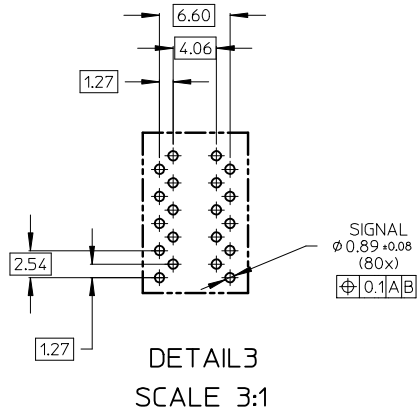


NOTES:

- 1 - SHIELD MATERIAL: BRASS. PLATING: Ni PRE-PLATING
- 2 - PLASTIC MATERIAL: POLYESTER (PBT) BLACK, 30%GR, UL 94V-0
- 3 - TERMINALS MATERIAL: COPPER ALLOY
 -BASE FINISH: NICKEL
 -CONTACT SURFACE FINISH GOLD OR GOLD FLASH OVER PALLADIUM NICKEL
 EXCEEDS PRODUCT REQUIREMENTS BASED ON PS-85717-001
- 4 - MATING INTERFACE ACCORDING TO IEC 60603-7
- 5 - PRODUCT SPECIFICATION: PS-85717-001
- 6 - PACKAGING SPECIFICATION: PK-85729-101
- 7 - TRACES WITHOUT INSULATION NOT ALLOWED IN THE DASHED AREAS.
 (TO AVOID SHORTS TO SHIELD)
- 8 - STAND OFF TO SYSTEM BOARD
- 9 - STUBBED PINS -> AVOID TO ROUTE TRACES OR TO PLACE ANY
 VIAS OR PADS BELOW THESE PINS
- 10 - MISSING MAGNETICS AND LED INFORMATIONS SEE PS-85717-001

| NO CHANGE IEC NO: 2013/04/09 DRAWN: JBADER CHKD: MMANGARUDOV 2013/07/29 APPR: SSTE INKE 2015/11/26 | DESCRIPTION | QUALITY SYMBOLS | GENERAL TOLERANCES (UNLESS SPECIFIED) | DIMENSION STYLE | SCALE | DESIGN UNITS | THIRD ANGLE PROJECTION | | | | | | | | | | | | | | | | | | |
|--|-------------|---|---|-----------------|--------------|--------------|------------------------|--|------------|-----------|--------------|------------|----------|--------|--------|---------|-------|--------|----------------|--|--|---------|-----|--------|--|
| | | $\nabla=0$ $\nabla=0$ | <table border="1"> <thead> <tr> <th></th> <th>mm</th> <th>INCH</th> </tr> </thead> <tbody> <tr> <td>4 PLACES</td> <td>± ---</td> <td>± ---</td> </tr> <tr> <td>3 PLACES</td> <td>± ---</td> <td>± ---</td> </tr> <tr> <td>2 PLACES</td> <td>± 0.25</td> <td>± 0.01</td> </tr> <tr> <td>1 PLACE</td> <td>± 0.5</td> <td>± 0.02</td> </tr> <tr> <td colspan="3">ANGULAR ± .5 °</td> </tr> </tbody> </table> | | mm | INCH | 4 PLACES | ± --- | ± --- | 3 PLACES | ± --- | ± --- | 2 PLACES | ± 0.25 | ± 0.01 | 1 PLACE | ± 0.5 | ± 0.02 | ANGULAR ± .5 ° | | | MM ONLY | 2:1 | METRIC | |
| | | | mm | INCH | | | | | | | | | | | | | | | | | | | | | |
| | | 4 PLACES | ± --- | ± --- | | | | | | | | | | | | | | | | | | | | | |
| 3 PLACES | ± --- | ± --- | | | | | | | | | | | | | | | | | | | | | | | |
| 2 PLACES | ± 0.25 | ± 0.01 | | | | | | | | | | | | | | | | | | | | | | | |
| 1 PLACE | ± 0.5 | ± 0.02 | | | | | | | | | | | | | | | | | | | | | | | |
| ANGULAR ± .5 ° | | | | | | | | | | | | | | | | | | | | | | | | | |
| | | <table border="1"> <thead> <tr> <th>DRAWN BY</th> <th>DATE</th> <th>TITLE</th> </tr> </thead> <tbody> <tr> <td>JBADER</td> <td>2011/05/20</td> <td rowspan="3">GIGABIT MAGNETIC JACK INTEGRATED PSE POEPLUS 2X4 LED</td> </tr> <tr> <td>CHECKED BY</td> <td>DATE</td> </tr> <tr> <td>MMANGARUDOV</td> <td>2011/05/23</td> </tr> </tbody> </table> | DRAWN BY | DATE | TITLE | JBADER | 2011/05/20 | GIGABIT MAGNETIC JACK INTEGRATED PSE POEPLUS 2X4 LED | CHECKED BY | DATE | MMANGARUDOV | 2011/05/23 | | | | | | | | | | | | | |
| DRAWN BY | DATE | TITLE | | | | | | | | | | | | | | | | | | | | | | | |
| JBADER | 2011/05/20 | GIGABIT MAGNETIC JACK INTEGRATED PSE POEPLUS 2X4 LED | | | | | | | | | | | | | | | | | | | | | | | |
| CHECKED BY | DATE | | | | | | | | | | | | | | | | | | | | | | | | |
| MMANGARUDOV | 2011/05/23 | | | | | | | | | | | | | | | | | | | | | | | | |
| | | <table border="1"> <thead> <tr> <th>APPROVED BY</th> <th>DATE</th> <th>MATERIAL NO.</th> <th>DOCUMENT NO.</th> <th>SHEET NO.</th> </tr> </thead> <tbody> <tr> <td>SSTE INKE</td> <td>2013/01/28</td> <td>857261001</td> <td>SD-85726-101</td> <td>1 OF 3</td> </tr> </tbody> </table> | APPROVED BY | DATE | MATERIAL NO. | DOCUMENT NO. | SHEET NO. | SSTE INKE | 2013/01/28 | 857261001 | SD-85726-101 | 1 OF 3 | | | | | | | | | | | | | |
| APPROVED BY | DATE | MATERIAL NO. | DOCUMENT NO. | SHEET NO. | | | | | | | | | | | | | | | | | | | | | |
| SSTE INKE | 2013/01/28 | 857261001 | SD-85726-101 | 1 OF 3 | | | | | | | | | | | | | | | | | | | | | |

SUGGESTED BOARD LAYOUT

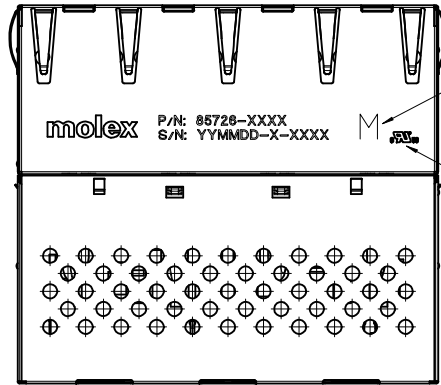


| | | | | | | | | | |
|--|-----------------|---------------------------------------|--|----------------------------|--|---|------------------------|------------------------------|--|
| NO CHANGES EC NO: 2013/04/09 DRWN: JBADER CHKD: MMANGARUDOV 2013/07/29 APPR: SSTEINKE 2015/11/26 | QUALITY SYMBOLS | GENERAL TOLERANCES (UNLESS SPECIFIED) | | DIMENSION STYLE MM ONLY | | SCALE 2:1 | DESIGN UNITS METRIC | THIRD ANGLE PROJECTION | |
| | ▽=0 | mm | INCH | DRAWN BY JBADER | DATE 2011/05/20 | TITLE GIGABIT MAGNETIC JACK INTEGRATED PSE POEPLUS 2X4 LED | | | |
| | ▽=0 | 4 PLACES ± --- ± --- | 3 PLACES ± --- ± --- | CHECKED BY MMANGARUDOV | DATE 2011/05/23 | | | | |
| | | 2 PLACES ± 0.25 ± 0.01 | 1 PLACE ± 0.5 ± 0.02 | APPROVED BY SSTEINKE | DATE 2013/01/28 | MATERIAL NO. SEE SHEET 1 | | DOCUMENT NO. SD-85726-101 | |
| | ANGULAR ± .5° | | DRAFT WHERE APPLICABLE MUST REMAIN WITHIN DIMENSIONS | | THIS DRAWING CONTAINS INFORMATION THAT IS PROPRIETARY TO MOLEX INCORPORATED AND SHOULD NOT BE USED WITHOUT WRITTEN PERMISSION | | | | |

PRINTING
LED VERSION

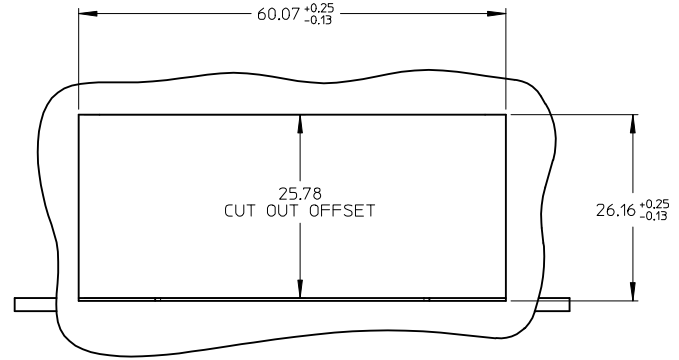
P/N: 85726-1001
S/N: YYMMDD-CM-CONSECUTIVE NUMBER

PRINTING

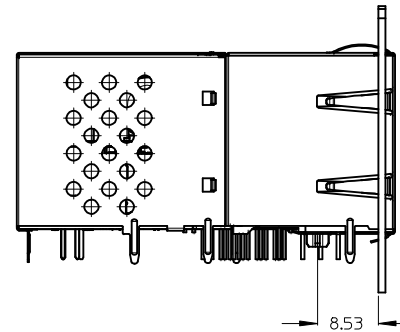
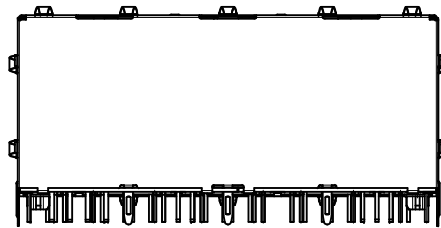


SEE NOTE 3

SEE NOTE 4



SUGGESTED PANEL CUT OUT



NOTES:

- 1 - PRINTING MARKED BY LASER
- 2 - INSCRIPTION:
1st LINE: PART NUMBER
2nd LINE: DATE CODE (YEAR, MONTH, DAY)- MANUFACTURER ID - CONSECUTIVE NUMBER
- 3 - MICROSEMI VERSION MARKED BY CAPITAL M
- 4 - UL LOGO

| | | | | | | | | | | | |
|------------|-------------------|-------------|--|-------|---------------------------------------|------------|--|--|---------------------|--------------|------------------------|
| 3D UPDATED | EC NO: 2013/04/09 | DESCRIPTION | QUALITY SYMBOLS | | GENERAL TOLERANCES (UNLESS SPECIFIED) | | DIMENSION STYLE | | SCALE | DESIGN UNITS | THIRD ANGLE PROJECTION |
| | DRWN: JBADER | | mm | INCH | MM ONLY | | 2:1 | METRIC | | | |
| | CHKD: MMANGARUDOV | | 4 PLACES ± --- | ± --- | DRAWN BY | | DATE | TITLE | | | |
| | APPR: SSTE INKE | | 3 PLACES ± --- | ± --- | JBADER | | 2011/05/20 | GIGABIT MAGNETIC JACK INTEGRATED PSE POEPLUS 2X4 LED | | | |
| | 2 PLACES ± 0.25 | ± 0.01 | 1 PLACE ± 0.5 | | ± 0.02 | CHECKED BY | | DATE | | | |
| | ANGULAR ± .5 ° | | DRAFT WHERE APPLICABLE MUST REMAIN WITHIN DIMENSIONS | | APPROVED BY | | DATE | DOCUMENT NO. | | | |
| | | | | | SSTE INKE | | 2013/01/28 | MATERIAL NO. | | | |
| | | | | | SEE SHEET 1 | | SD-85726-101 | | SHEET NO. 3 OF 3 | | |
| | | | | | SIZE | | THIS DRAWING CONTAINS INFORMATION THAT IS PROPRIETARY TO MOLEX INCORPORATED AND SHOULD NOT BE USED WITHOUT WRITTEN PERMISSION | | | | |