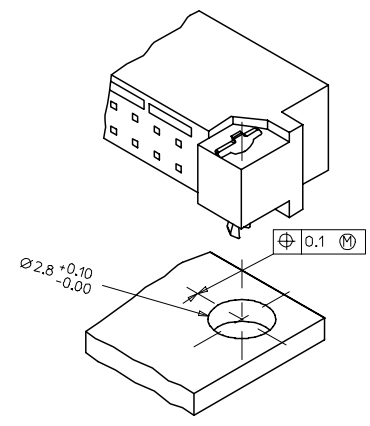
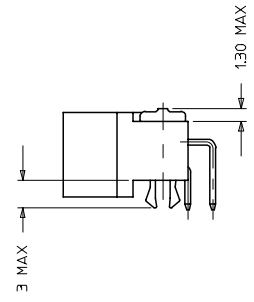


WITH MOUNTING CLIPS

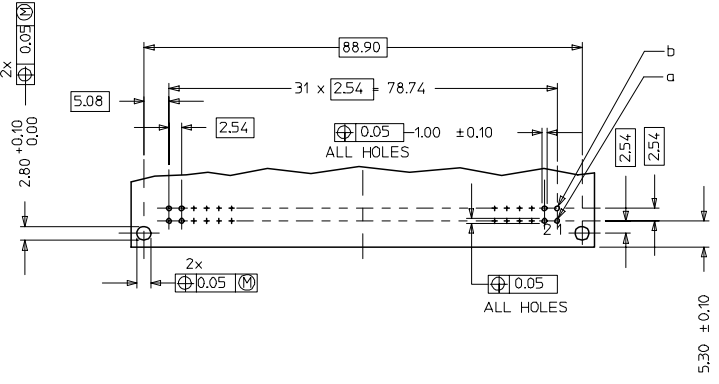
8:1



NOTES:

- MATERIALS: THERMX (PCT), GLASS FILLED, UL94V-0.COLOUR: NATURAL
TERMINAL - BRASS
MOUNTING CLIP: STEEL
- FINISH: TERMINAL-
CONTACT AREA
1. PERFORMANCE LEVEL 1: SELECTIVE GOLD (Au), THICKNESS = 1.1 MICROMETER
OVER NICKEL, THICKNESS = 1.25 MICROMETER
2. PERFORMANCE LEVEL 2: SELECTIVE GOLD (Au), THICKNESS = 0.6 MICROMETER
OVER NICKEL, THICKNESS = 1.25 MICROMETER
3. PERFORMANCE LEVEL 3: SELECTIVE GOLD (Au), THICKNESS = 0.3 MICROMETER
OVER NICKEL, THICKNESS = 1.25 MICROMETER
TERMINATION AREA:
SELECTIVE TIN, THICKNESS = 2.5 MICROMETER
OVER NICKEL, THICKNESS = 1.25 MICROMETER OVERALL
- MOUNTING CLIP:-
TIN (Sn), THICKNESS = 5-10 MICROMETER,
OVER NICKEL (Ni), THICKNESS = 2.5 MICROMETER
- FOR NON MOUNTING CLIP OPTION, CONNECTOR TO BE SECURED WITH RIVETS: 2 TUBULAR RIVETS 2.5 x 0.3 _ DIN 7340
SCREWS: 2 CHEESEHEAD SCREWS M2.5 x _ DIN 84 AND 2 HEXAGONAL NUTS M2.5 DIN 934
- MATERIAL NUMBER, BATCH CODE, UL AND CSA MARKING TO BE PRINTED ON THE CONNECTOR
- CUT FACE OF TIP WITHOUT PLATING PERMITTED
- PRODUCT SPECIFICATION PS : 85003-0001

RECOMMENDED PCB LAYOUT
COMPONENT SIDE

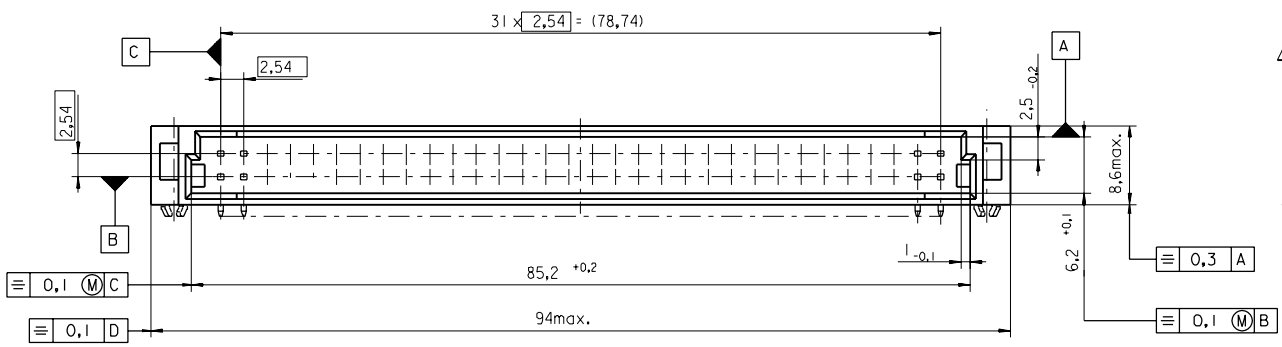


LMFB CONTACTS	4.2
FMLB CONTACTS	5.4
NORMAL CONTACTS	4.8
	M

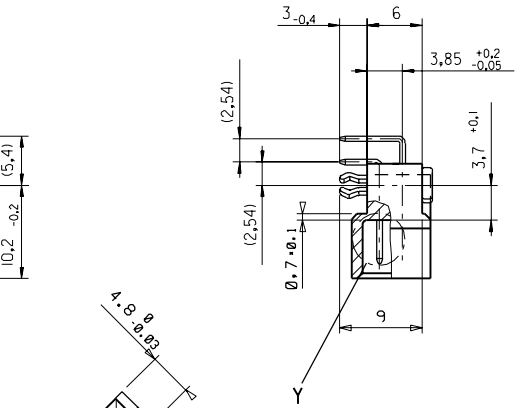
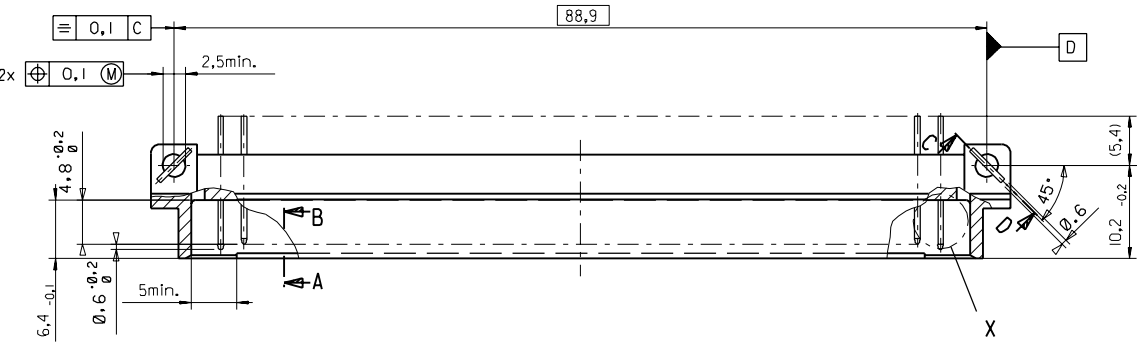
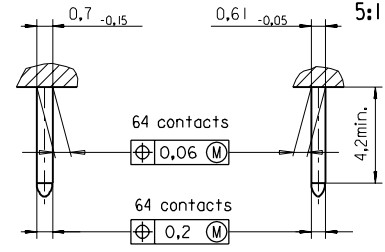
RoHS COMPLIANT

ENTER DESCRIPTION ELC INC. 2007-0193 DRAWING NO. 2007/01108 CHECKED BY CHIKOSUDHIR APPROVED BY APPROPRIATE	QUALITY SYMBOLS ▽=0 ▽=0	GENERAL TOLERANCES (UNLESS SPECIFIED)		DIMENSION STYLE MM ONLY		SCALE 2:1	DESIGN UNITS METRIC	THIRD ANGLE PROJECTION
		4 PLACES ± --- ± --- 3 PLACES ± 0.05 ± --- 2 PLACES ± 0.1 ± --- 1 PLACE ± 0.15 ± ---	INCH ± --- ± --- ± --- ± ---	DRAWN BY SS	DATE 1999/10/14	CHECKED BY G J LOWE	DATE 1999/10/14	ASSEMBLY, DIN 41612, B MALE, 64 POS
DRAFT WHERE APPLICABLE MUST REMAIN WITHIN DIMENSIONS		MATERIAL NO. SEE CHART		APPROVED BY G J LOWE		DATE 1999/10/14	MOLEX INCORPORATED	
		SIZE A 1		THIS DRAWING CONTAINS INFORMATION THAT IS PROPRIETARY TO MOLEX INCORPORATED AND SHOULD NOT BE USED WITHOUT WRITTEN PERMISSION		DOCUMENT NO. SD-85001-0001	SHEET NO. 1 OF	

PART NO.
DWG. NO.

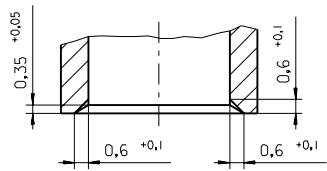


View X 5:1 View Y 5:1



Section C - D

Section A - B 5:1



FIRST ANGLE PROJECTION		REVISE ONLY ON CAD SYSTEM		SH.	REV.
first release see ECN No. 1887	REVISIONS FOR PREVIOUS REVISIONS SEE MRI LIST	UNLESS OTHERWISE SPECIFIED TOLERANCES: ANGULAR ±2°	DRWG BY	CAD/CAM PROJECT NAME	
		INCH METRIC	Ca	85001000	THIS DRAWING CONTAINS INFORMATION THAT IS PROPRIETARY TO MOLEX INC. & SHOULD NOT BE USED WITHOUT WRITTEN PERMISSION
		3 PLACE ± . ±	CHK'D BY	TITLE	
		2 PLACE ± . ±	KN	64 pos. Male connector acc. DIN 41612 style B Dimensions	
DRAFT WHERE APPLICABLE MUST REMAIN WITHIN DIMENSIONS	APP'D BY	MOLEX MOLEX EUROPE	SHEET NO.	DATE	
DESIGN DIMENSION <input checked="" type="checkbox"/> MM	SCALE	2:1	1 OF	95/06/06	
EQUIVALENT DIMENSION <input type="checkbox"/> MM			PART NO.	DWG NO.	SIZE
IF TWO DIMENSIONS ARE SHOWN THE UPPER IS THE DESIGN DIMENSION, LOWER IS SECONDARY			SDA-85001-0001		B

VIEW ON MATING SIDE

∞	B	B	B	B	B	B	B	B	B	B	B	B	B	B	B	B	B	B	B	B	B	B	B	B	B	B	B	B	B	B
◀	A	A	A	A	A	A	A	A	A	A	A	A	A	A	A	A	A	A	A	A	A	A	A	A	A	A	A	A	A	

- A = 32 STANDARD CONTACTS L=3
- B = 32 STANDARD CONTACTS L=3

- S = 64 TOTAL NUMBER OF CONTACTS

Marking	Standard
Performance level	G3/0 = Contact area level3 / Termination tin
Flux proof	no
Fixing clip	no
Dimensions	SDA-85001-0001 sht.1
TechnicalData	PS-85003-0001

B		G3/0	bl-32
A		G3/0	al-32
Contact symbol	Perform. level	Contact position number	

ECN No. 2204	REVISIONS		FOR PREVIOUS REVISIONS SEE MRI LIST	
	96/07/18 Cd			
CD	LTR	DESIGN DIMENSION <input type="checkbox"/> MM <input type="checkbox"/> IN.	EQUIVALENT DIMENSION <input type="checkbox"/> MM <input type="checkbox"/> IN.	SCALE
		DRAFT WHERE APPLICABLE MUST REMAIN WITHIN DIMENSIONS		
		3 PLACE ± . ±	2 PLACE ± . ±	1 PLACE ± . ±
		UNLESS OTHERWISE SPECIFIED TOLERANCES: ANGULAR ± 2° INCH METRIC		
		DRWG BY Cd	SIGN	
		CHK'D BY OS	SIGN	
		APP'D BY	SIGN	
		REVERSE ONLY ON CAD SYSTEM		
		CAD/CAM PROJECT NAME	SH. REV.	
		s8500104 s31		
		THIS DRAWING CONTAINS INFORMATION THAT IS PROPRIETARY TO MOLEX INC. & SHOULD NOT BE USED WITHOUT WRITTEN PERMISSION		
TITLE		SHEET NO.		DATE
64 pos. Male connector acc. DIN 41612 style B contacts arrangement		1 OF 1		96/05/21
MOLEX EUROPE		DWG NO. SDA-85001-0438		
PART NO. 85001-0438		SIZE A		