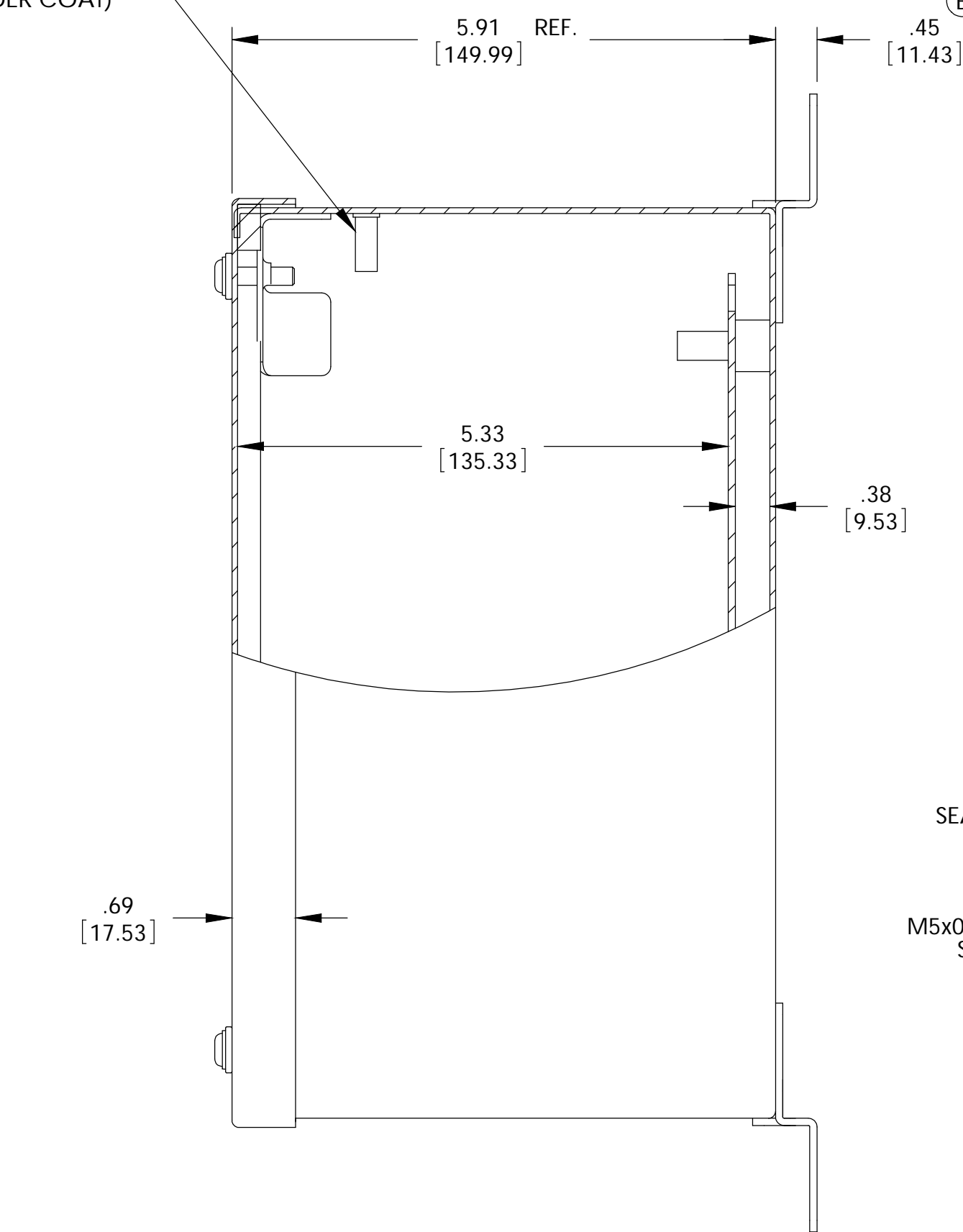
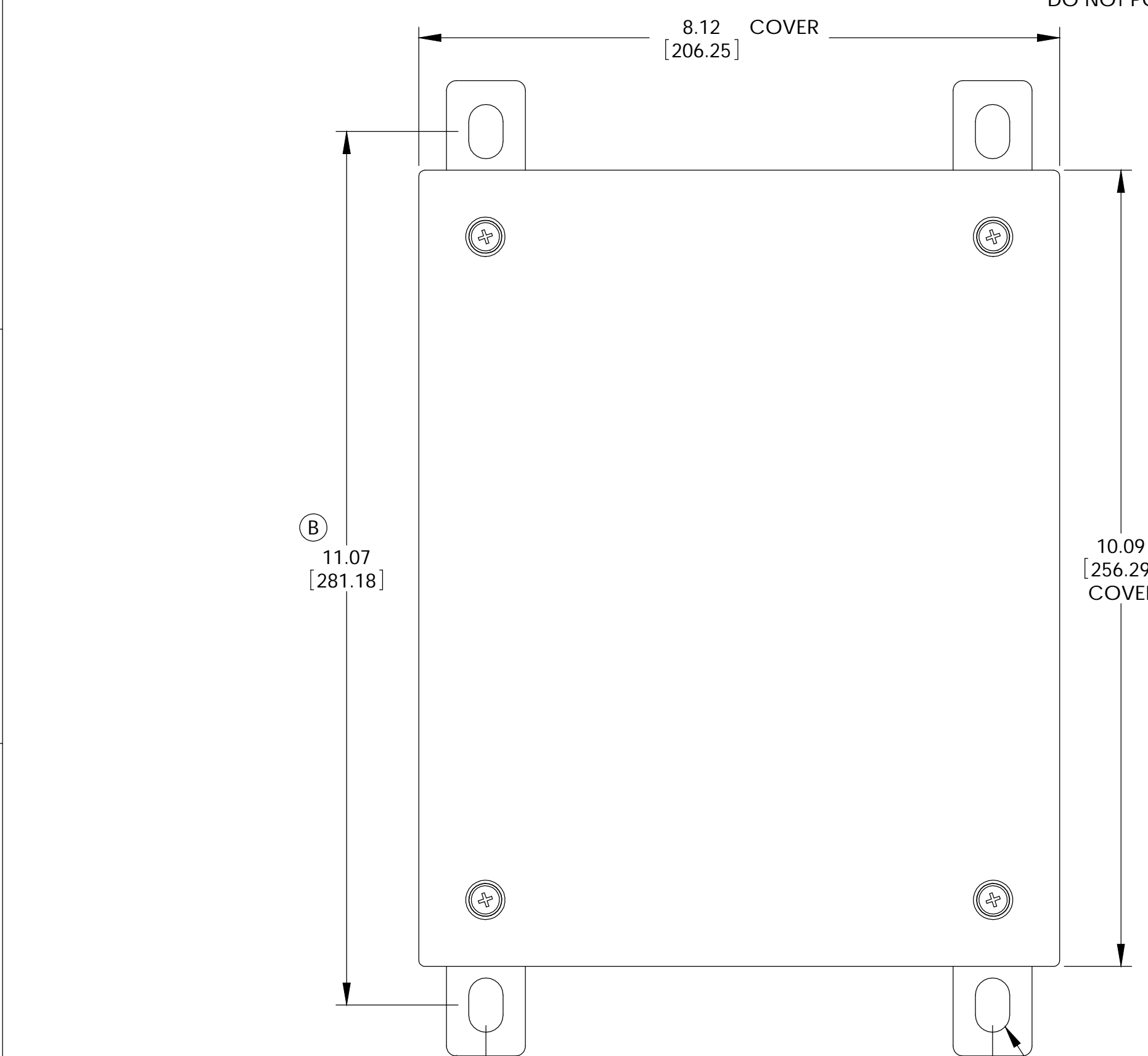


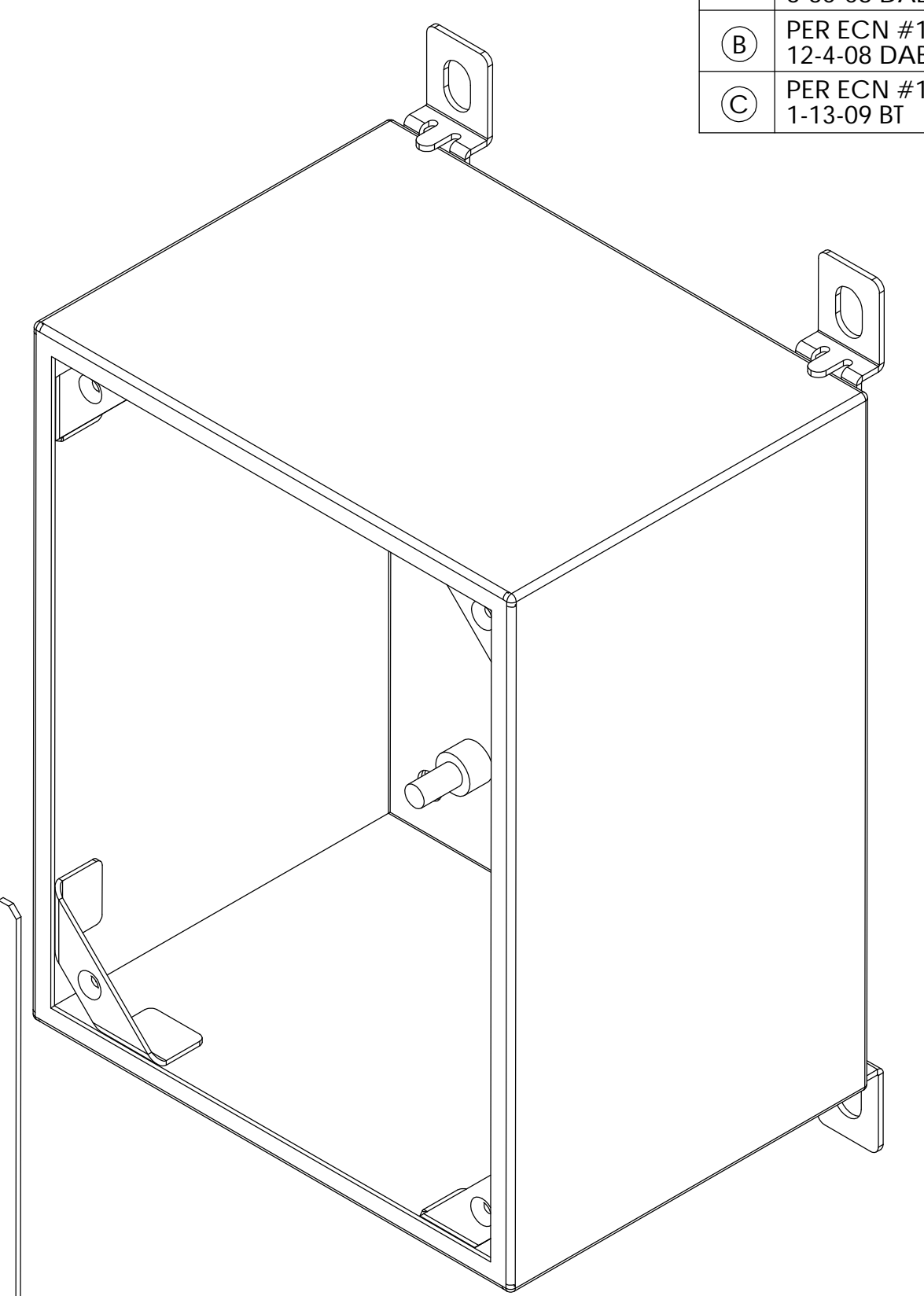
THE INFORMATION CONTAINED IN THIS DRAWING IS THE SOLE PROPERTY OF BUD INDUSTRIES INC. ANY REPRODUCTION IN PART OR WHOLE WITHOUT THE WRITTEN PERMISSION OF BUD INDUSTRIES INC. IS PROHIBITED.

DWG. NO. SNC-3750	
ISSUE	REVISIONS
(A)	REVISED DESIGN 6-30-08 DAB
(B)	PER ECN #10404 12-4-08 DAB
(C)	PER ECN #10446 1-13-09 BT



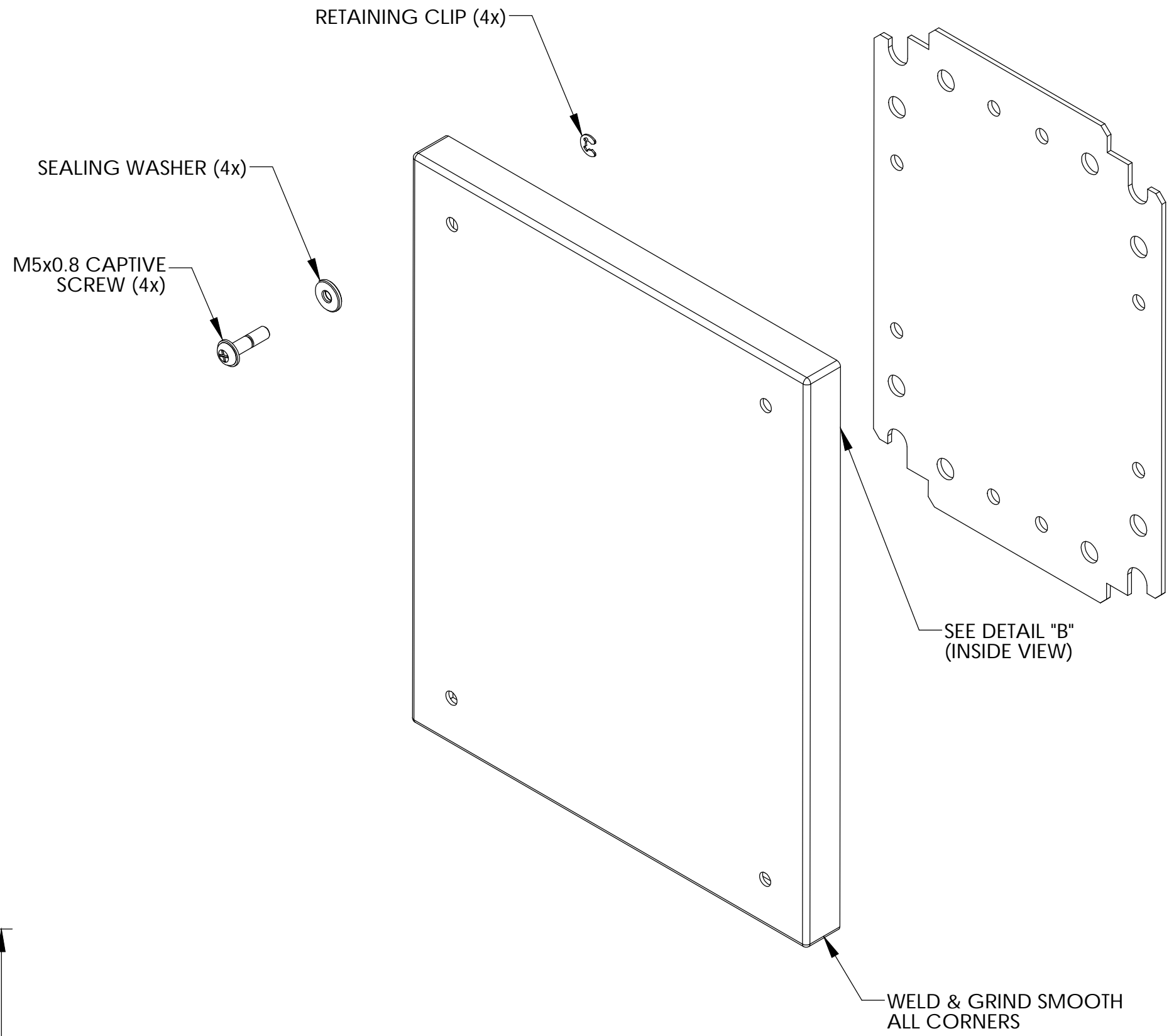
MATERIAL:
 BODY, COVER MOUNTING BRACKETS, COVER - 16 GA. [1.5mm] C.R.S.
 INTERNAL PANEL - 14 GA. [2.0mm] C.R.S.
 WALL MOUNTING BRACKETS - 14 GA. [2.0mm] STAINLESS STEEL
 HARDWARE - STAINLESS STEEL
 GASKET - .25 [6.35] THICK NEOPRENE (BLACK) OR EQUIVALENT
 SEALING WASHERS - BLACK NEOPRENE OR EQUIVALENT

FINISH:
 BODY & COVER - LIGHT GRAY SMOOTH POWDER COAT
 INTERNAL PANEL - ZINC CHROMATE
 WALL MOUNTING BRACKETS - NATURAL



WALL MOUNTING BRACKET KIT TO CONTAIN THE FOLLOWING:
 (4) BRACKETS, (4) BOLTS, (4) SEALING WASHERS, (4) FLAT WASHERS, (4) LOCKWASHERS & (4) HEX NUTS

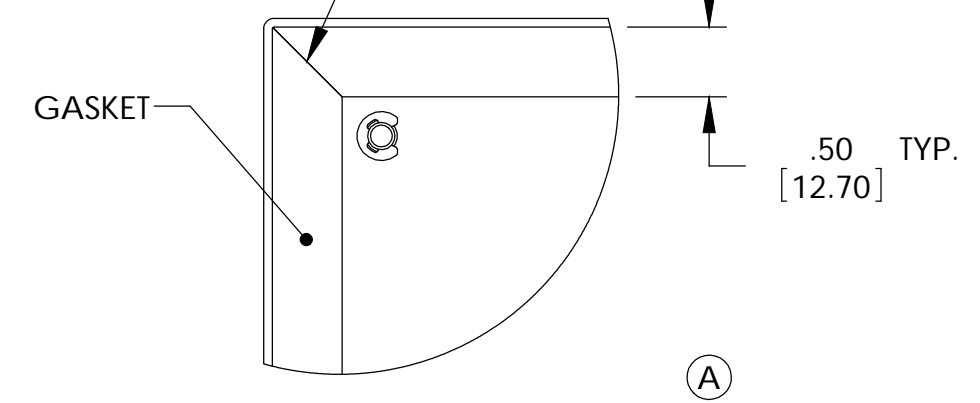
6.42 [163.07] (B)(C) .437 [11.10] x .687 [17.45] OBLONG EACH BRACKET



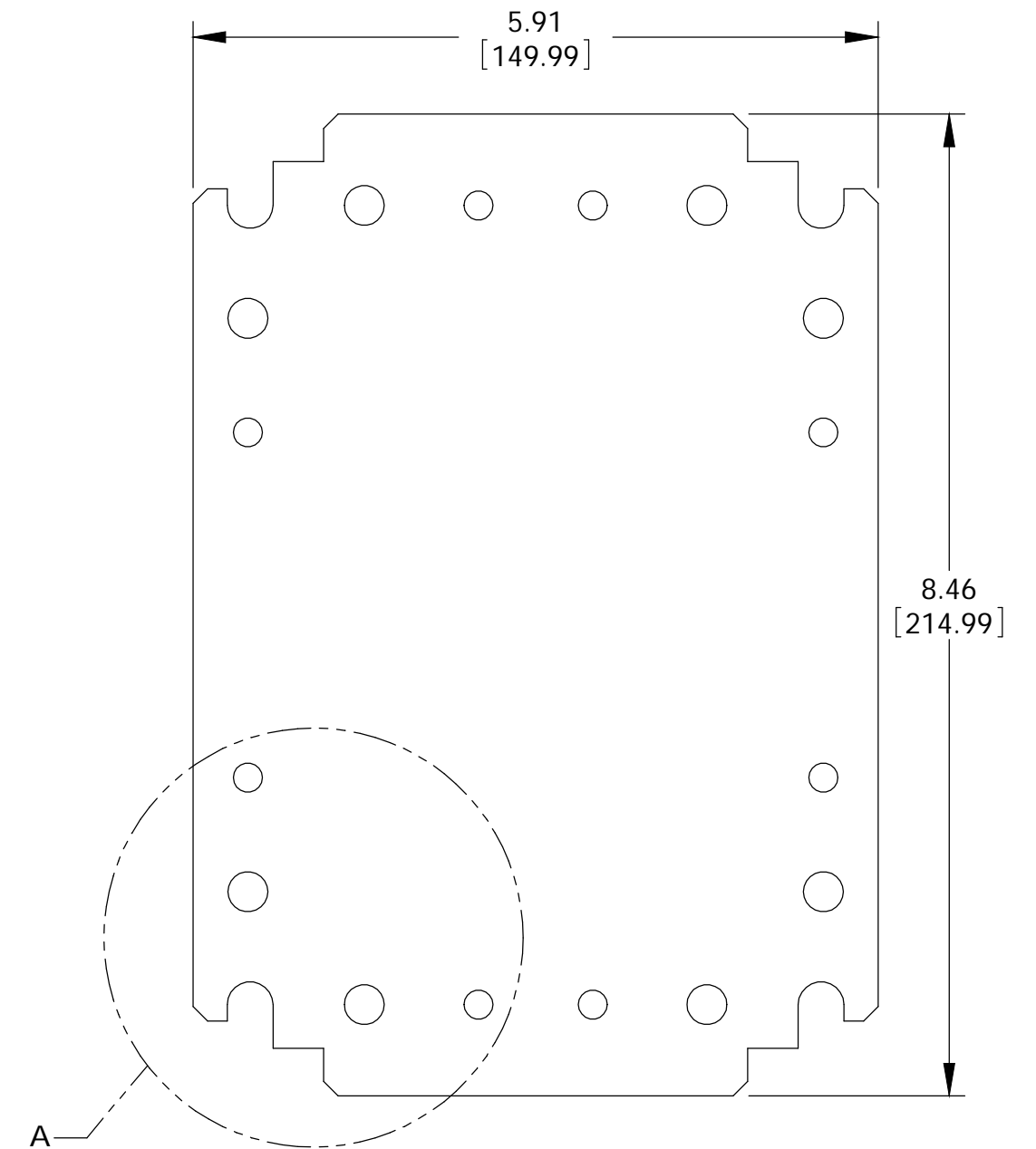
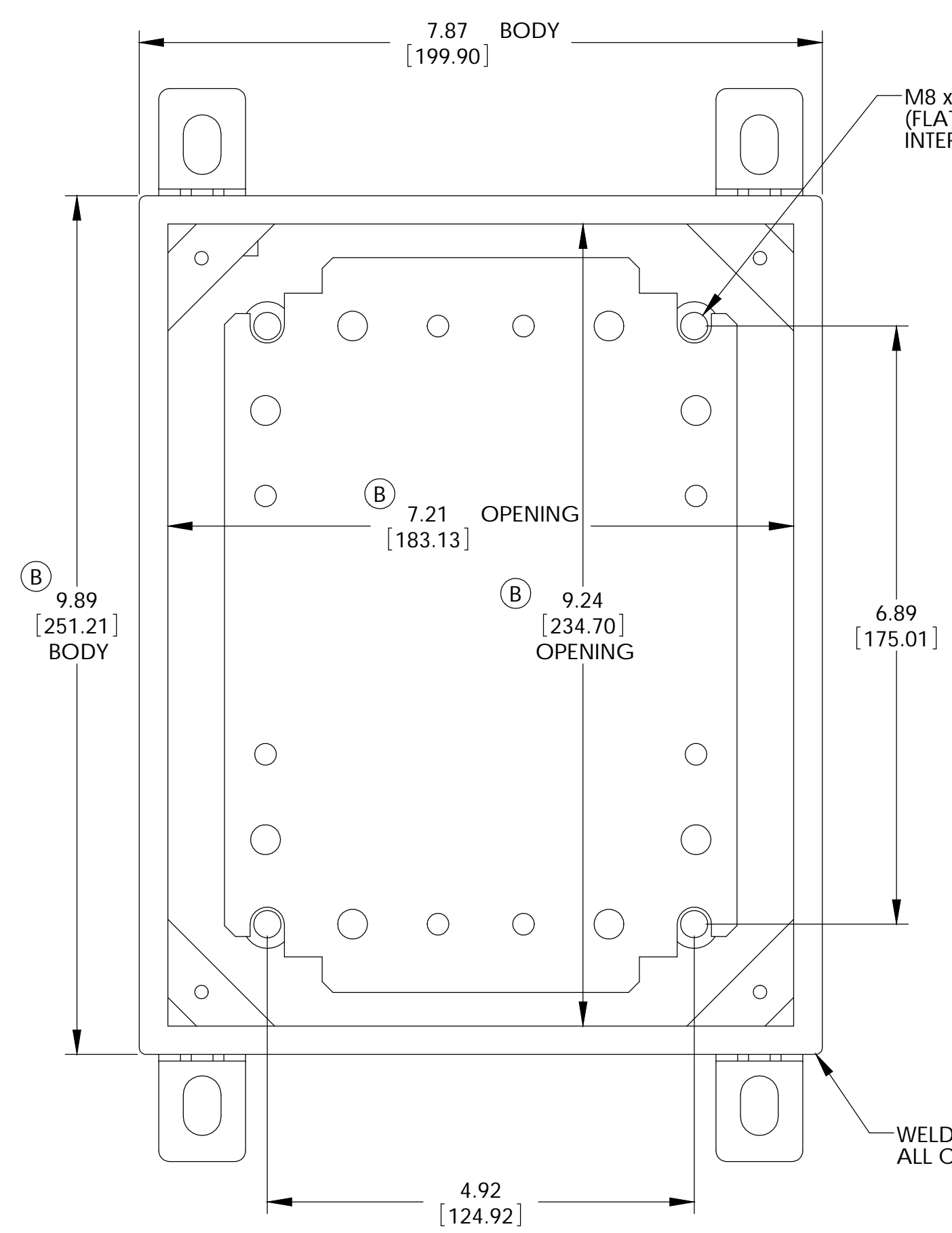
SEE DETAIL "B" (INSIDE VIEW)

WELD & GRIND SMOOTH ALL CORNERS

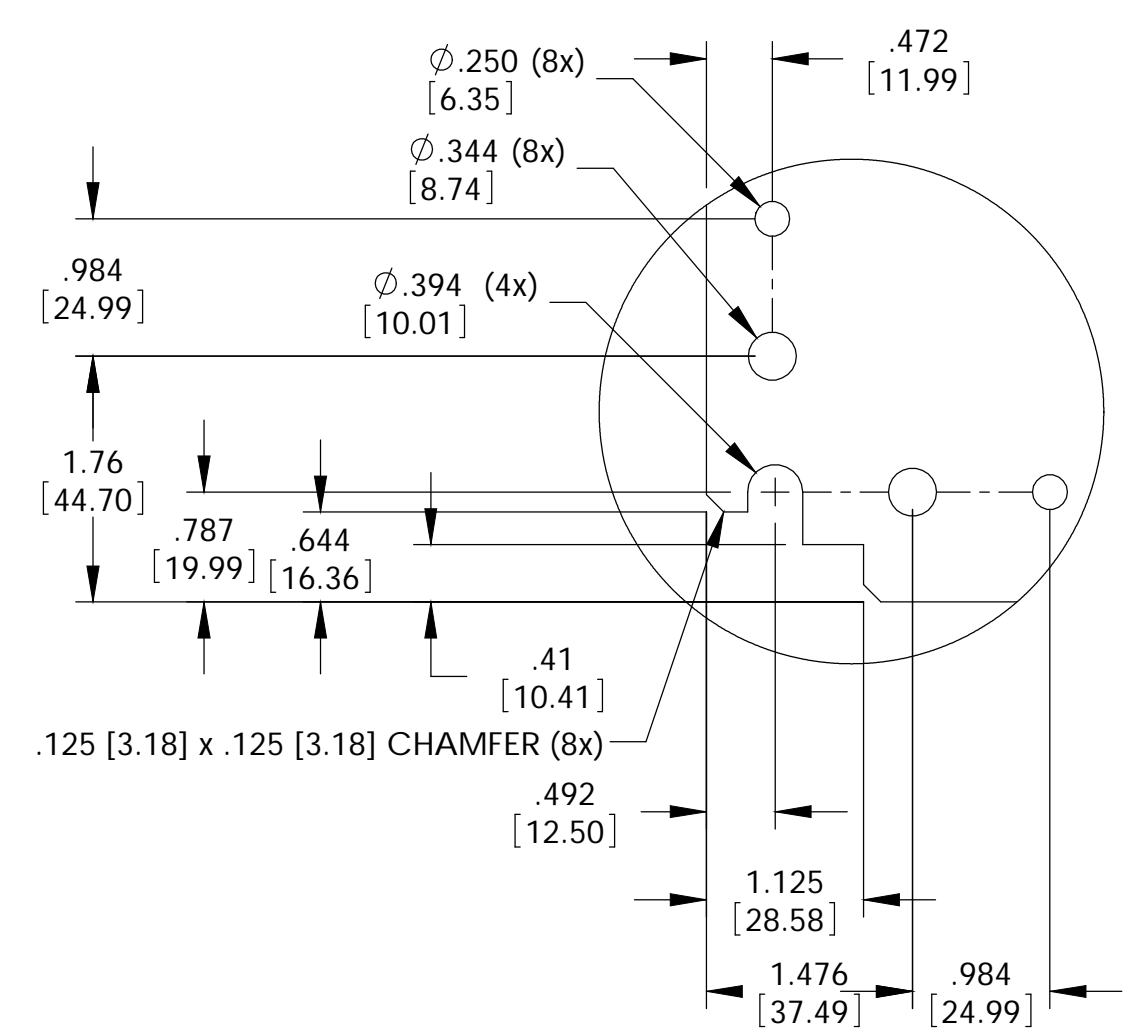
NO GAP BETWEEN GASKET JOINT. OPTIONALLY JOINT MAY BE SEALED WITH ADHESIVE.



DETAIL B SCALE 2 : 2.75



INTERNAL PANEL DETAIL



DETAIL A SCALE 2 : 2.75

WELD & GRIND SMOOTH ALL CORNERS & SEAMS

FRONT VIEW (LESS COVER)

PARTS LIST		BUD INDUSTRIES INC.	
UNLESS OTHERWISE SPECIFIED ALL DIMENSIONS ARE IN INCHES (MILLIMETERS)	CAD GENERATED DRAWING DO NOT MANUALLY UPDATE	APPROVALS	DATE
TOLERANCES: XX .03 MAX. ETD		DAB	5-5-08
MATERIAL: AS NOTED	CHECKED		
FINISH: AS NOTED	APPROVED		
DO NOT SCALE DRAWING		SIZE [DWG. NO.]	REV.
		D	SNC-3750
QTY.	USED ON	SCALE [CAD FILE]	SHEET 1 OF 1