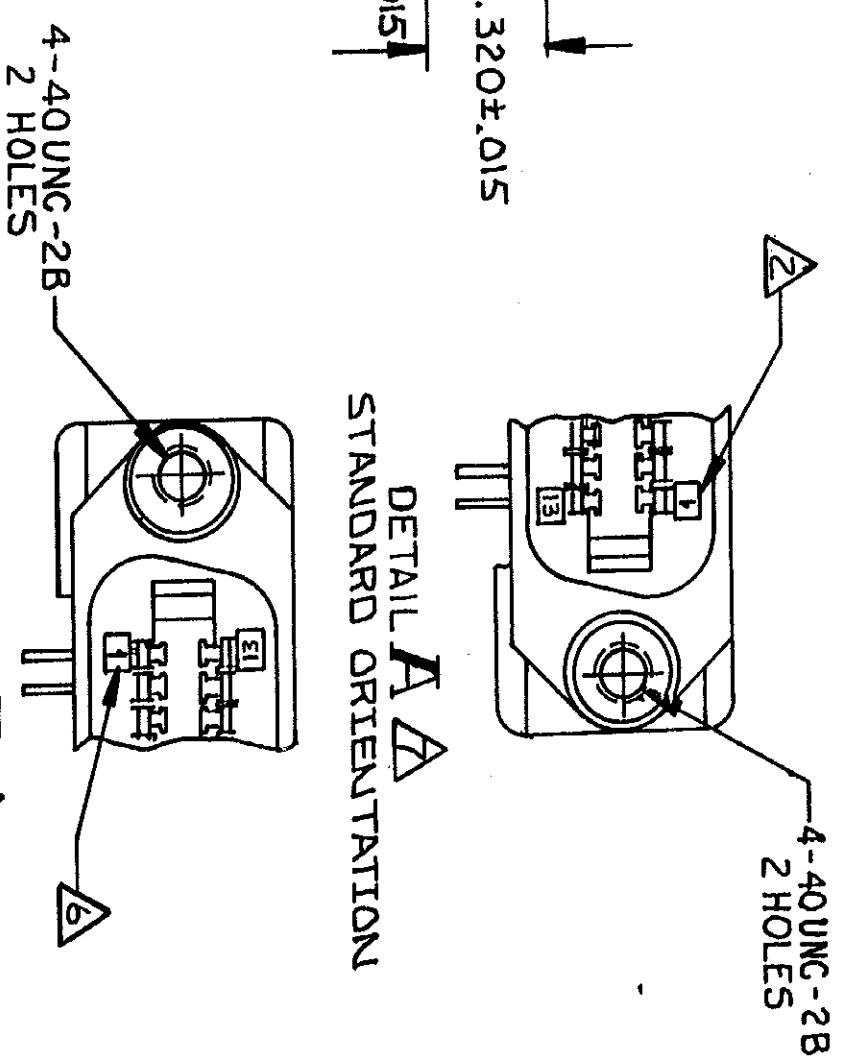
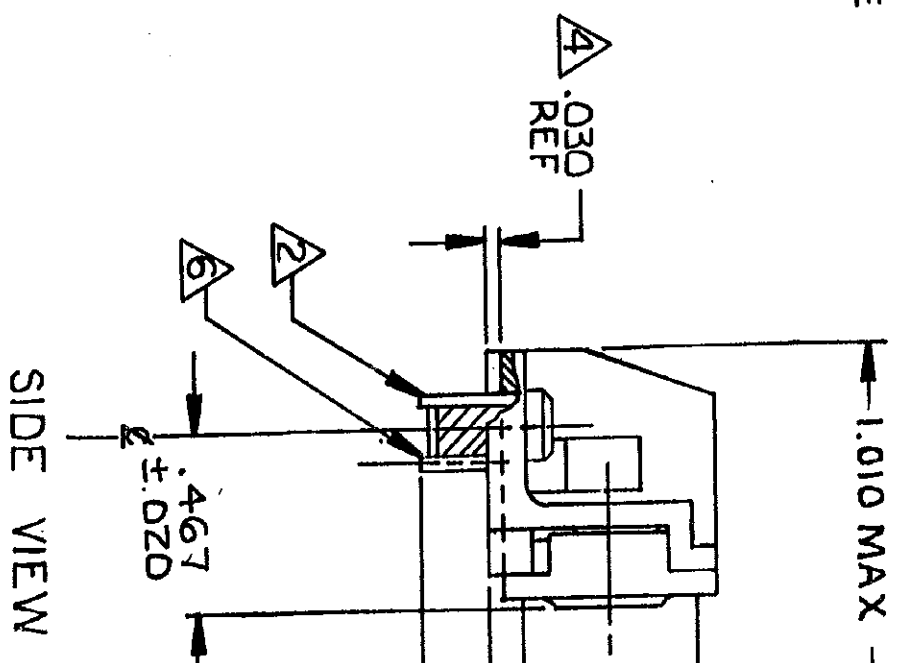
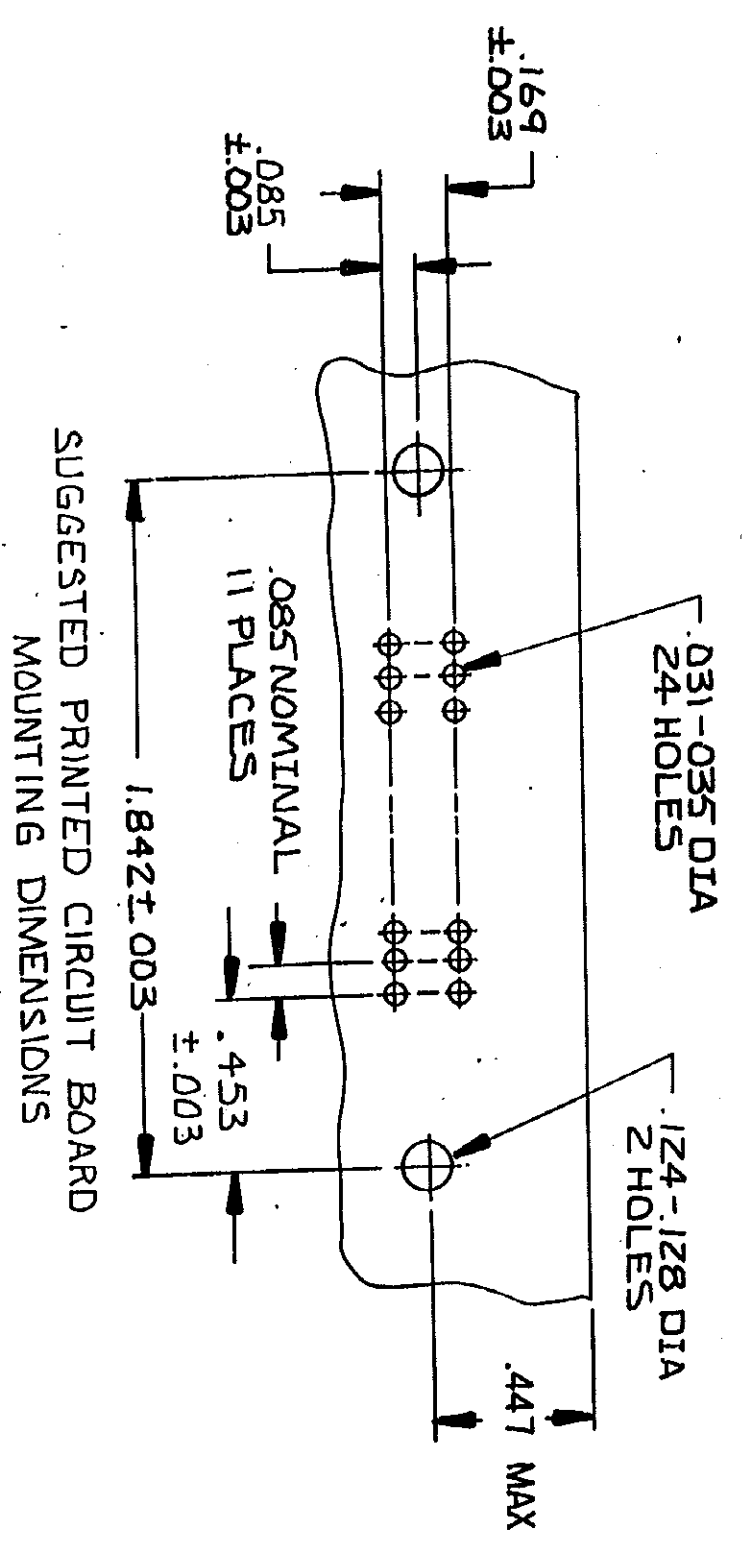
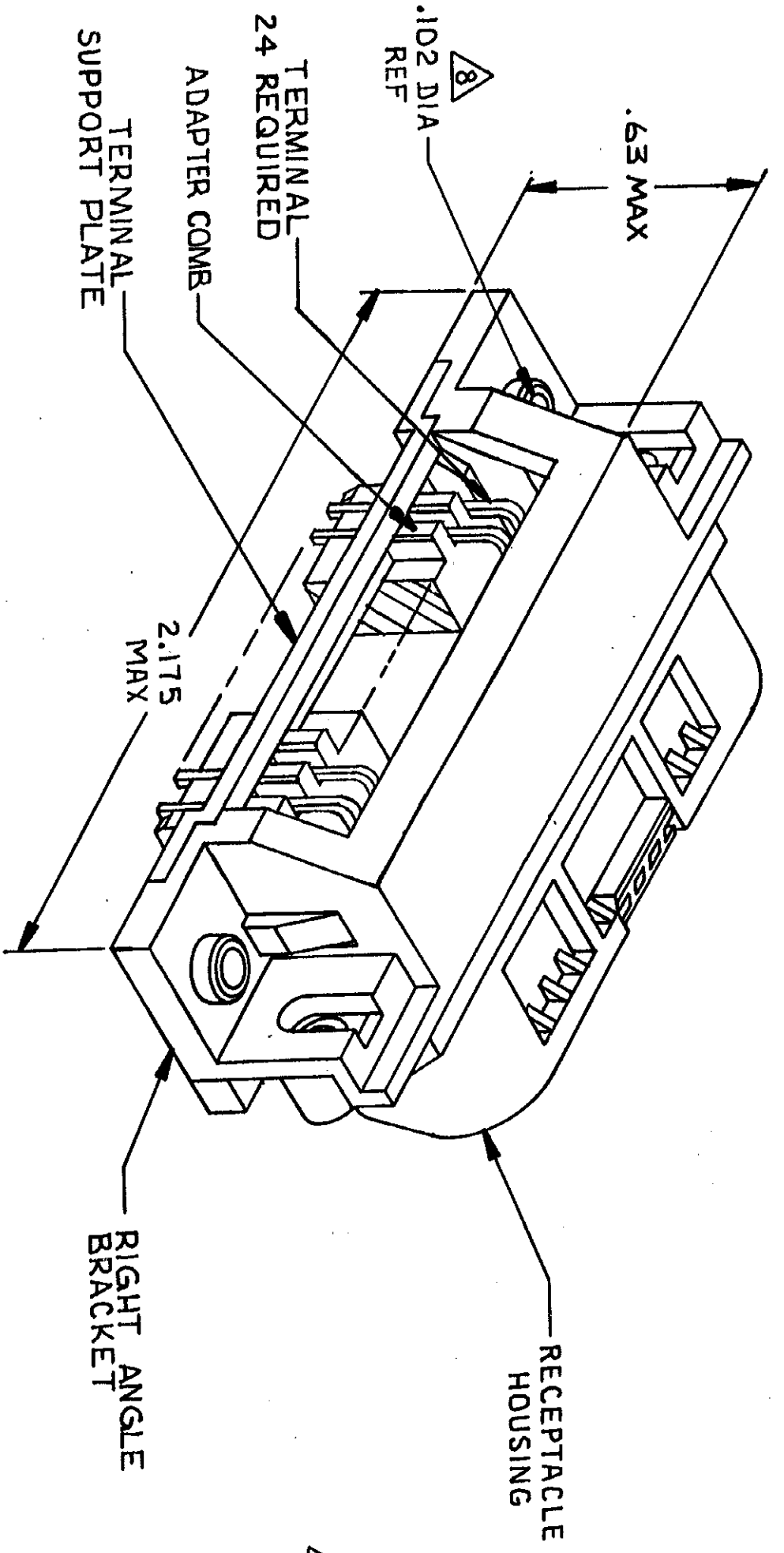
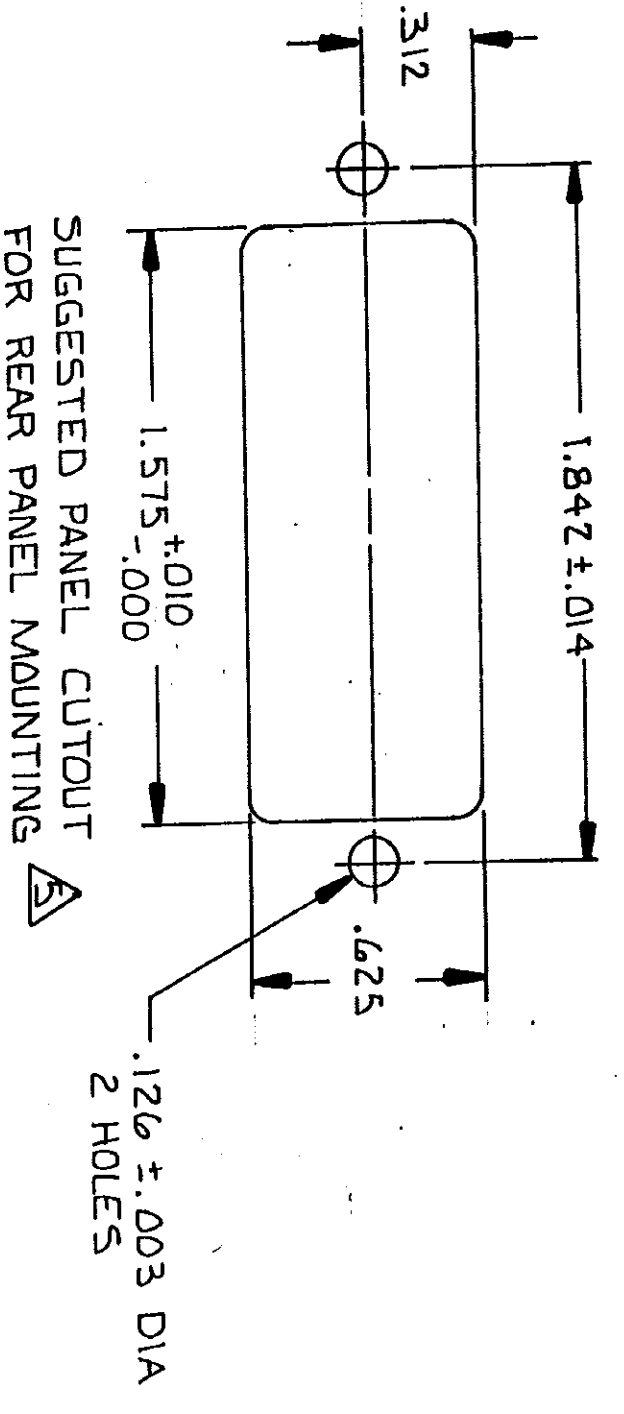


DRAWING MADE IN THIRD ANGLE PROJECTION

RELEASED FOR PUBLICATION FEBRUARY 11, 1982.

© COPYRIGHT 1977 BY AMP INCORPORATED, HARRISBURG, PA. ALL INTERNATIONAL RIGHTS RESERVED. AMP PRODUCTS MAY BE COVERED BY U.S. AND FOREIGN PATENTS AND/OR PATENTS PENDING.



- △ MATERIAL: HOUSING BRACKET PLATE AND COMB-THERMOPLASTIC (BLACK) 94V-0 RATED. TERMINALS-TAILST-TIN LEAD OVER NICKEL PLATED HIGH STRENGTH COPPER ALLOY. MATING SURFACE-LOCALIZED GOLD OVER NICKEL PLATED HIGH STRENGTH COPPER ALLOY.
- △ TERMINAL 1 LOCATED IN THIS ROW FOR 552740-1.
- △ TERMINAL SUPPORT PLATE CLEARANCE FOR TERMINAL STRAIN RELIEF AND FLUX REMOVAL.
- △ PANEL THICKNESS RANGE: .062.
- △ TERMINAL 1 LOCATED IN THIS ROW FOR 552740-2.
- △ DETAILS A & B ARE VIEWED FROM MATING, SIDE OF RECEPTACLE ASSEMBLY.
- △ FOR USE WITH A NO. 4 BT TYPE SELF-TAPPING SCREW.

REVISIONS		DATE	APPROVED	LOC	DIST
N	F ZONE LTR	2-29-82	MS	AA	21
N	OBsolete-3, 4, ECN AA-5985				

UNLESS OTHERWISE SPECIFIED DIMENSIONS ARE IN INCHES. TOLERANCES ON: DECIMALS ± .005 ANGLES		CONTRACT NO. DR. 2-11-82		NAME ASSEMBLY, RECEPTACLE, 24 POSITION, RIGHT ANGLE, PRINTED CIRCUIT BOARD (CHAMP-LOK, THRU-BOLT & SELF-TAPPING)	
MATERIAL		CHK. MD Juel 2-25-82		DRAWING NO. 552740	
FINISH		APP'D. [Signature] 3/2/82		SCALE 2/1	
OTHER APP'D.		OSGN APP'D.		SHEET 1 OF 1	

TYPE OF MOUNTING	SEE DETAIL	DESCRIPTION	PART NO.
SELF-TAPPING	B		552740-2
	A		552740-1