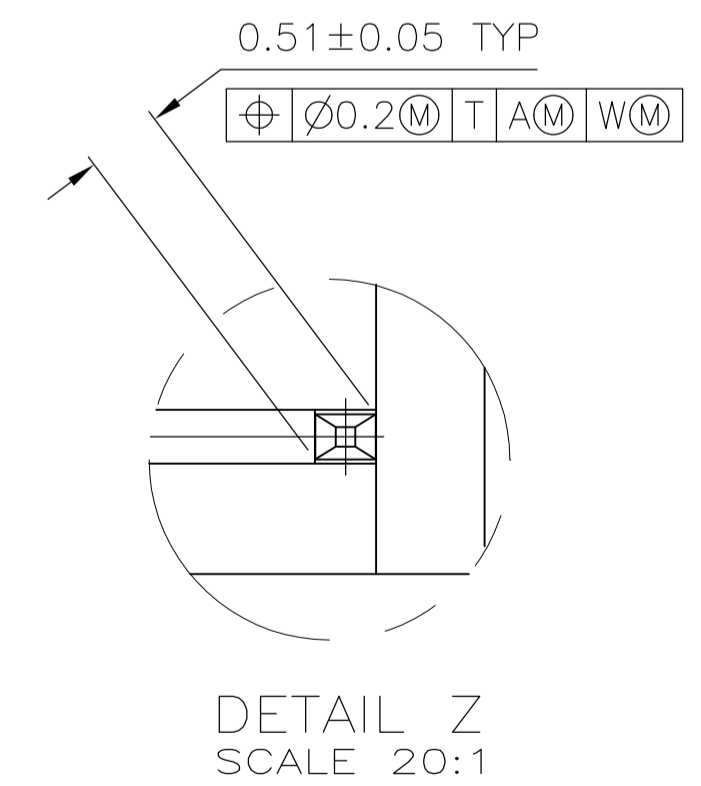
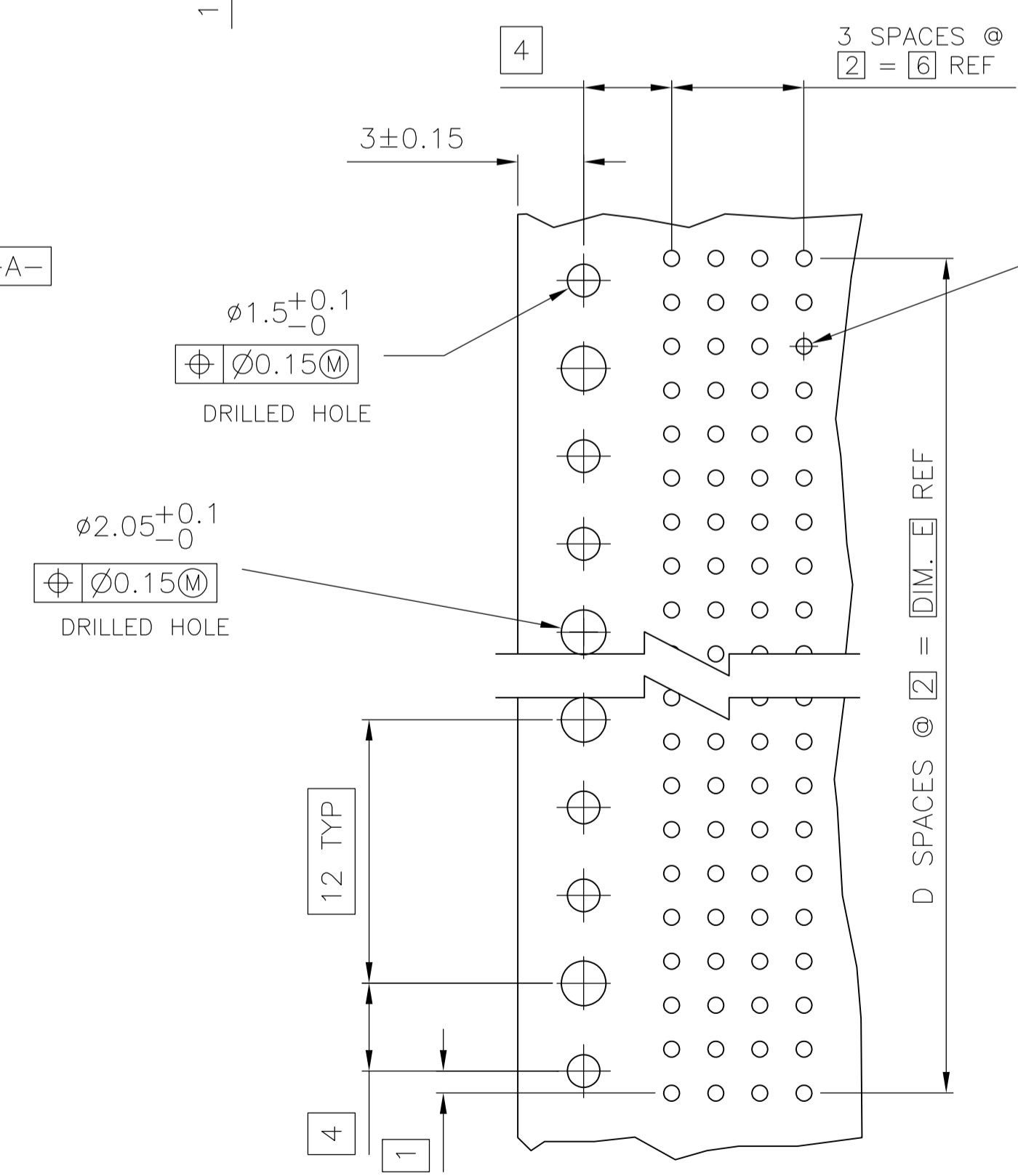
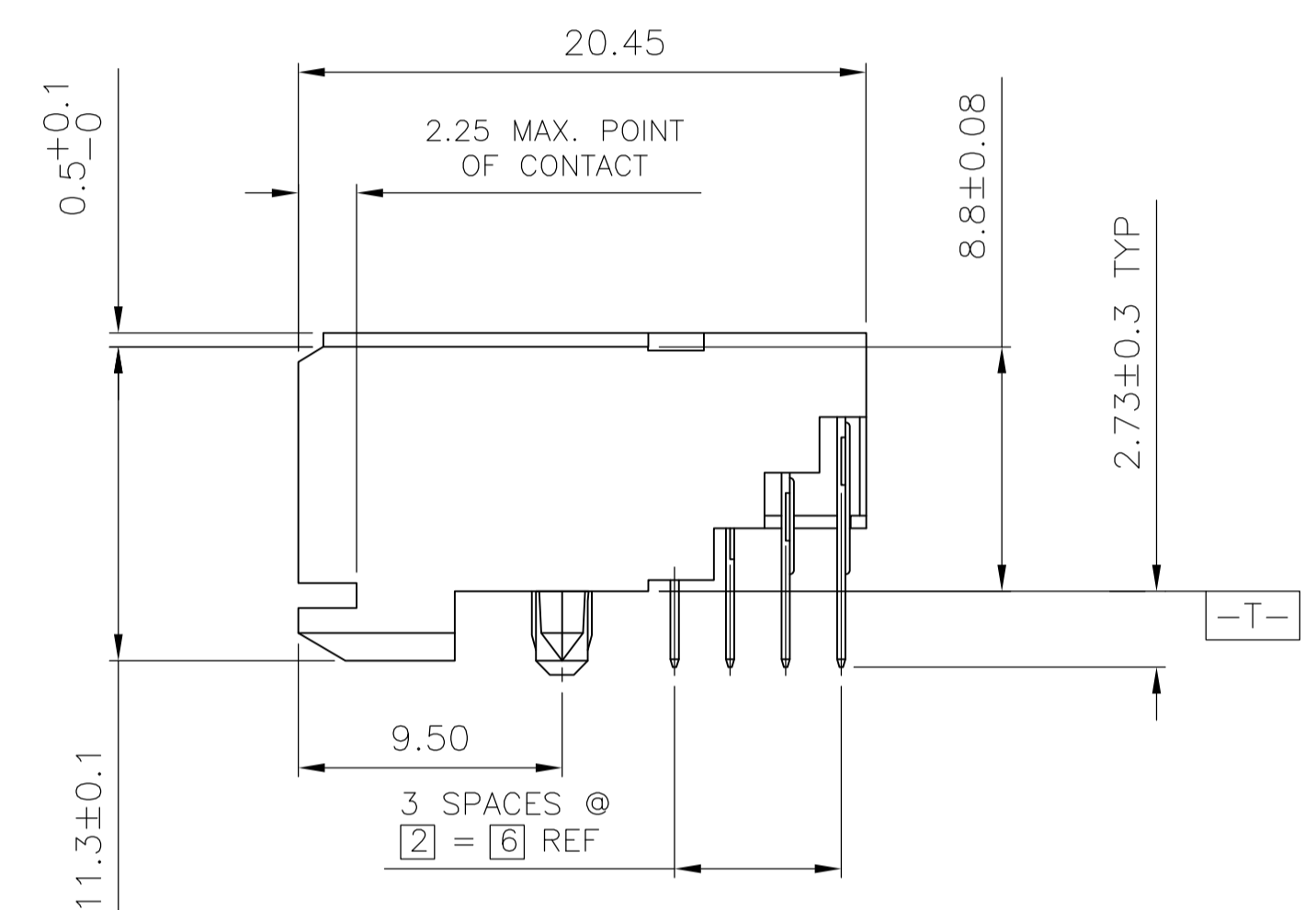
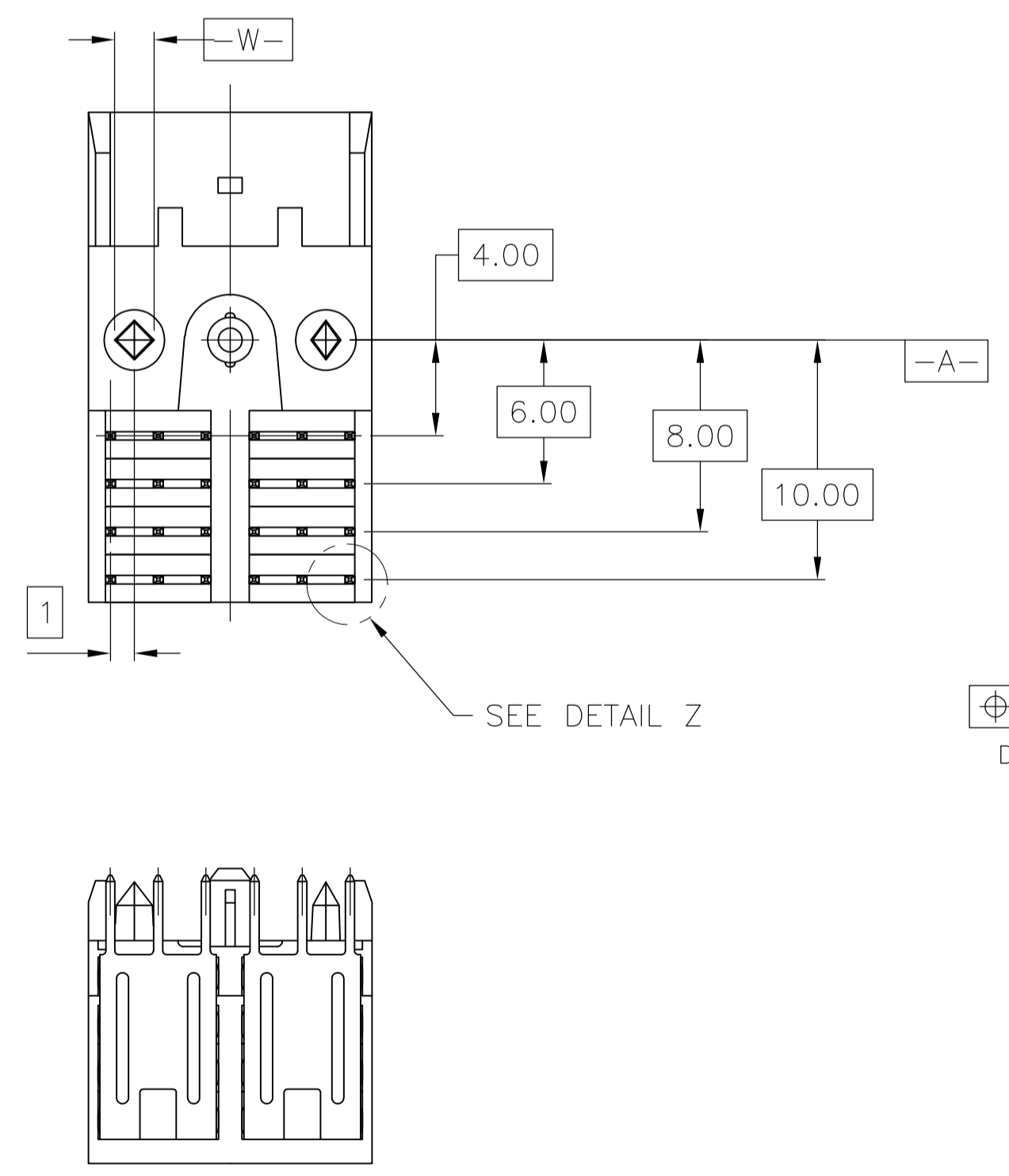
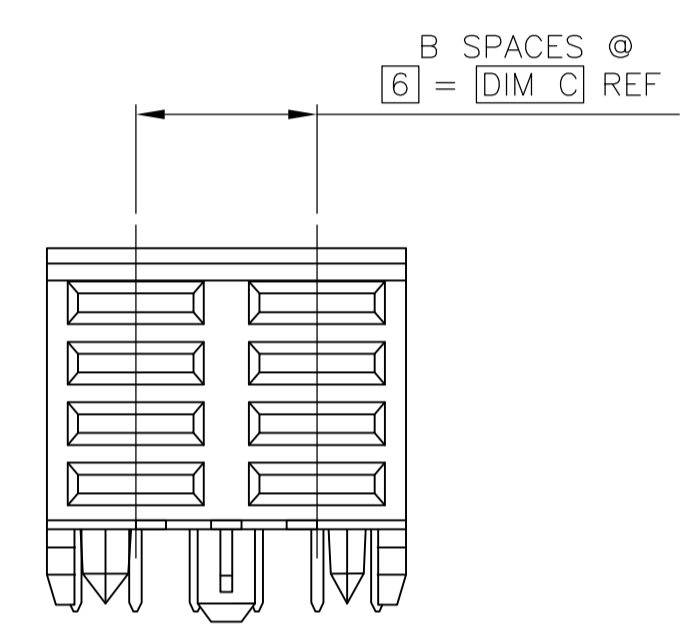
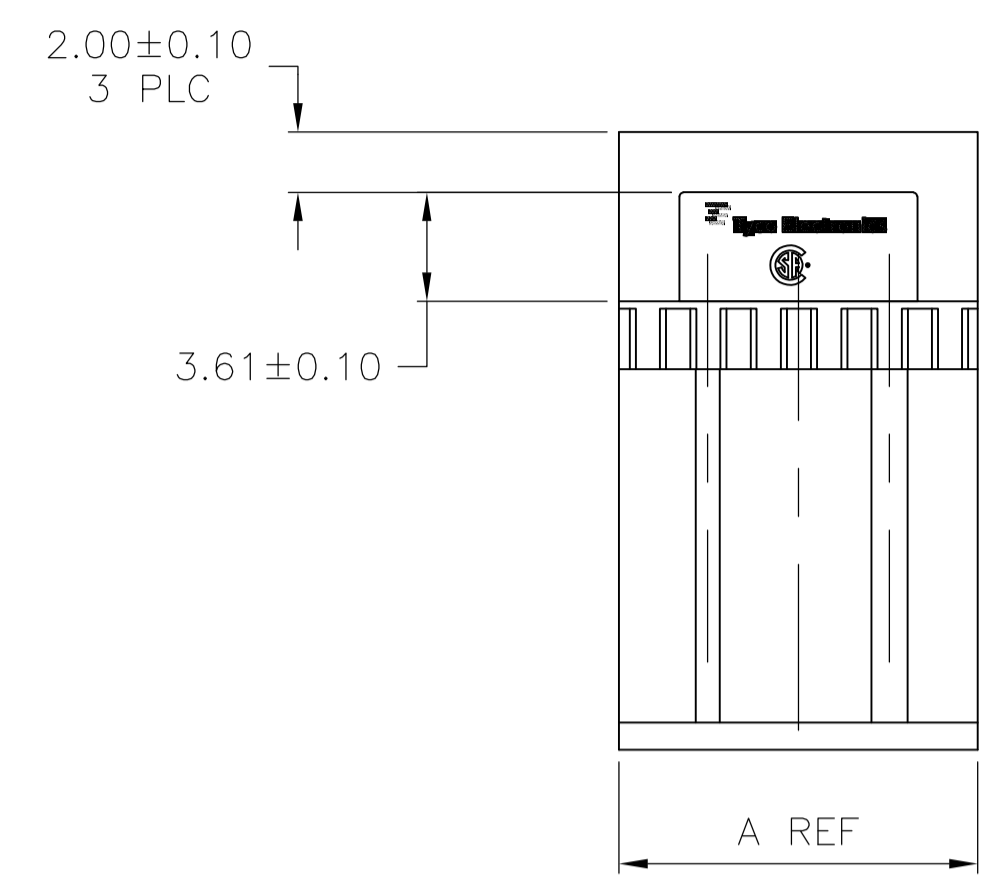


LOC		DIST		REVISIONS			
AD	00	REV	DATE	BY	CHK	APPV	
P2		REVISED PER ECO-08-009171	22APR08	DH	AS		

- ① HOUSING MATERIAL: LIQUID CRYSTAL POLYMER.
- ② CONTACT MATERIAL: PHOSPHOR-BRONZE.
- ③ CONTACT FINISH:
 UNDERPLATE (ENTIRE CONTACT):
 0.00127 MIN NICKEL PER SAE-AMS-QQ-N-290
 ON MATING SURFACES:
 FLASH GOLD PER ASTM B 488, OVER
 0.00076 MIN PALLADIUM-NICKEL OVER UNDERPLATE, OR
 0.00076 MIN GOLD PER ASTM B 488 OVER UNDERPLATE.
 ON LEADS:
 0.00381 MIN TIN-LEAD OVER UNDERPLATE.
 LUBRICATION (MIN MATING SURFACES)
 SURFACE CONDITIONER AFTER PLATING.



RECOMMENDED CIRCUIT PATTERN
 PER IPC-D300 TYPE II, CLASS C
 (COMPONENT SIDE)

10	5	6	1	11.88	③	8	536607-1
E	D	C	B	A	FINISH	NO OF POSN	PART NUMBER
THIS DRAWING IS A CONTROLLED DOCUMENT.				DWN: D.R.BENDER 08/10/92		Tyco Electronics Corporation	
DIMENSIONS: mm				CHK: S.HEDER 01/25/93		Harrisburg, PA 17105-3608	
TOLERANCES UNLESS OTHERWISE SPECIFIED:				NAME: Z-PACK 2mm FB, POWER MODULE, RCPT. ASS'Y.		PRODUCT SPEC: 4 ROW, 2.73 mm LEAD LENGTH	
0 PLC ± -				APPLICATION SPEC: -		RESTRICTED TO: -	
1 PLC ± -				SIZE: A1		CAGE CODE: 00779	
2 PLC ± .13				DRAWING NO: 536607		SCALE: 4:1	
3 PLC ± -				WEIGHT: -		SHEET 1 OF 1	
4 PLC ± -				CUSTOMER DRAWING		REV P2	
ANGLES ± -							
FINISH: ③							