

10 9 8 7 6 5 4 3 2 1

F

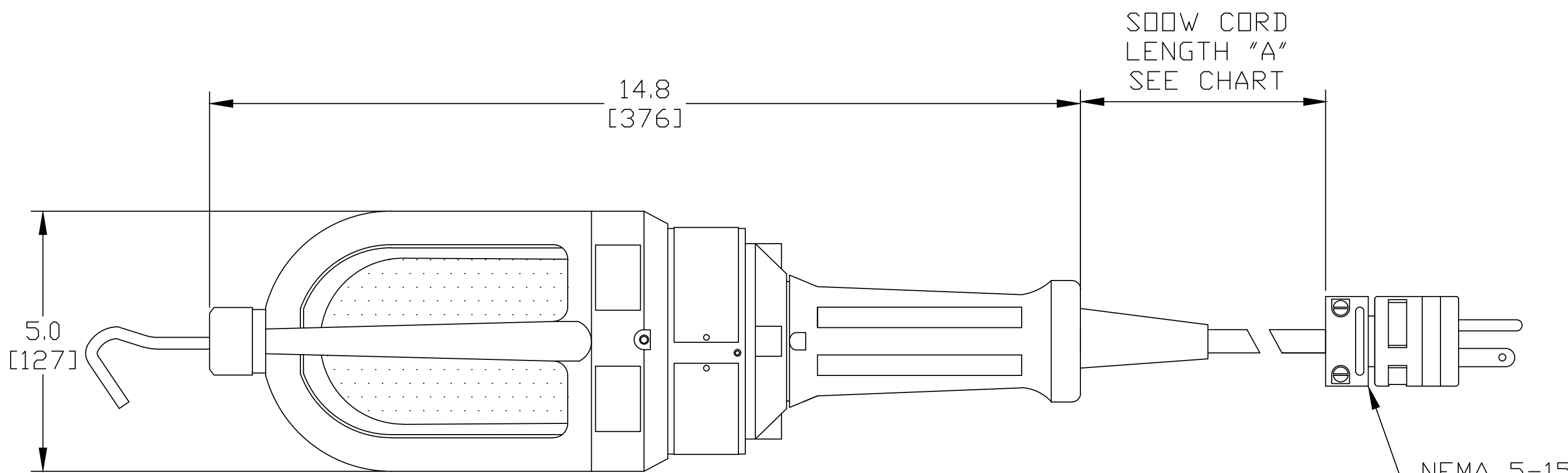
E

D

C

B

A



NOTES:

1. HOUSING MATERIAL: ALUMINUM ALLOY A360-T6
2. HANDLE MATERIAL: NYLON ZYTEL 101
3. GLOBE MATERIAL: TEMPERED SODA LIME GLASS, FROSTED
4. HOOK MATERIAL: #2024 ANNEALED ALUMINUM WIRE
5. cULus LISTED E30252
6. HAZARDOUS LOCATIONS: CLASS I GROUP C & D, CLASS II GROUP F & G
7. NEMA 4X
8. TEMP RATING; T4
9. INPUT: 120VAC, .17A, 20 W
10. LEDS: 5000K, 70CRI

CATALOG #	MATERIAL #	"A"	CORD TYPE
61450	1301040082	N/A	N/A
61450A143	1301040083	25'	14-3
61450B143	1301040084	50'	14-3
61450D143	1301040085	100'	14-3
61450A163	1301040086	25'	16-3
61450B163	1301040087	50'	16-3
61450D163	1301040088	100'	16-3

EC NO: IPG2015-2110 DRWN: PSNAGEL 2015/06/09 CHKD: HKNEELAN 2015/06/15 APPR: BWOODMAN2016/01/21	DESCRIPTION REV	QUALITY SYMBOLS	GENERAL TOLERANCES (UNLESS SPECIFIED)	DIMENSION STYLE INCH [MM]	SCALE NTS	DESIGN UNITS INCH	THIRD ANGLE PROJECTION
		$\nabla=0$ $\nabla C =$	mm INCH 4 PLACES ±--- ±--- 3 PLACES ±--- ±.005 2 PLACES ±0.13 ±.010 1 PLACE ±0.25 ±.020 ANGULAR ±.5°	DRAWN BY DATE PSNAGEL 2015/06/09 CHECKED BY DATE HKNEELAN 2015/06/15 APPROVED BY DATE BWOODMAN 2016/01/21	TITLE	SALES DRAWING HIGH OUTPUT LED HAZ LOCATION HANDLAMP MOLEX INCORPORATED	
		DRAFT WHERE APPLICABLE MUST REMAIN WITHIN DIMENSIONS	SEE CHART	DOCUMENT NO. SD-61450	SHEET NO. 1 OF 1		
		A	B	THIS DRAWING CONTAINS INFORMATION THAT IS PROPRIETARY TO MOLEX INCORPORATED AND SHOULD NOT BE USED WITHOUT WRITTEN PERMISSION			

10 9 8 7 6 5 4 3 2 1