



INCHES (MILLIMETERS)
CUSTOMER DRAWINGS AVAILABLE UPON REQUEST

| | | | |
|----------|---|-------------------------------|---|
| CP-AD103 | 9 | CP-AD807 | 3 |
| CP-AD104 | 9 | CP-AD808 | 7 |
| CP-AD105 | 9 | CP-AD809 | 3 |
| CP-AD106 | 9 | CP-AD810 | 7 |
| CP-AD107 | 9 | CP-AD811 | 9 |
| CP-AD151 | 9 | CP-AD817 | 7 |
| CP-AD152 | 9 | CP-AD818 | 7 |
| CP-AD153 | 9 | CP-AD819 | 7 |
| CP-AD212 | 9 | CP-AD820 | 6 |
| CP-AD213 | 8 | BNC Jack to N Jack | 3 |
| CP-AD214 | 8 | BNC Jack to N Plug | 3 |
| CP-AD215 | 8 | BNC Jack to SMA Jack | 2 |
| CP-AD217 | 8 | BNC Jack to SMA Plug | 2 |
| CP-AD218 | 9 | BNC Jack to TNC Plug | 3 |
| CP-AD219 | 8 | BNC Plug to N Jack | 3 |
| CP-AD220 | 8 | BNC Plug to SMA Jack | 2 |
| CP-AD275 | 5 | BNC Plug to SMA Plug | 2 |
| CP-AD300 | 3 | BNC Plug to TNC Jack | 3 |
| CP-AD301 | 6 | BNC to F | 4 |
| CP-AD302 | 6 | BNC to Mini-UHF | 4 |
| CP-AD303 | 6 | BNC to RCA | 4 |
| CP-AD304 | 6 | BNC to UHF | 4 |
| CP-AD305 | 6 | F to European type connectors | 9 |
| CP-AD311 | 5 | F to N | 9 |
| CP-AD312 | 5 | F to P3.5MM | 9 |
| CP-AD313 | 5 | F to RCA | 9 |
| CP-AD314 | 3 | F to UHF | 9 |
| CP-AD500 | 4 | N Jack to SMA Jack | 7 |
| CP-AD501 | 4 | N Jack to SMA Plug | 7 |
| CP-AD502 | 4 | N Plug to SMA Jack | 7 |
| CP-AD504 | 4 | N Plug to SMA Plug | 7 |
| CP-AD507 | 2 | N to UHF | 7 |
| CP-AD508 | 2 | RCA to P3.5MM | 9 |
| CP-AD509 | 4 | TNC Jack to SMA Jack | 5 |
| CP-AD512 | 4 | TNC Jack to SMA Plug | 5 |
| CP-AD515 | 4 | TNC Plug to N Jack | 6 |
| CP-AD516 | 4 | TNC Plug to SMA Jack | 5 |
| CP-AD517 | 4 | TNC Plug to SMA Plug | 5 |
| CP-AD582 | 2 | TNC to Mini-UHF | 6 |
| CP-AD583 | 2 | TNC to UHF | 6 |
| CP-AD805 | 7 | UHF to Mini-UHF | 8 |
| CP-AD806 | 3 | UHF to RCA | 8 |
| | | UHF to SMA | 8 |

Between Series Adapters

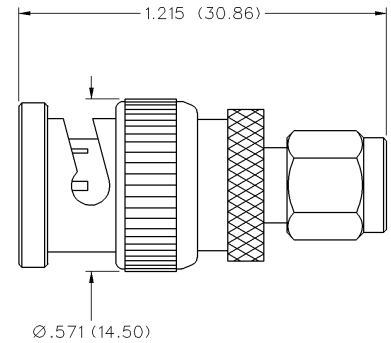
BNC to SMA

INCHES (MILLIMETERS)
CUSTOMER DRAWINGS AVAILABLE UPON REQUEST

BNC Plug to SMA Plug



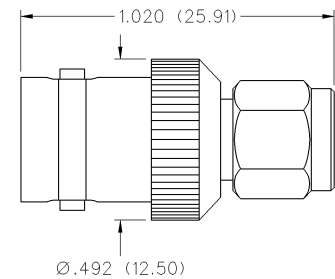
CP-AD582



BNC Jack to SMA Plug



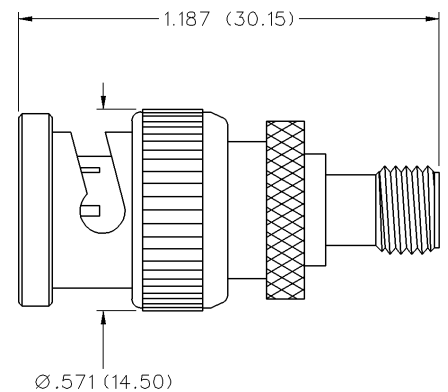
CP-AD508



BNC Plug to SMA Jack



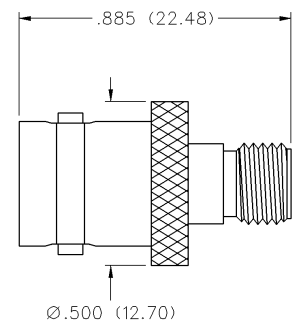
CP-AD583



BNC Jack to SMA Jack

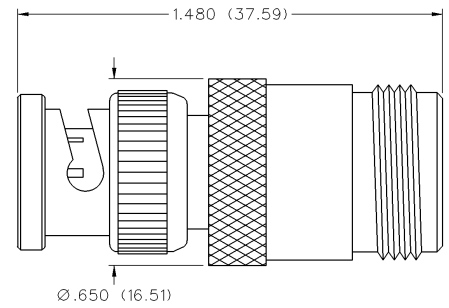


CP-AD507



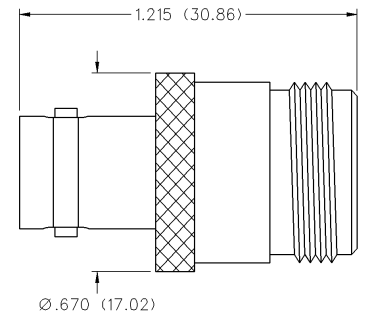
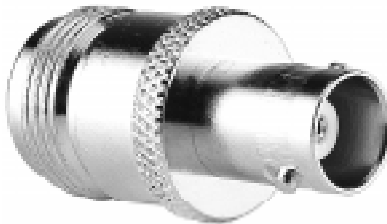
INCHES (MILLIMETERS)
CUSTOMER DRAWINGS AVAILABLE UPON REQUEST

BNC Plug to N Jack



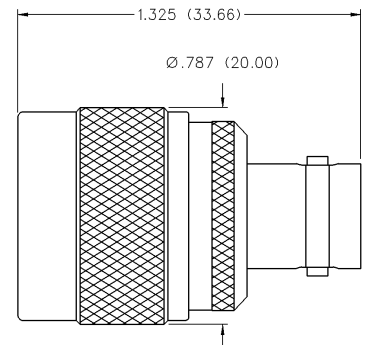
CP-AD807

BNC Jack to N Jack



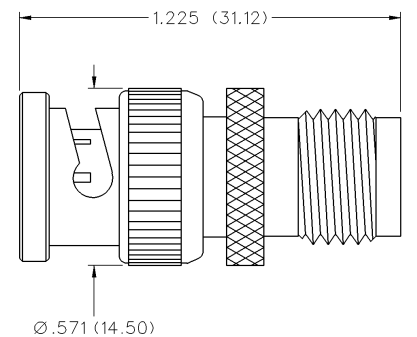
CP-AD806

BNC Jack to N Plug



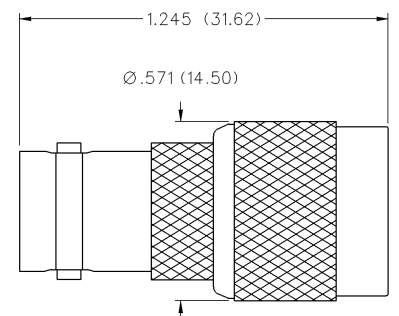
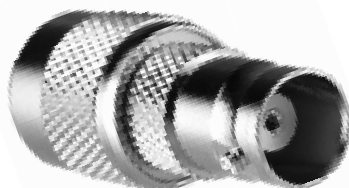
CP-AD809

BNC Plug to TNC Jack



CP-AD314

BNC Jack to TNC Plug



CP-AD300

Between Series Adapters

BNC to F, BNC to RCA, BNC to UHF, BNC to Mini-UHF

BNC to F

**BNC Jack to F Plug
Adapter**



CP-AD502

**BNC Plug to F Jack
Adapter**



CP-AD516

BNC to RCA

**BNC Jack to RCA Plug
Adapter**



CP-AD501

**BNC 50 Ohm Plug to
RCA Jack Adapter**



CP-AD515

**BNC 75 Ohm Plug to
RCA Jack Adapter**



CP-AD517

BNC to UHF

**BNC Jack to UHF Plug
Adapter**



CP-AD500

**BNC Plug to UHF Jack
Adapter**



CP-AD512

**BNC Jack to UHF Jack
Adapter**



CP-AD504

BNC to Mini-UHF

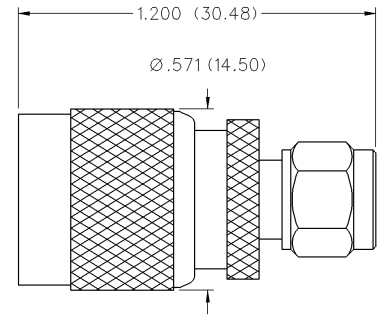
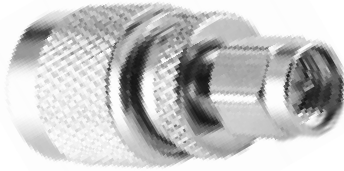
**BNC Jack to
Mini-UHF Plug
Adapter**



CP-AD509

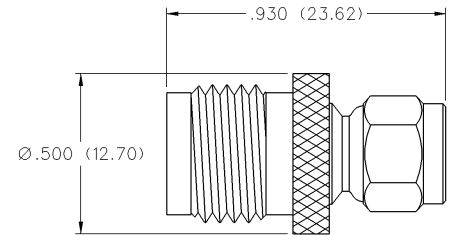
INCHES (MILLIMETERS)
CUSTOMER DRAWINGS AVAILABLE UPON REQUEST

TNC Plug to SMA Plug



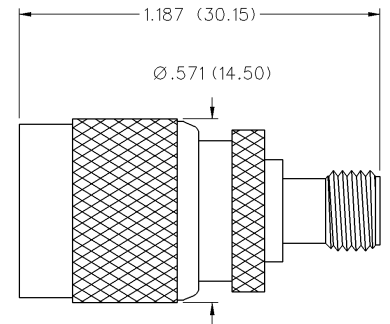
CP-AD311

TNC Jack to SMA Plug



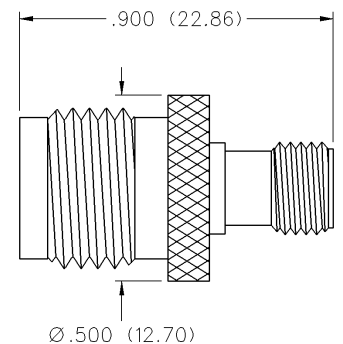
CP-AD312

TNC Plug to SMA Jack



CP-AD313

TNC Jack to SMA Jack



CP-AD275

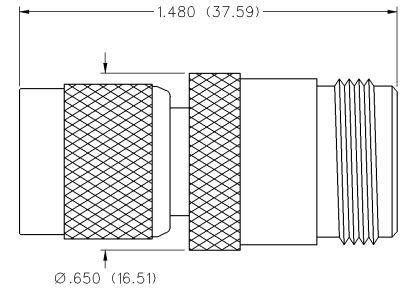
Between Series Adapters

TNC to UHF, TNC to Mini-UHF



INCHES (MILLIMETERS)
CUSTOMER DRAWINGS AVAILABLE UPON REQUEST

TNC Plug to N Jack



CP-AD820

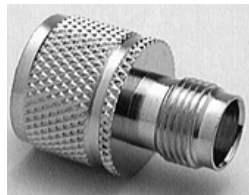
TNC to UHF

TNC Plug to UHF Jack Adapter



CP-AD301

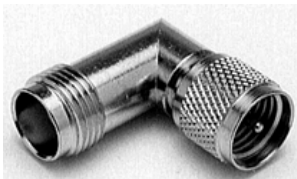
TNC Jack to UHF Plug Adapter



CP-AD304

TNC to Mini-UHF

TNC Jack to Right Angle Mini-UHF Plug Adapter



CP-AD303

TNC Plug to Mini-UHF Jack Adapter



CP-AD302

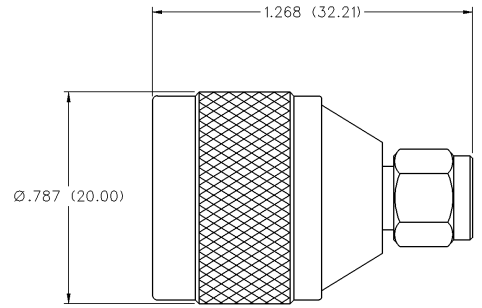
TNC Jack to Mini-UHF Plug Adapter



CP-AD305

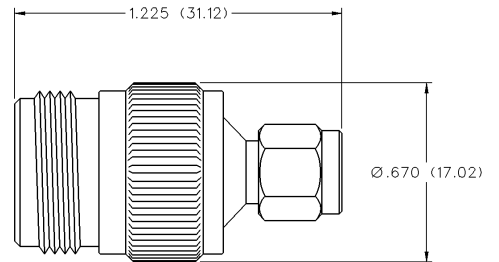
INCHES (MILLIMETERS)
CUSTOMER DRAWINGS AVAILABLE UPON REQUEST

N Plug to SMA Plug



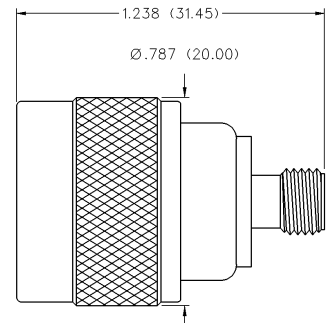
CP-AD817

N Jack to SMA Plug



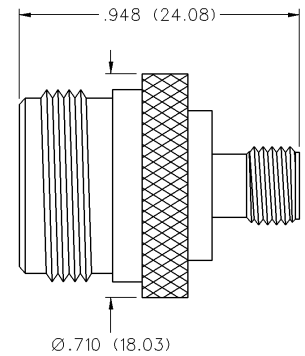
CP-AD818

N Plug to SMA Jack



CP-AD810

N Jack to SMA Jack



CP-AD819

N to UHF

N Jack to UHF Plug Adapter



CP-AD805

N Plug to UHF Jack Adapter



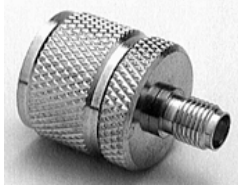
CP-AD808

Between Series Adapters

UHF to SMA, UHF to RCA, UHF to Mini-UHF

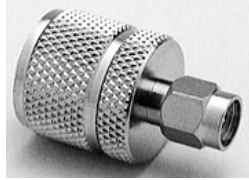
UHF to SMA

**UHF Plug to SMA Jack
Adapter**



CP-AD215

**UHF Plug to SMA Plug
Adapter**



CP-AD220

UHF to RCA

**UHF Plug to RCA Jack
Adapter**



CP-AD217

**UHF Jack to RCA Plug
Adapter**



CP-AD213

UHF to Mini-UHF

**UHF Jack to Mini UHF Plug
Adapter**



CP-AD214

**UHF Plug to Mini UHF Jack
Adapter**



CP-AD219

INCHES (MILLIMETERS)
CUSTOMER DRAWINGS AVAILABLE UPON REQUEST

F to N

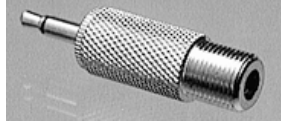
**F Jack to N Plug
Adapter**



CP-AD811

F to P3.5MM

**F Jack to P3.5MM Plug
Adapter**



CP-AD107

F to UHF

**F Jack to UHF Plug
Adapter**



CP-AD218

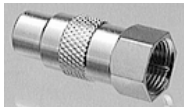
F Plug to UHF Jack



CP-AD212

F to RCA

**F Plug to RCA Jack
Adapter**



CP-AD106

**F Jack to RCA Plug
Adapter**



CP-AD103

**F Jack to RCA Jack
Adapter**



CP-AD105

F to European type connectors

**F Jack to European Plug
Adapter**



CP-AD151

**F Plug to European Jack
Adapter**



CP-AD152

**F Jack to European Jack
Adapter**



CP-AD153

RCA to P3.5MM

**RCA Jack to P3.5MM
Plug Adapter**



CP-AD104