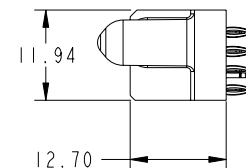
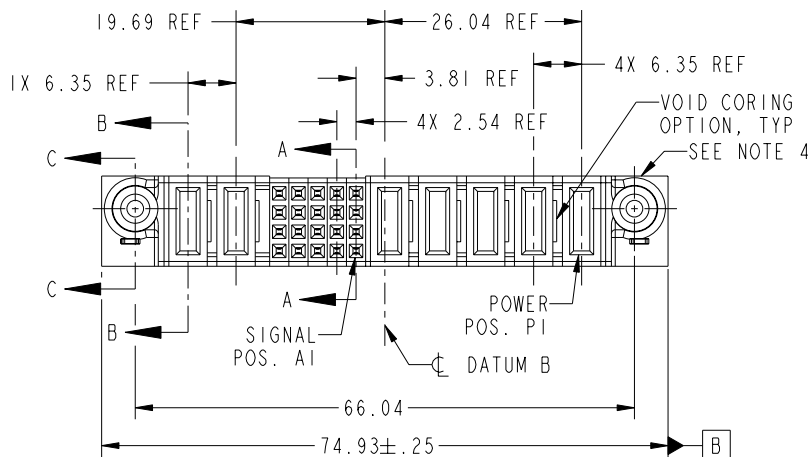


Tous droits strictement réservés. Reproduction ou communication o des tiers interdite sous quelque forme que ce soit sans autorisation écrite du propriétaire. Propriete de c FCI. Droits de reproduction FCI.



All rights strictly reserved. Reproduction or issue to third parties in any form whatever is not permitted without written authority from the proprietor. Property of FCI. Copyright FCI.

PRODUCT NO.	ROWS	POWER		SIGNAL				POWER							
		E2	P8	P6	5	4	3	2	1	P5	P4	P3	P2	P1	E1
51940-206-- NOTE: 3	D C B A		PF	PF	F	F	F	F	F	PF	PF	PF	PF	PF	



CODE	DIM "M" MATING LENGTH	CONTACT TYPE
PF	[2.34]	POWER
F	[N/A]	SIGNAL
HA	[N/A]	HOLD-DOWN

mat'l code				SEE NOTES		tolerances unless otherwise specified		CUSTOMER		FCI www.fciconnect.com	
ltr	ecr no.	dr	date	linear	0.X ± 0.3	projection		COPY		title	
A	DG06-0483	JULIA	11/15/06	angles	0.XX ± 0.13			5P + 20S + 2P		VERTICAL PF RECEPT	
				dr	0.XXX ± 0.051			product family		code	
				engr	0° ± 2°	scale		PwrBlade		213	
				chr		1:1		size		sheet	
				appd				51940-206		1 of 4	
sheet index	revision sheet	A	A	A	A			A			
		1	2	3	4			cage code		4	
								22526			

Pro/E

cage code 22526

PDM: Rev:A

STATUS: Released

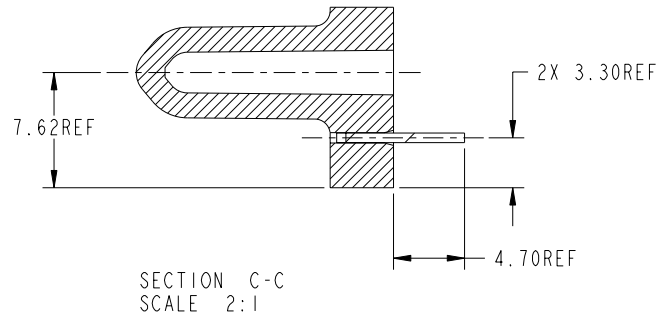
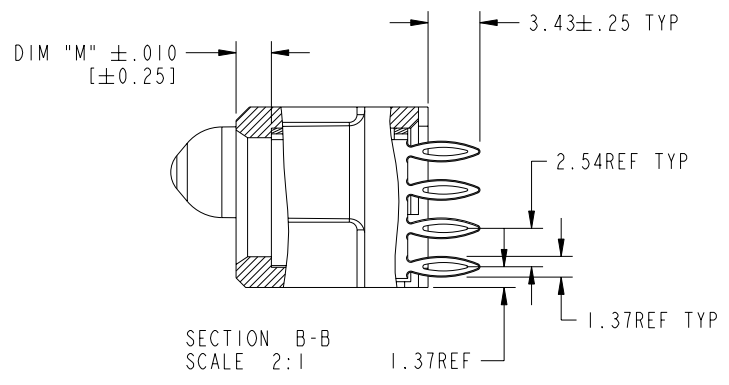
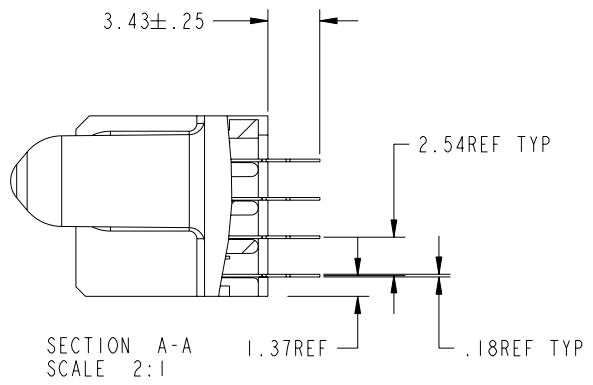
Printed: Dec 20, 2010

Tous droits strictement reserves. Reproduction ou communication a des tiers interdite sous quelque forme que ce soit sans autorisation ecrite du proprietaire. Propriete de c FCI. Droits de reproduction FCI.

All rights strictly reserved. Reproduction or issue to third parties in any form whatever is not permitted without written authority from the proprietor. Property of FCI. Copyright FCI.



PRODUCT NUMBER
51940-206__
NOTE: 3



mat'l code				tolerances unless otherwise specified		CUSTOMER	FCI www.fciconnect.com	
ltr	ecm no.	dr	date	linear	0.X ± 0.3	COPY	title	
A					0.XX ± 0.13	projection	5P + 20S + 2P VERTICAL PF RECEPT	
				angles	0.XXX ± 0.051		product family	
				dr	JULIA WANG 11/15/06		PwrBlade	
				enr	RYAN YUAN 11/15/06	scale	size	code
				chr	BEER FU 11/15/06	1:1	dwg no	213
				appd	JOSEPH HSIA 11/15/06		A	51940-206
sheet index	revision sheet							sheet 2 of 4

Pro/E cage code 22526

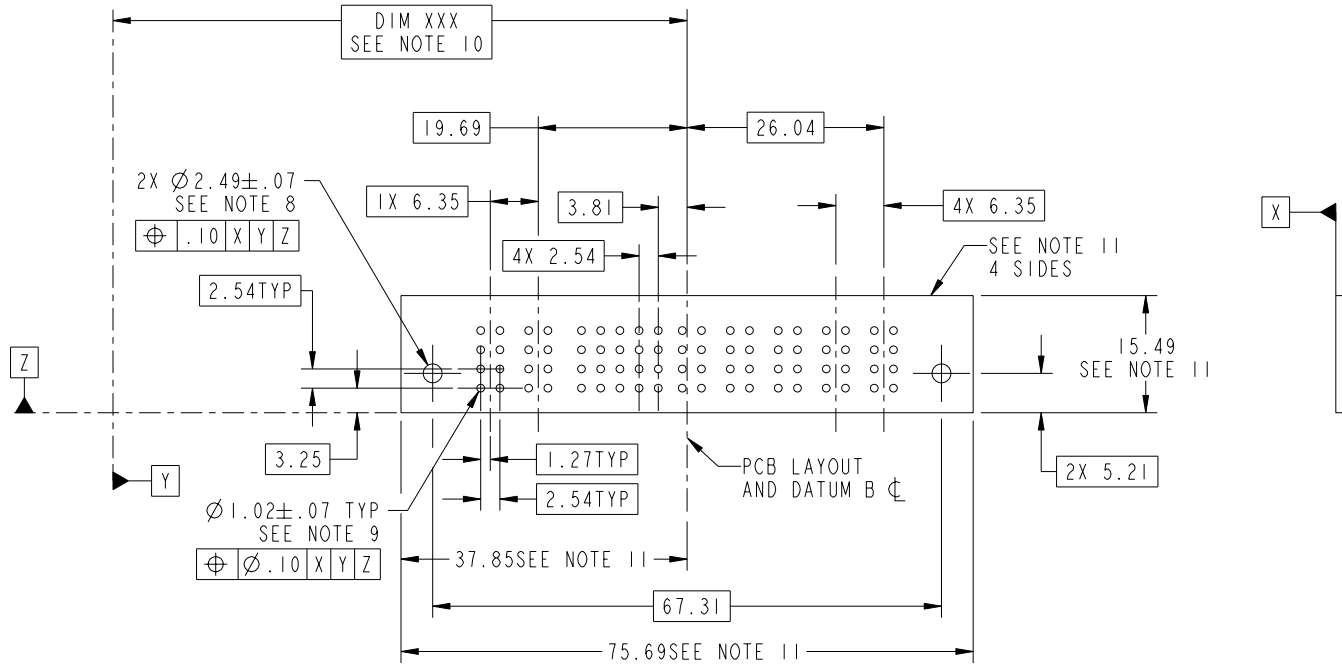
Tous droits strictement reserves. Reproduction ou communication a des tiers interdite sous quelque forme que ce soit sans autorisation ecrite du proprietaire. Propriete de c FCI. Droits de reproduction FCI.



All rights strictly reserved. Reproduction or issue to third parties in any form whatever is not permitted without written authority from the proprietor. Property of FCI. Copyright FCI.

PRODUCT NUMBER

51940-206__
NOTE: 3



mat'l code				tolerances unless otherwise specified		CUSTOMER		FCI www.fciconnect.com	
ltr	ecm no.	dr	date	linear	0.X ± 0.3	COPY		title	
A					0.XX ± 0.13	projection		5P + 20S + 2P VERTICAL PF RECEPT	
				angles	0.XXX ± 0.051	MM		product family	
				dr	JULIA WANG 11/15/06	scale		PwrBlade	
				enr	RYAN YUAN 11/15/06	1:1		code	
				chr	BEER FU 11/15/06			213	
				appd	JOSEPH HSIA 11/15/06			sheet	
sheet index		revision sheet						3 of 4	
								cage code	
								22526	

Pro/E

cage code 22526

PDM: Rev:A

STATUS: Released

Printed: Dec 20, 2010

Tous droits strictement réservés. Reproduction ou communication o des tiers interdite sous quelque forme que ce soit sans autorisation écrite du propriétaire. Propriete de c FCI. Droits de reproduction FCI.

All rights strictly reserved. Reproduction or issue to third parties in any form whatever is not permitted without written authority from the proprietor. Property of FCI. Copyright FCI.

PRODUCT NUMBER

51940-206__
NOTE: 3

NOTES:

1. DIMENSIONS AND TOLERANCES ARE IN ACCORDANCE WITH ASME Y14.5M, 1994 UNLESS OTHERWISE SPECIFIED.

CONNECTOR NOTES:

- 2 HOUSING MATERIAL: UL 94 V-0 GLASS FILLED
HIGH-TEMP THERMOPLASTIC
POWER CONTACT MATERIAL: COPPER ALLOY
SIGNAL PIN MATERIAL: COPPER ALLOY
- 3. PLATING SPEC.
51940-206,51940-206LF PLATING SPEC. WAS SHOWN IN THE PRINT OF 10064183.
- 4 MANUFACTURER'S NAME, P/N, AND DATE CODE TO APPEAR ON THIS SURFACE.
- 5. PRODUCT SPECIFICATION GS-12-149.
APPLICATION SPECIFICATION BUS-20-067.
- 6. PACKAGED IN TRAYS.

PCB NOTES:

- 7. ALL HOLE DIAMETERS ARE FINISHED HOLE SIZE.
- 8 MOUNTING HOLES, WHERE APPLICABLE, ARE UNPLATED.
- 9 $\varnothing 1.151 \pm 0.025$ DRILLED HOLES PLATED WITH
0.008 MIN SnPb OR Sn OVER 0.03
TO 0.08 Cu PLATING TO ACHIEVE
 $\varnothing 1.02 \pm .07$ HOLE.
- 10 "DIM XXX" TO BE DETERMINED BY THE CUSTOMER.
- 11 CONNECTOR KEEP-OUT ZONE.

mat'l code				tolerances unless otherwise specified		CUSTOMER	FCI www.fciconnect.com	
ltr	ecn no.	dr	date	linear	0.X ± 0.3	COPY	title	
A					0.XX ± 0.13	projection	5P + 20S + 2P VERTICAL PF RECEPT	
				angles	0.XXX ± 0.051		product family	
				dr	0° ± 2°		PwrBlade	
				enr	JULIA WANG 11/15/06	scale	code	
				chr	RYAN YUAN 11/15/06	1:1	213	
				appd	BEER FU 11/15/06		sheet	
					JOSEPH HSIA 11/15/06		4 of 4	
sheet index	revision sheet							



scale 1:1

cage code 22526

Pro/E

PDM: Rev:A

STATUS: Released

Printed: Dec 20, 2010