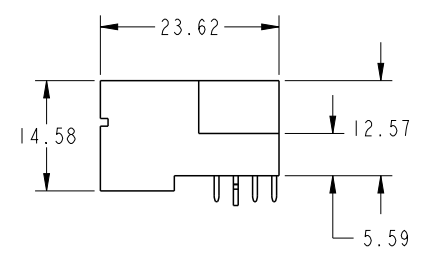
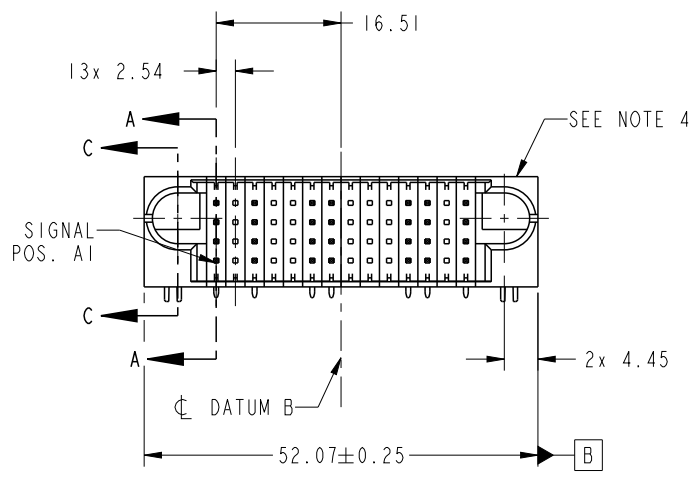


PRODUCT NO.	ROWS	SIGNAL														
		E1	1	2	3	4	5	6	7	8	9	10	11	12	13	14
51939-922-- NOTE 3	D C B A	H	H	X	X	X	H	H	X	X	X	H	H	X	X	U
		G	X	G	X	X	G	G	X	X	X	G	G	X	T	
		F	X	F	X	X	F	F	X	X	X	F	F	X	S	
		E	X	E	X	X	E	E	X	X	E	E	X	R		



CODE	DIM "M" MATING LENGTH	CONTACT TYPE
H	[5.59]	SIGNAL
G	[5.59]	SIGNAL
F	[5.59]	SIGNAL
E	[5.59]	SIGNAL
R	[6.86]	SIGNAL
S	[6.86]	SIGNAL
T	[6.86]	SIGNAL
U	[6.86]	SIGNAL
HA	[N/A]	HOLD-DOWN
X		OMITTED



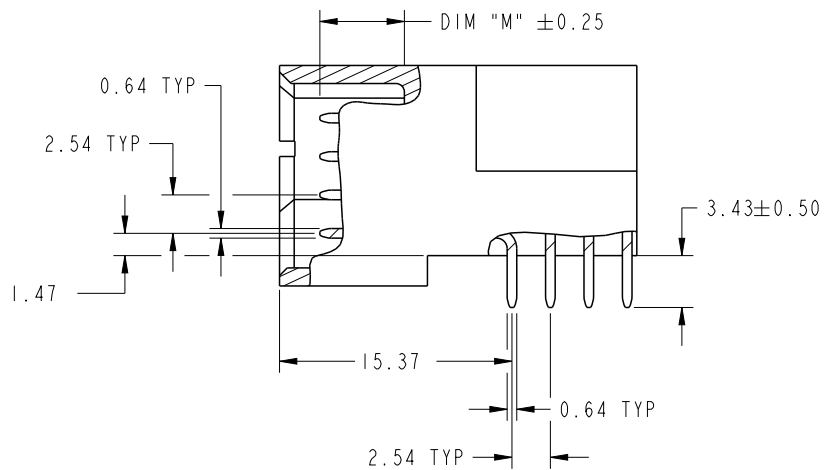
Copyright FCI.

spec ref	*	dr	Ruan MT	2014/09/15	projection	MM	size	A4	scale	1:1
tolerance std	ASME Y14.5	eng	De-Ming Lu	2014/09/27		←→	ecn no	-	rel level	Released
TOLERANCES UNLESS OTHERWISE SPECIFIED		chr	-	-						
surface	✓	appr	Pei-Ming Zheng	2014/09/27	product family	PwrBlade				
ASME Y14.5	linear	0.X	±0.5		title	56S	cat. no.	-	Product - Customer Drw	sheet 1 of 4
		0.XX	±0.25							
		0.XXX	±0.1							
	angular	0°	±2°	www.fci.com						
				www.fci.com	cat. no.	-	Product - Customer Drw	sheet 1 of 4		
				www.fci.com	cat. no.	-	Product - Customer Drw	sheet 1 of 4	rev	A

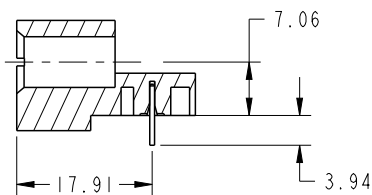
PrdE File - REV C - 2009-06-09

PRODUCT NUMBER

51939-922--
NOTE: 3



BROKEN-OUT SECTION A-A
SCALE 2:1

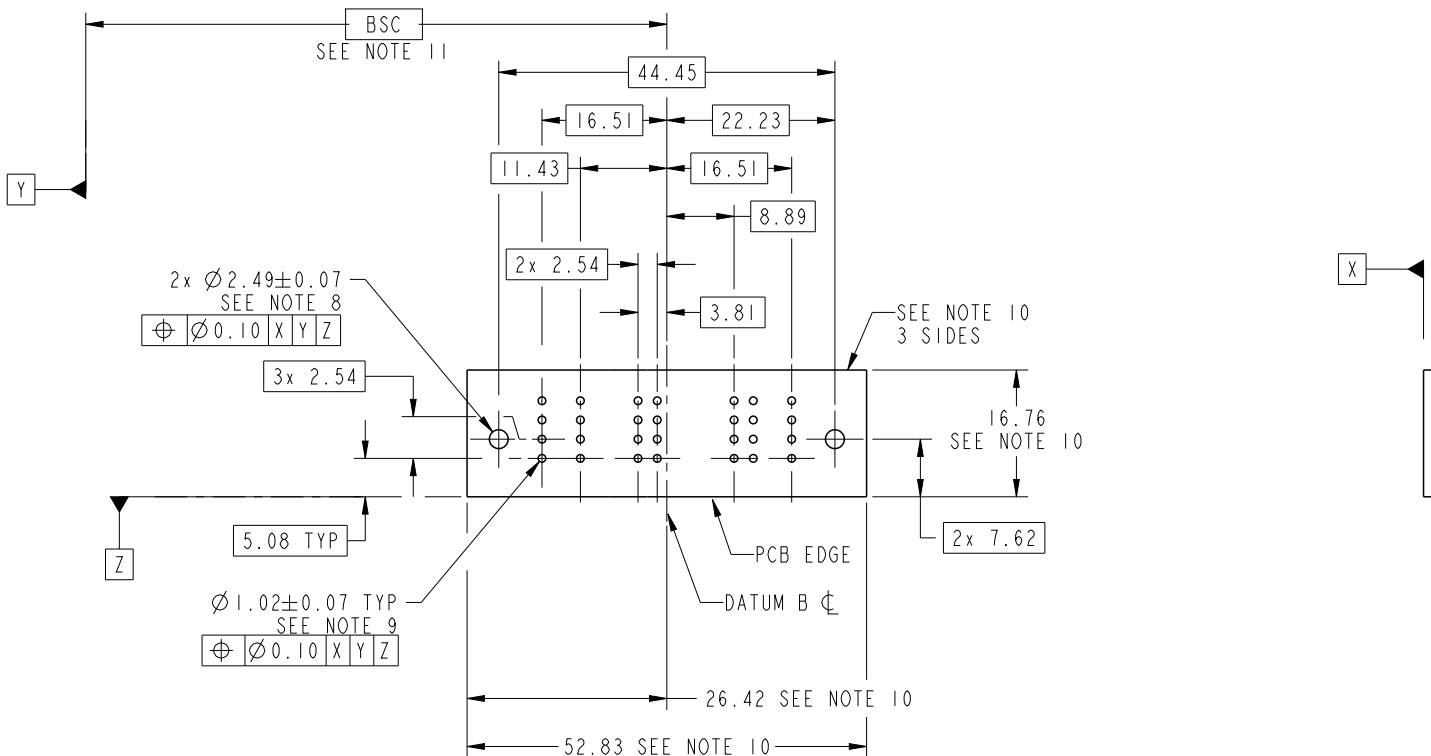


SECTION C-C

dr	Ruan MT	2014/09/15	projection 	MM 	size	A4	scale	1:1
eng	De-Ming Lu	2014/09/27			ecn no	-		
chr	-	-			rel level	Released		
appr	Pei-Ming Zheng	2014/09/27	product family	PwrBlade				
		title 56S RIGHT ANGLE SOLDER HEADER	dwg no 51939-922	rev A				
www.fci.com		cat. no.	-	Product - Customer Drw	sheet 2 of 4			

PRODUCT NUMBER

51939-922__
NOTE: 3



RECOMMENDED PCB LAYOUT

dr	Ruan MT	2014/09/15	projection 	MM ←→	size	A4	scale	1:1
eng	De-Ming Lu	2014/09/27			ecn no	-		
chr	-	-			rel level	Released		
appr	Pei-Ming Zheng	2014/09/27	product family	PwrBlade	rev	A		
	title	56S	dwg no	51939-922	cat. no.	-	Product - Customer Drw	sheet 3 of 4
www.fci.com								

PRODUCT NUMBER

51939-922--
NOTE: 3

NOTES:

1. DIMENSIONS AND TOLERANCES ARE IN ACCORDANCE WITH ASME Y14.5M, 1994 UNLESS OTHERWISE SPECIFIED.

CONNECTOR NOTES:

- 2. HOUSING MATERIAL: UL 94 V-0 GLASS FILLED HIGH-TEMP THERMOPLASTIC
POWER CONTACT MATERIAL: COPPER ALLOY
SIGNAL PIN MATERIAL: COPPER ALLOY
- 3. SEE ITEM 1 & 2 IN PRINT 10064183 FOR PLATING SPEC OF 51939-922 AND 51939-922LF RESPECTIVELY.
- 4. MANUFACTURER'S NAME, DATE CODE AND OPTIONAL P/N TO APPEAR ON THIS SURFACE. THE MARK CAN BE OMITTED IF THERE IS NOT ENOUGH SPACE ON THIS SURFACE.
- 5. PRODUCT SPECIFICATION GS-12-149.
APPLICATION SPECIFICATION BUS-20-067.
- 6. PACKAGED IN TRAYS.

PCB NOTES:

- 7. ALL HOLE DIAMETERS ARE FINISHED HOLE SIZE.
- 8. MOUNTING HOLES, WHERE APPLICABLE, ARE UNPLATED.
- 9. $\varnothing 1.151 \pm 0.025$ DRILLED HOLES PLATED WITH 0.008 MIN SnPb OR Sn OVER 0.03 TO 0.08 Cu PLATING TO ACHIEVE $\varnothing 1.02 \pm 0.07$ HOLE.
- 10. CONNECTOR KEEP-OUT ZONE.
- 11. DATUM AND BASIC DIMENSIONS ARE ESTABLISHED BY CUSTOMER.

dr	Ruan MT	2014/09/15	projection 	MM 	size	A4	scale	1:1		
eng	De-Ming Lu	2014/09/27			ecn no	-				
chr	-	-			product family	PwrBlade	rel level	Released		
appr	Pei-Ming Zheng	2014/09/27			title	56S	dwg no	51939-922	rev	A
www.fci.com		cat. no.	-	Product - Customer Drw			sheet 4 of 4			



Copyright FCI.