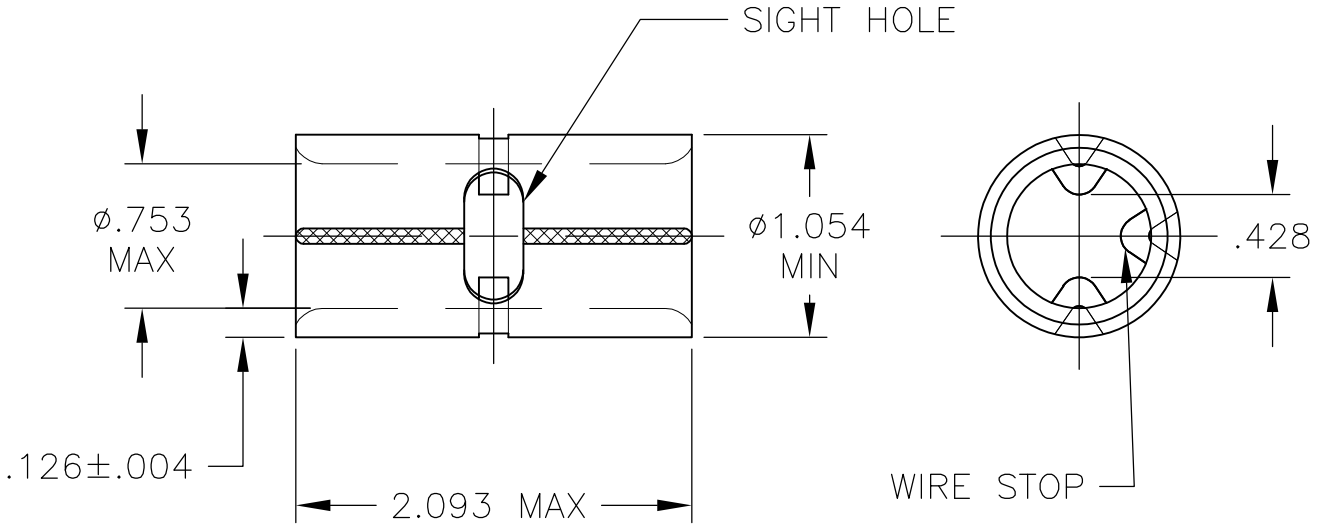


LOC G	DIST 14	REVISIONS			
P	LTR	DESCRIPTION	DATE	DWN	APVD
	D1	REVISED PER ECR-08-022483	26SEP08	HMR	JR



MATERIAL: COPPER PER ASTM B152, ANNEALED



THIS DRAWING IS UNPUBLISHED.

ALL INTERNATIONAL RIGHTS RESERVED.

© COPYRIGHT - BY TYCO ELECTRONICS CORPORATION.

<del>NICKEL (QQ-N-290) .000650 MIN THK</del>	<del>1-322279-0</del>
<del>TN PL (ASTM-B545)TYPE I</del>	322279
FINISH	PART NO

DIMENSIONS: INCHES	DWN RAGHAVENDRA	26SEP08	MATERIAL	1	FINISH	SEE TABLE
	CHK JEFF RUTH	26SEP08	Tyco Electronics Corporation Harrisburg, PA 17105-3608			
TOLERANCES UNLESS OTHERWISE SPECIFIED:	APVD Michielutti Thomas	26SEP08				
0 PLC ± -	PRODUCT SPEC		NAME WIRE SPLICE SOLISTRAND- BUTT			
1 PLC ± -	-		WIRE SIZE: 250-300 MCM			
2 PLC ± -	APPLICATION SPEC		SIZE	CAGE CODE	DRAWING NO	RESTRICTED TO
3 PLC ± .008	-		A4	00779	C-322279	-
4 PLC ± -	WEIGHT		-			
ANGLES ± 5'	-		-			
	-		-			
	-		-			
CUSTOMER DRAWING			SCALE	1:1	SHEET	1 OF 1
			REV D1			