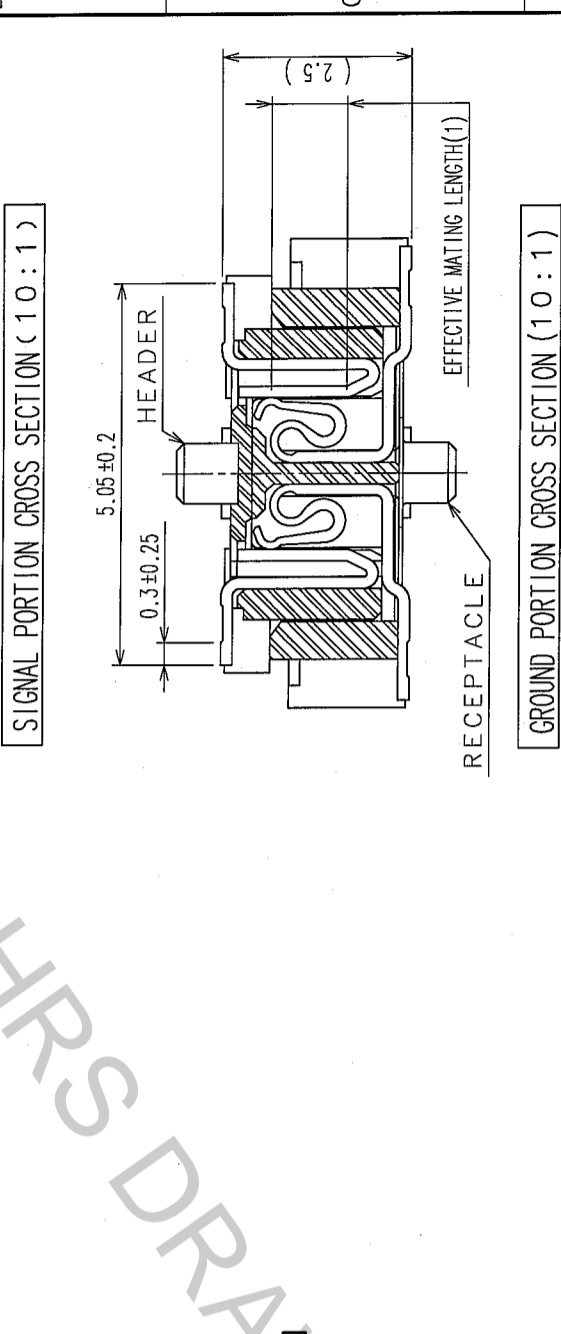
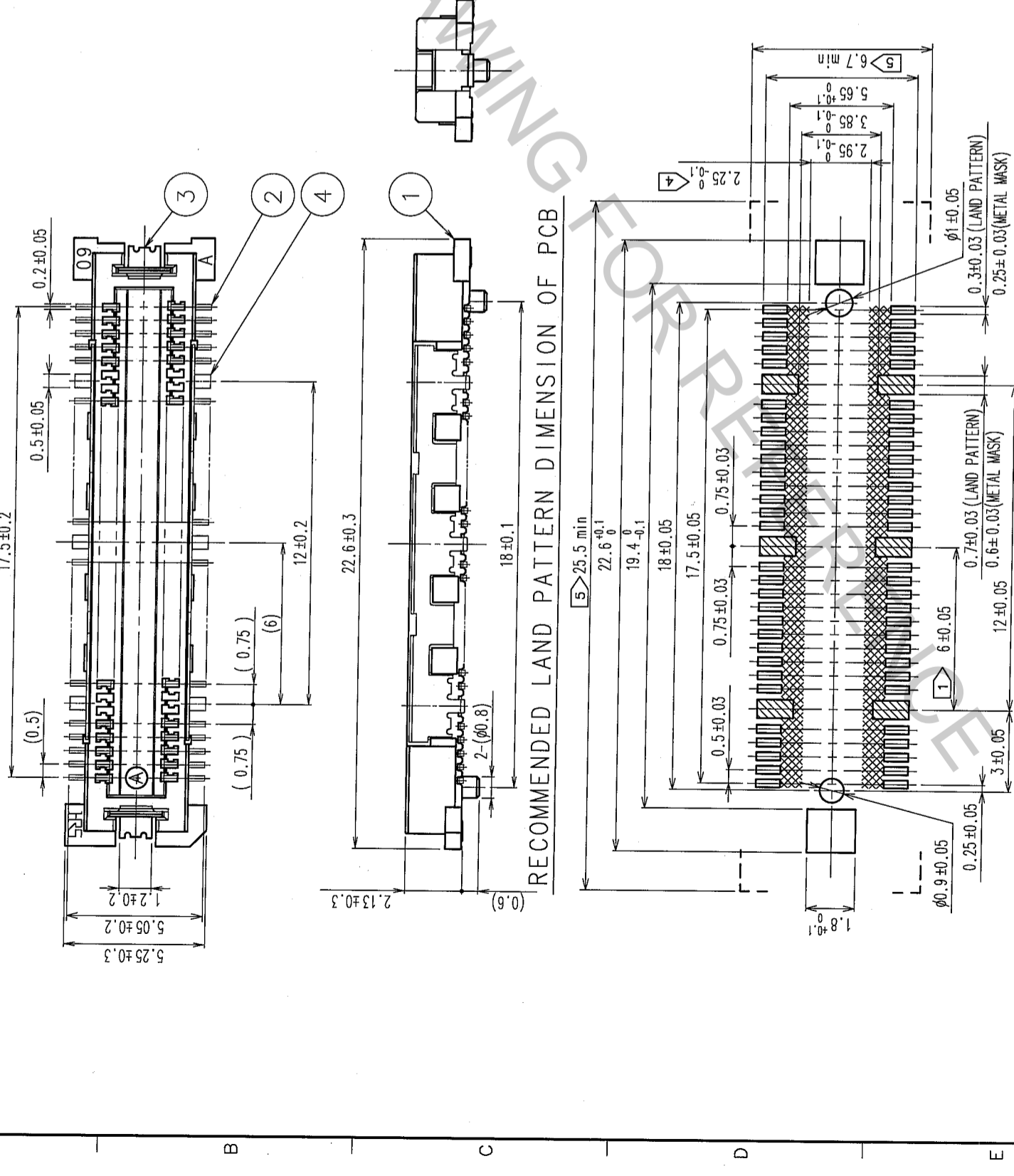


COUNT	DESCRIPTION OF REVISIONS	BY	CHKD	DATE	COUNT	DESCRIPTION OF REVISIONS	BY	CHKD	DATE

A B C D E F



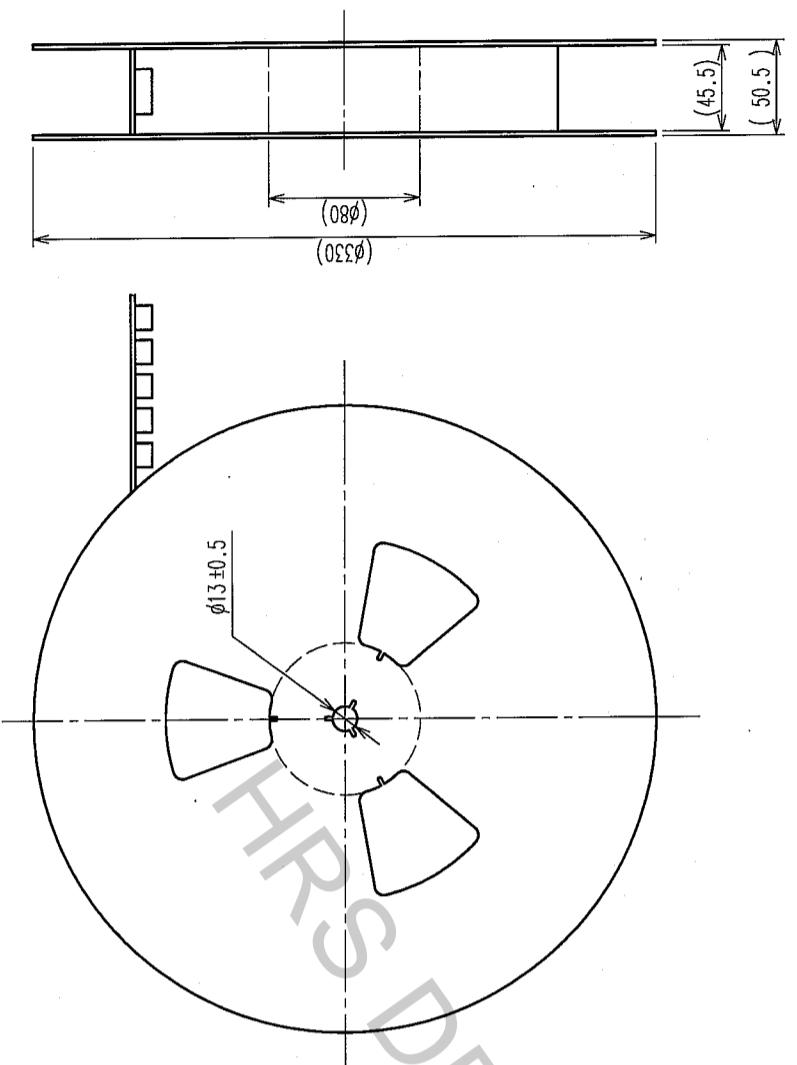
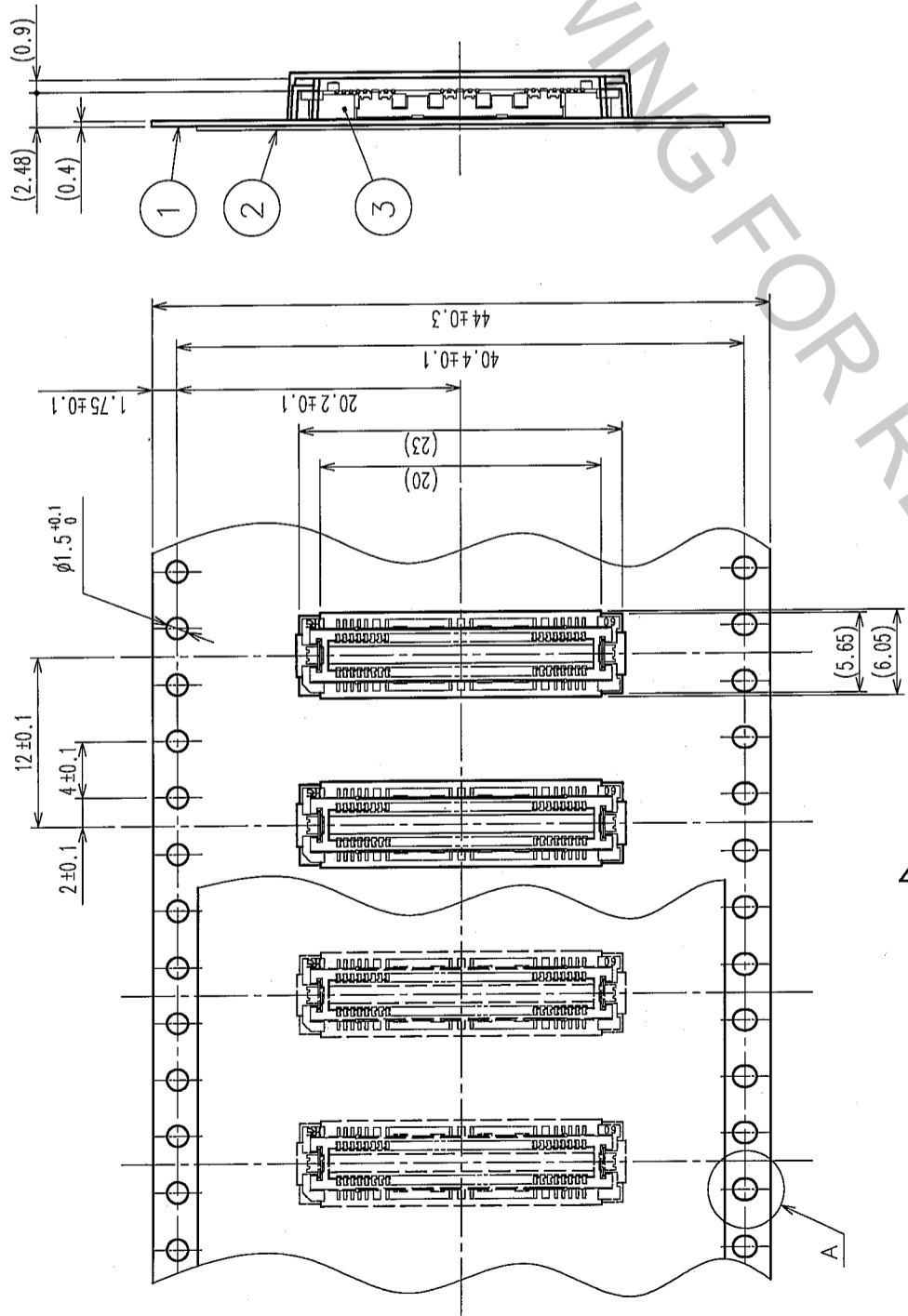
3, 4	PHOSPHOR BRONZE	TIN PLATING	2	COPPER ALLOY	CONTACT AREA : GOLD 0.1 μ m min.
1	LCP	BEIGE UL94V-0			LEAD AREA : GOLD FLASH
NO.	MATERIAL	FINISH, REMARKS	NO.	MATERIAL	UNDER PLATING : NICKEL 1 μ m min.
CODE NO.(COLD)	DRAWN DESIGNED CHECKED APPROVED RELEASED				FINISH, REMARKS
CL	T. YAMAGISHIMA	'05.12.20	K. NAKAMURA	X. Ogawa	H. Okawa
	PART NO. FX11A-60P/6-SV(91)				
	DRAWING NO. EDC3-152597-21				
SCALE 5 : 1	CODE NO. CL573-0502-0-91				1 / 2
UNITS mm	HIROSE ELECTRIC CO., LTD.				FORM NO. 229

6	HATCHED	PARTS:GROUND CIRCUIT.
2	SMT LEAD-COPLANARITY:	0.1 MAX.
3	THIS PRODUCT HAS NO POLARITY TO PATTERN FOR MOUNTING.	
4	MAKE SURE WIDTH OF PATTERN IS WITHIN THAT OF LAND, OR LEAD MAY TOUCH PATTERN.(THIS APPLIES TO HATCHED AREA.)	
5	DO NOT MOUNT OTHER DEVICES ONTO AREA, OR MATING PAIR CANNOT BE MATED.	
6	TO BE EMBOSSED CARRIER TAPED AS SPECIFIED IN SHEET 2.	
7	THE DIMENSIONS IN PARENTHESSES ARE FOR REFERENCE.	

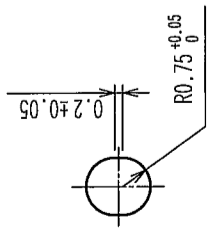
TO		
----	--	--

COUNT	DESCRIPTION OF REVISIONS	BY	CHKD	DATE	COUNT	DESCRIPTION OF REVISIONS	BY	CHKD	DATE
△					△				
△					△				
△					△				

REELED DIMENSION (Free)



A(5:1)



- NOTES
- 1 REEL: 1000 CONNECTORS.
 - 2 MINIMUM 10 COMPARTMENTS FROM BOTH REEL ENDS REMAIN EMPTY.
 - 3 THIS PRODUCT HAS NO POLARITY TO TAPE AND REEL PACKAGING.
 - 4 THE DIMENSIONS IN PARENTHESES ARE FOR REFERENCE.

2	PET	TOP COVER TAPE	3	(CONNECTOR)	FINISH, REMARKS	DESIGNED	CHECKED	APPROVED	RELEASED
1	PS	EMBOSSED CARRIER TAPE	3						
NO.	MATERIAL	FINISH, REMARKS	NO.	MATERIAL					
CODE NO. (OLD)	DRAWN		DESIGNED	CHECKED	APPROVED	RELEASED			
CL	I. YAMAGISAWA		T. YAMAGISAWA	(Signature)	(Signature)	(Signature)			
	DRAWING NO.		PART NO.						
	EDC3-152597-21		FX11A-60P/6-SV(91)						
SCALE	2:1								
UNITS	mm								
DRAWING NO.		PART NO.							
EDC3-152597-21		FX11A-60P/6-SV(91)							
UNITS		mm							
HRS		HIROSE ELECTRIC CO., LTD							
CL573-0502-0-91		CL573-0502-0-91							

TO