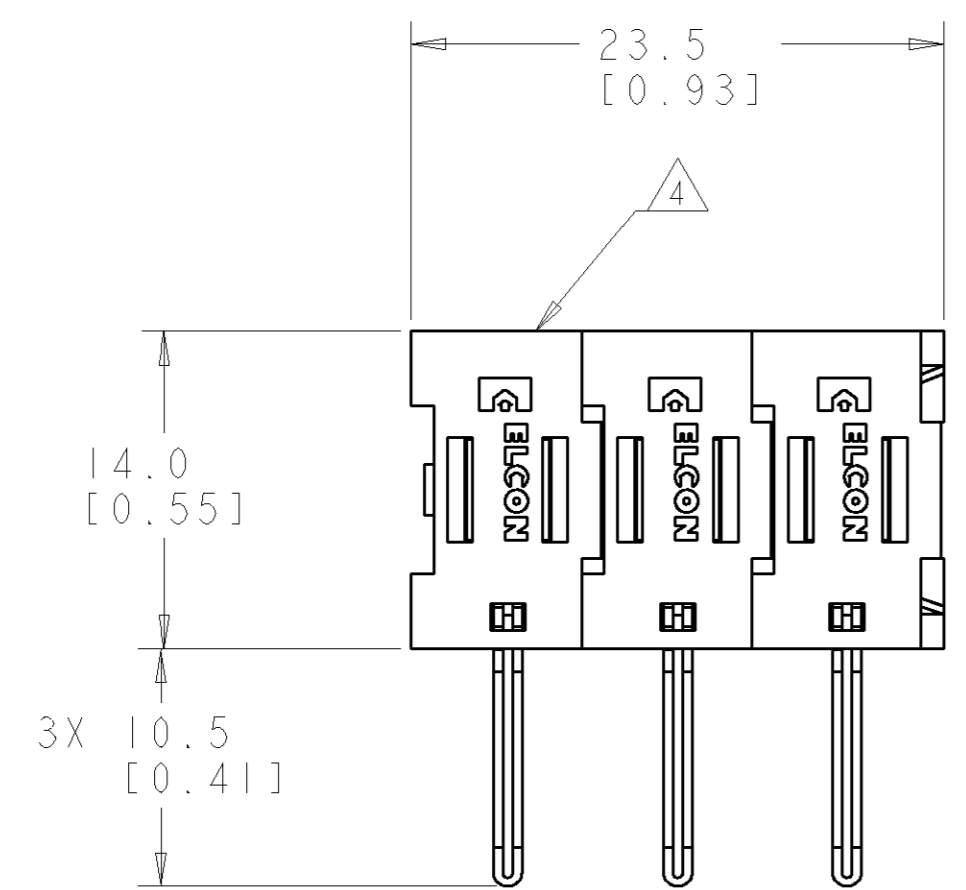


THIS DRAWING IS UNPUBLISHED. RELEASED FOR PUBLICATION 20  
 © COPYRIGHT 20 BY TYCO ELECTRONICS CORPORATION. ALL RIGHTS RESERVED.

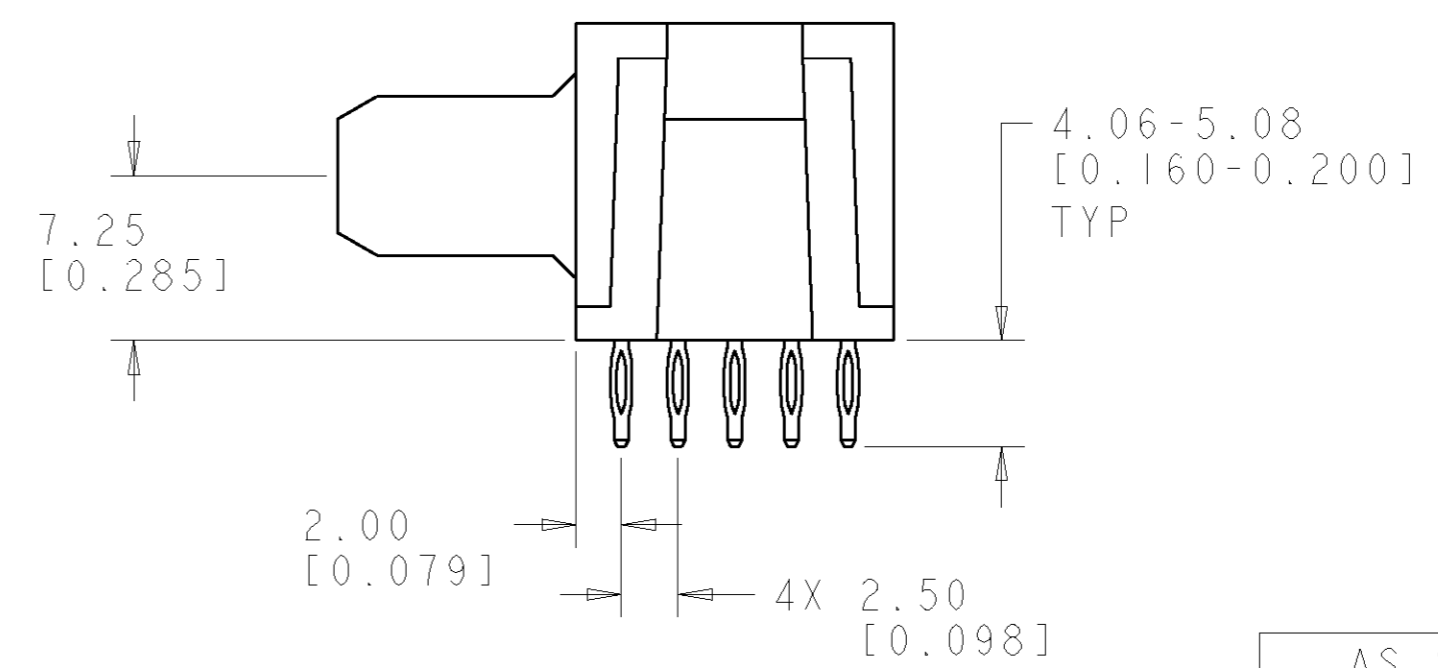
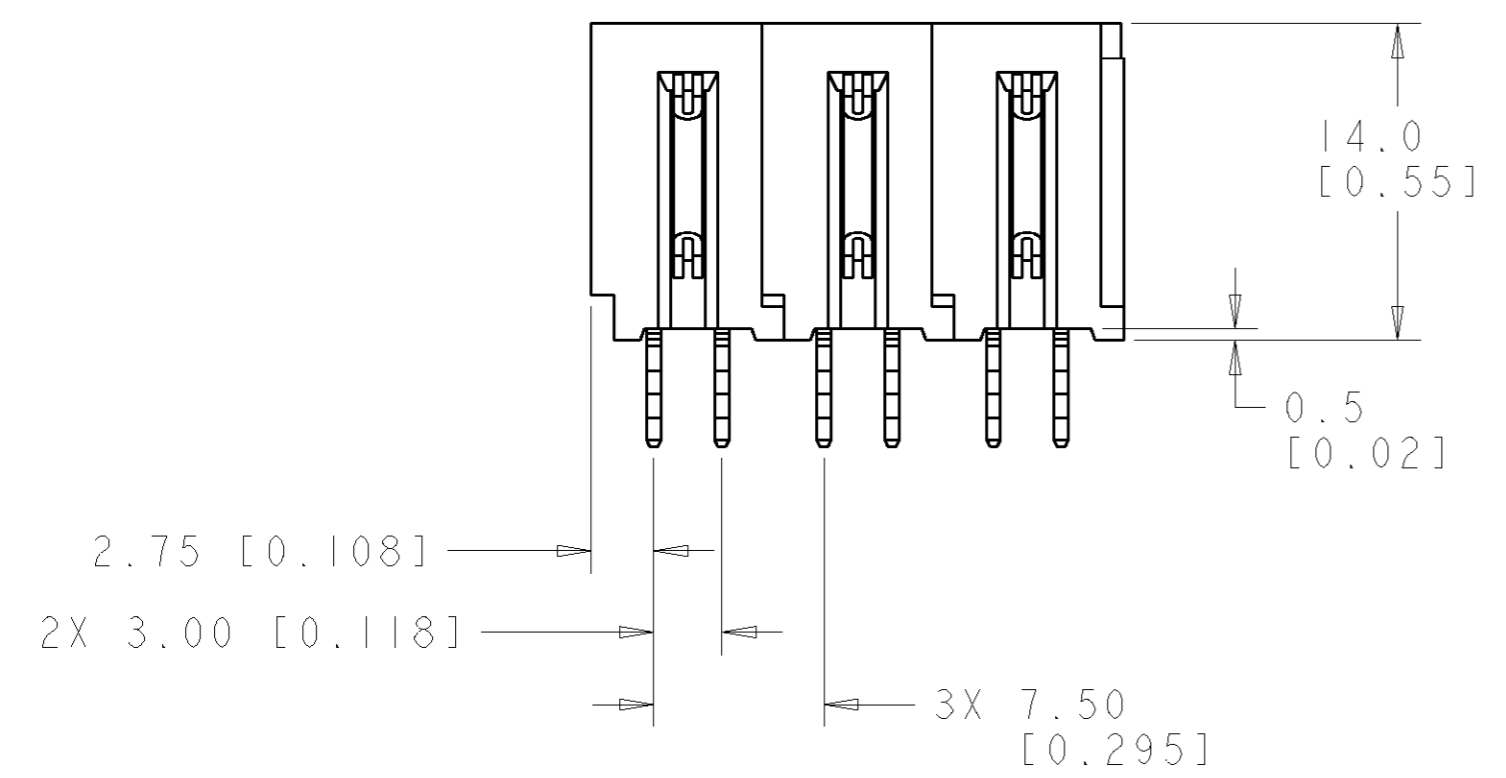
LOC	DIST	REVISIONS					
GP	00	P	LTR	DESCRIPTION	DATE	DWN	APVD
			A	NEW RELEASE	19APR2007	RG	DO



- PART NUMBER CHANGES AND OR DESIGN CHANGES AFFECTING ITEM INTERCHANGEABILITY REQUIRE PRIOR TYCO APPROVAL AND AUTHORIZATION BY REVISION TO THIS DRAWING.
- MATERIAL:
  - INSULATORS - THERMOPLASTIC, GLASS REINFORCED, COLOR: BLACK UL94V-0 FLAMMABILITY RATED.
  - POWER CONTACTS - PHOSPHOR BRONZE ALLOY, COPPER ALLOY
  - CROWN BANDS - BERYLLIUM COPPER ALLOY
- FINISH:
  - CONTACTS - GOLD PLATE .76µm MIN. THK., OVER NICKEL 1.27µm MIN. THK
  - COMPLIANT TAILS, TIN 1.02µm MIN. THK. OVER NICKEL 1.27µm MIN. THK

△ ITEMS PROVIDED TO THIS SPECIFICATION TO BE PERMANENTLY IDENTIFIED PER THE FOLLOWING IDENTIFIER LABEL

YEAR WEEK  
 TYCO PART NO. & REV DATE CODE (e.g. 0106)  
 XXXXXXXX-X XXXX



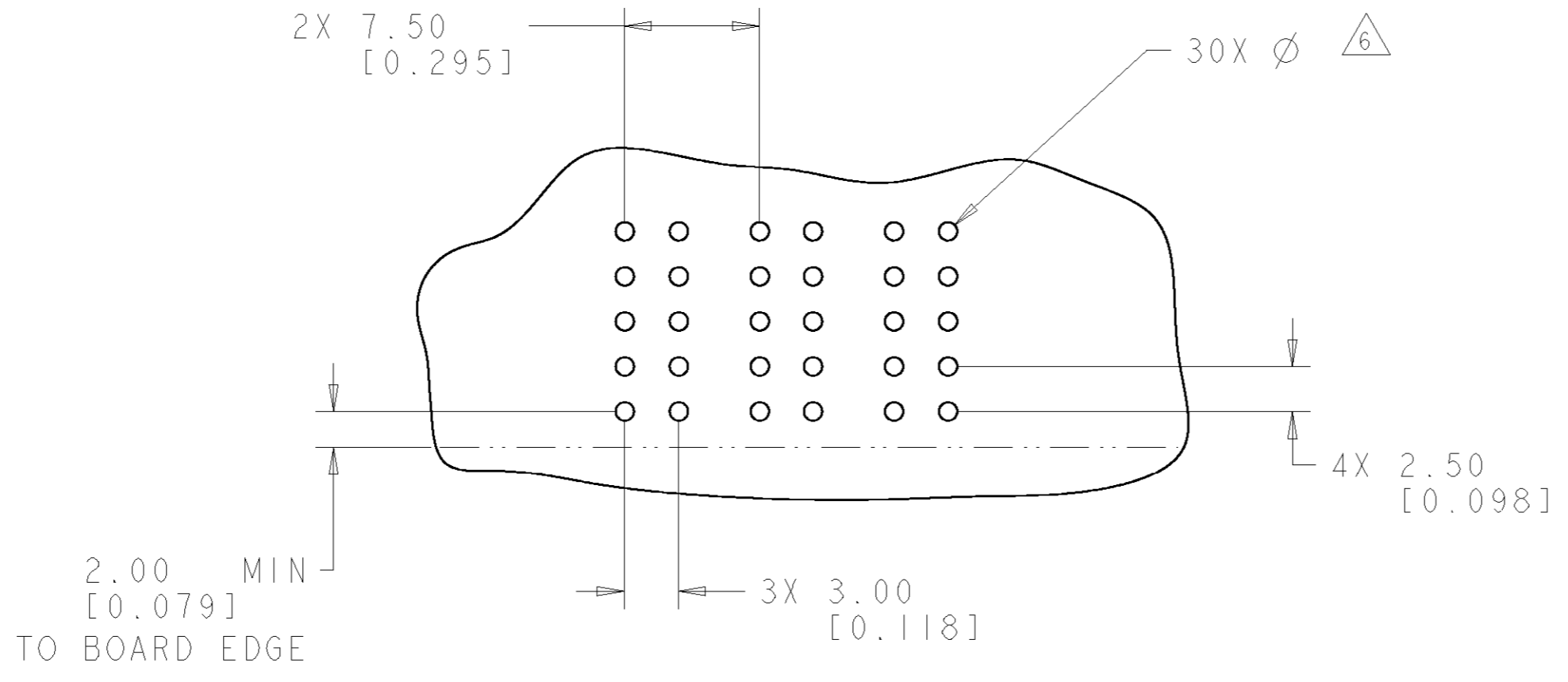
AS SHOWN	6646911-1
DESCRIPTION	PART NUMBER

<small>THIS DRAWING IS A CONTROLLED DOCUMENT FOR TYCO ELECTRONICS CORPORATION IT IS SUBJECT TO CHANGE AND THE CONTROLLING ENGINEERING ORGANIZATION SHOULD BE CONTACTED FOR THE LATEST REVISION.</small>		DWN R. GRZYBOWSKI 19APR07	Tyco Electronics Harrisburg, PA 17105-3608
DIMENSIONS: mm [INCHES]		CHK D. ORRIS 19APR07	
TOLERANCES UNLESS OTHERWISE SPECIFIED:		APVD S. FLICKINGER 19APR07	
0 PLC ±.5 [.020] 1 PLC ±.5 [.020] 2 PLC ±.25 [.010] 3 PLC ±.5 [.020] 4 PLC ±.5 [.020] ANGLES ±.5		NAME PIN CONNECTOR RIGHT ANGLE, COMPLAINT TAILS FLATPAQ	
MATERIAL	FINISH	PRODUCT SPEC APPLICATION SPEC WEIGHT	RESTRICTED TO
-	-	-	SIZE A200779
CUSTOMER DRAWING		SCALE 3:1	DRAWING NO 6646911
		SHEET 1 OF 3	REV A

**ELCON FLATPAQ**

THIS DRAWING IS UNPUBLISHED. RELEASED FOR PUBLICATION 20  
 © COPYRIGHT 20 BY TYCO ELECTRONICS CORPORATION. ALL RIGHTS RESERVED.

LOC	DIST	REVISIONS					
GP	00	P	LTR	DESCRIPTION	DATE	DWN	APVD
		-		SEE SHEET 1	-	-	-



PRINTED CIRCUIT LAYOUT  
SCALE 3:1

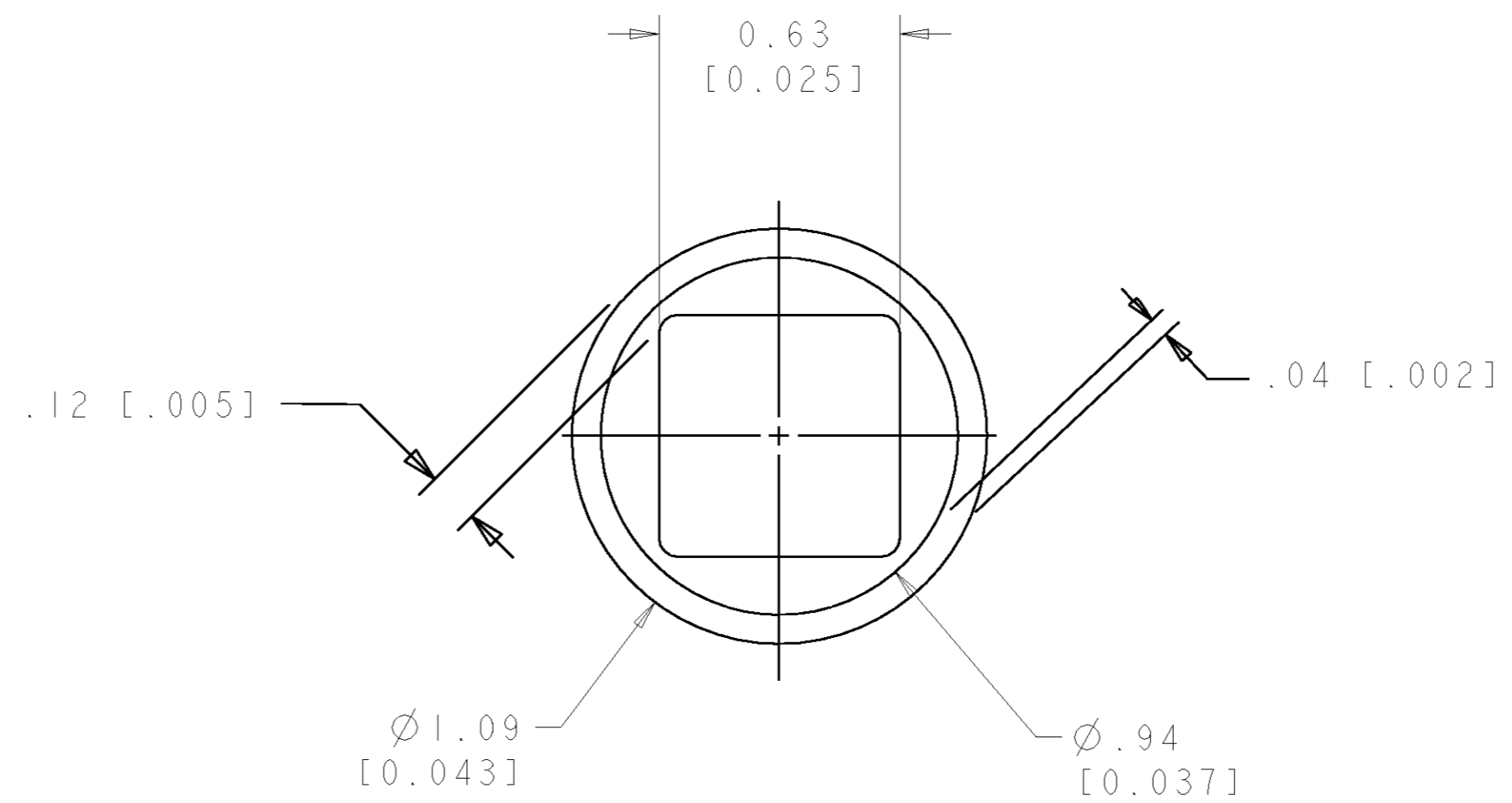
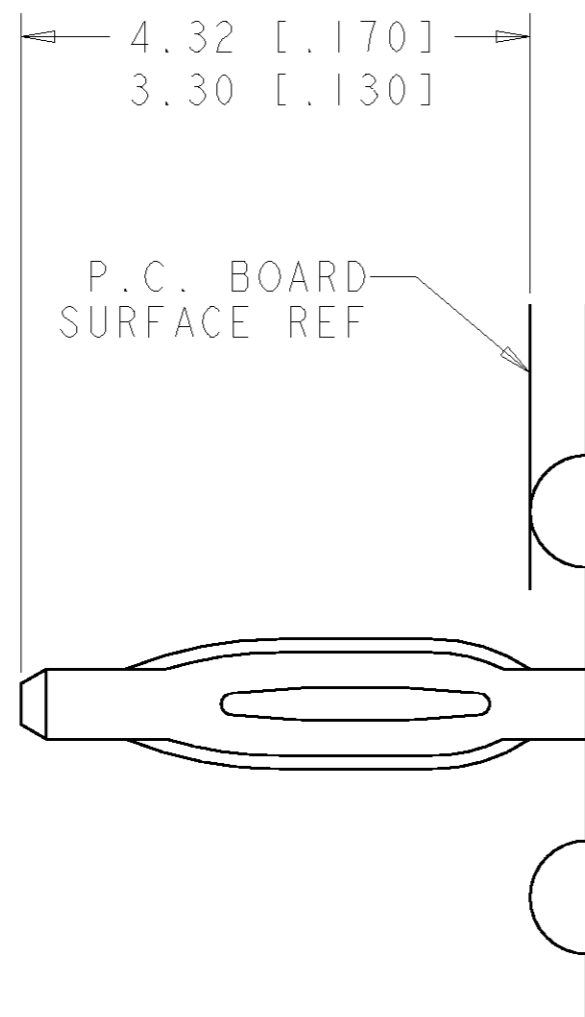
CONNECTOR	CATALOG MODULE #	QTY	SIZE NO.	CONTACT QTY	MATING PIN	MAX. CURRENT (PER CONTACT)	CONTACT SPACING	VOLTAGE RATING
PIN	FP205	3	8	3	1.25 X 7.00 [0.049 X .276]	35 amps	7.50 [0.2953]	250

THIS DRAWING IS A CONTROLLED DOCUMENT FOR TYCO ELECTRONICS CORPORATION. IT IS SUBJECT TO CHANGE AND THE CONTROLLING ENGINEERING ORGANIZATION SHOULD BE CONTACTED FOR THE LATEST REVISION.

DWN R. GRZYBOWSKI 19APR07	Tyco Electronics Harrisburg, PA 17105-3608
CHK D. ORRIS 19APR07	
APVD S. FLICKINGER 19APR07	
NAME PIN CONNECTOR RIGHT ANGLE, COMPLAINT TAILS FLATPAQ	
DIMENSIONS: mm [INCHES]	TOLERANCES UNLESS OTHERWISE SPECIFIED:
0 PLC ±.5 [0.020]	1 PLC ±.25 [0.010]
2 PLC ±.25 [0.010]	3 PLC ±.25 [0.010]
3 PLC ±.25 [0.010]	4 PLC ±.25 [0.010]
4 PLC ±.25 [0.010]	ANGLES ±.5
MATERIAL	FINISH
DWN R. GRZYBOWSKI 19APR07 CHK D. ORRIS 19APR07 APVD S. FLICKINGER 19APR07 PRODUCT SPEC - APPLICATION SPEC - WEIGHT - CUSTOMER DRAWING	
SIZE A200779	CAGE CODE C-6646911
RESTRICTED TO -	SCALE 3:1 SHEET 2 OF 3 REV A

THIS DRAWING IS UNPUBLISHED. RELEASED FOR PUBLICATION 20  
 © COPYRIGHT 20 BY TYCO ELECTRONICS CORPORATION. ALL RIGHTS RESERVED.

LOC	DIST	REVISIONS			
P	LTR	DESCRIPTION	DATE	DWN	APVD
GP	00	-	SEE SHEET 1	-	-



5. COMPLIANT PIN DETAIL  
 SCALE 10 : 1  
 INSERTION/EXTRACTION FORCES  
 MAXIMUM PUSH IN: 133.3N PER PIN  
 [30 LBS]  
 MINIMUM PUSH OU: 44.4N PER PIN  
 [10 LBS]

6. SOLDER TERMINATION AREA  
 SCALE 40:1  
 RECOMMENDED PRINTED CIRCUIT HOLE  
 COMPLIANT PRESS FIT  
 DRILLED HOLE: Ø1.15 [.0453] ±.013 [.0005]  
 COPPER PLATE: .025 [.0010] TO .050 [.0020]  
 TIN PLATE: .0005 [.000020] MIN. (PER SURFACE)

THIS DRAWING IS A CONTROLLED DOCUMENT FOR TYCO ELECTRONICS CORPORATION IT IS SUBJECT TO CHANGE AND THE CONTROLLING ENGINEERING ORGANIZATION SHOULD BE CONTACTED FOR THE LATEST REVISION.		DWN R. GRZYBOWSKI 19APR07	Tyco Electronics Harrisburg, PA 17105-3608	
DIMENSIONS: mm [INCHES]		CHK D. ORRIS 19APR07	NAME PIN CONNECTOR RIGHT ANGLE, COMPLAINT TAILS FLATPAQ	
TOLERANCES UNLESS OTHERWISE SPECIFIED: 0 PLC ±.5 [.020] 1 PLC ±.5 [.020] 2 PLC ±.25 [.010] 3 PLC ±. 4 PLC ±. ANGLES ±.5		APVD S. FLICKINGER 19APR07	RESTRICTED TO	
MATERIAL		PRODUCT SPEC	SIZE	CAGE CODE
		APPLICATION SPEC	A2	00779
		WEIGHT	DRAWING NO 6646911	
		CUSTOMER DRAWING	SCALE 3:1 SHEET 3 OF 3 REV A	