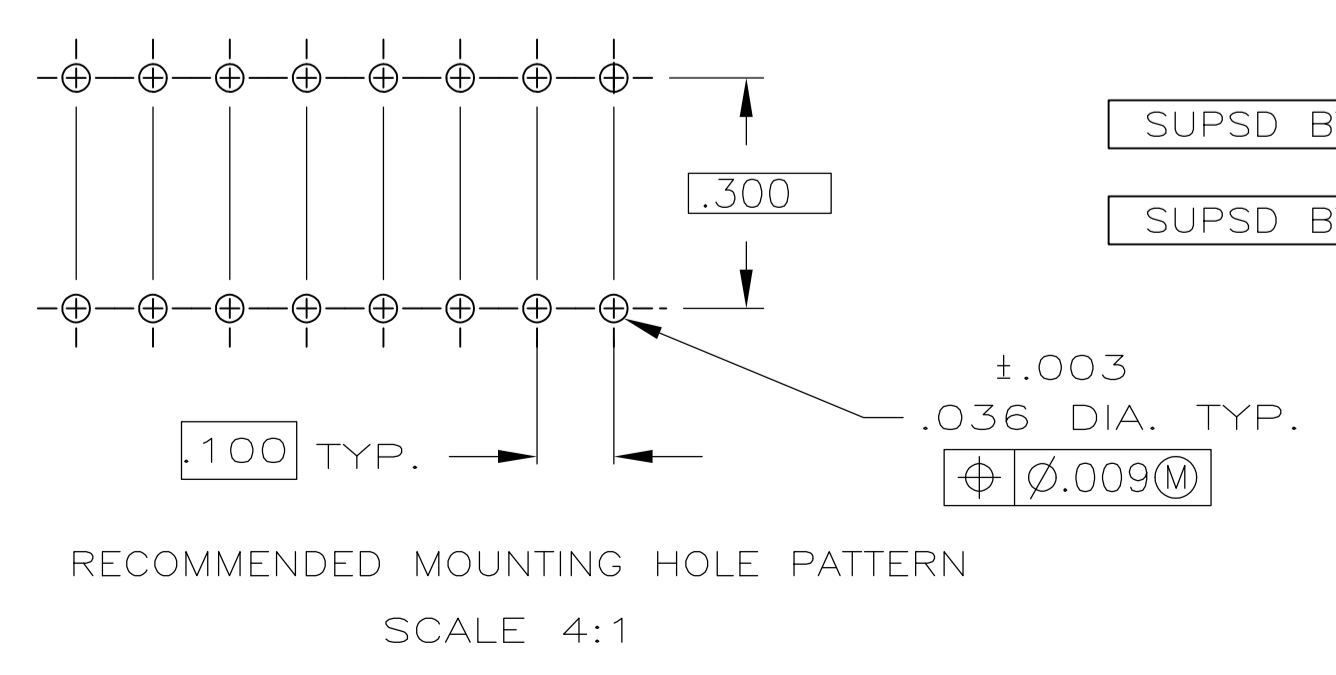
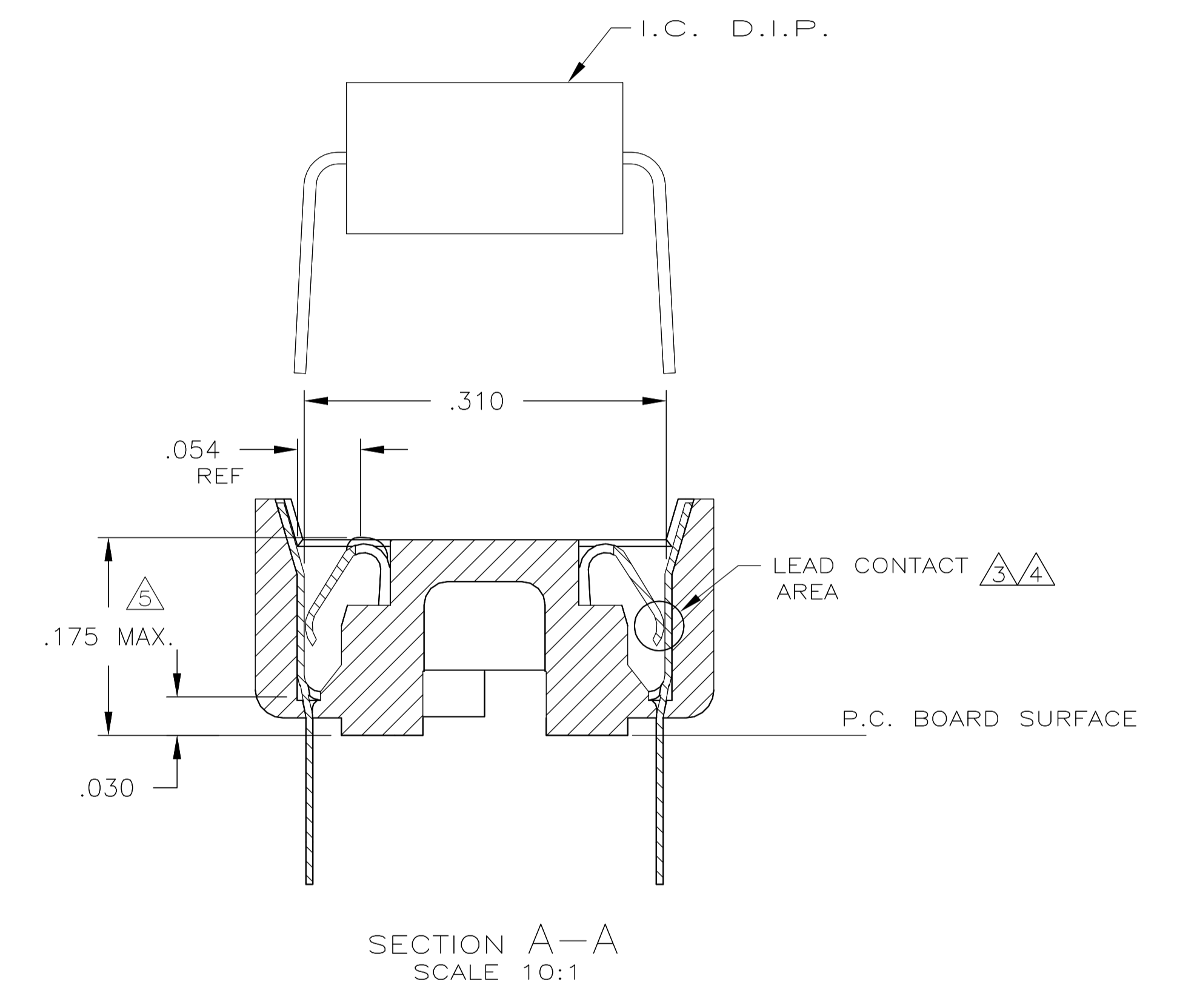
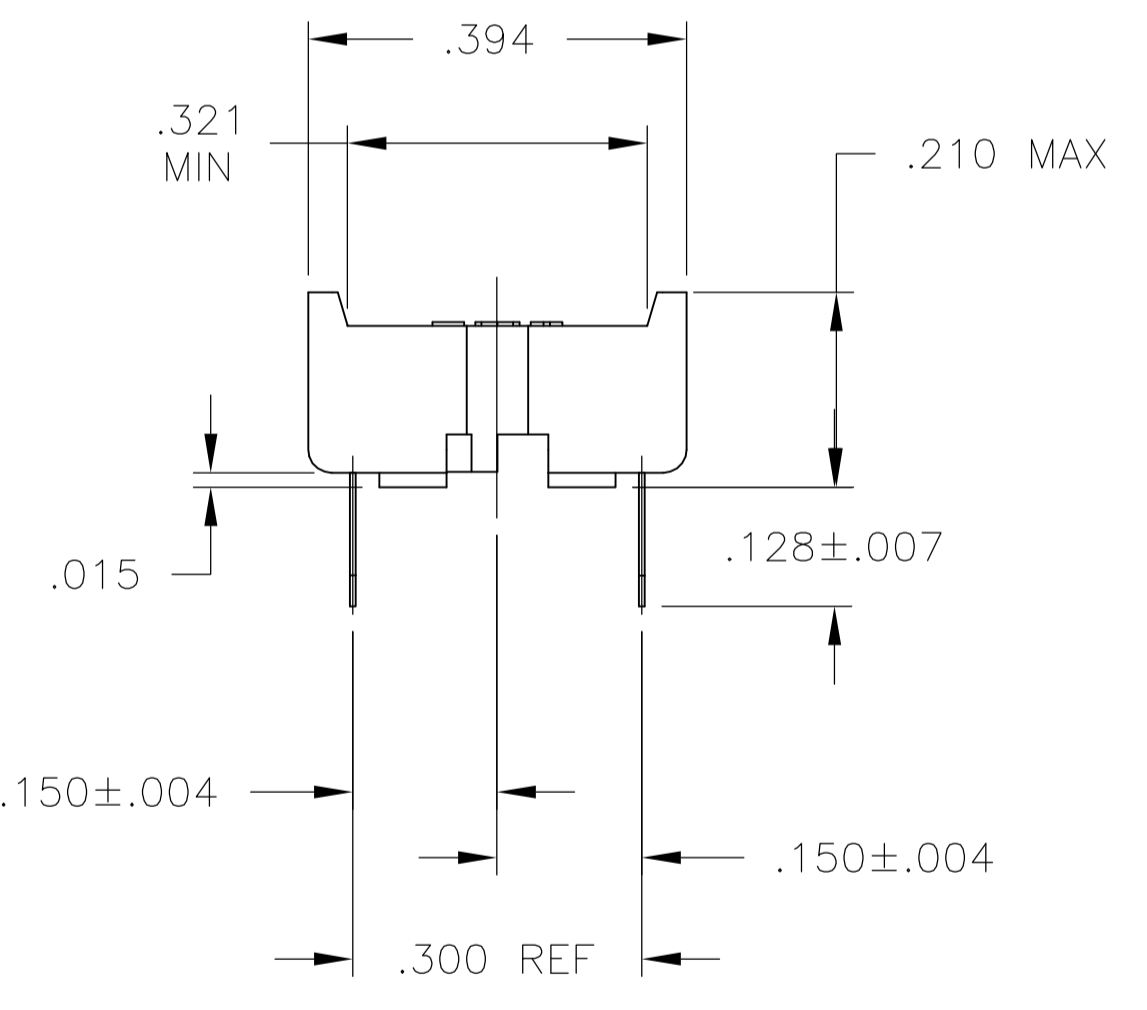
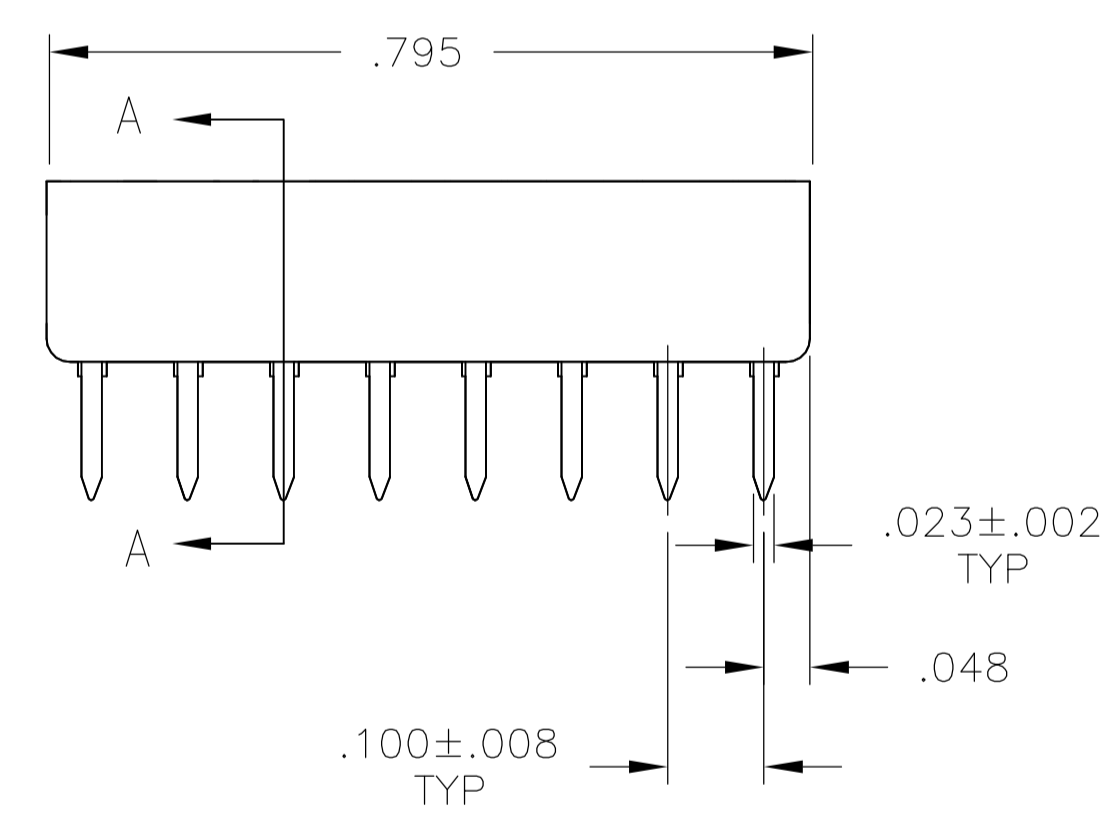
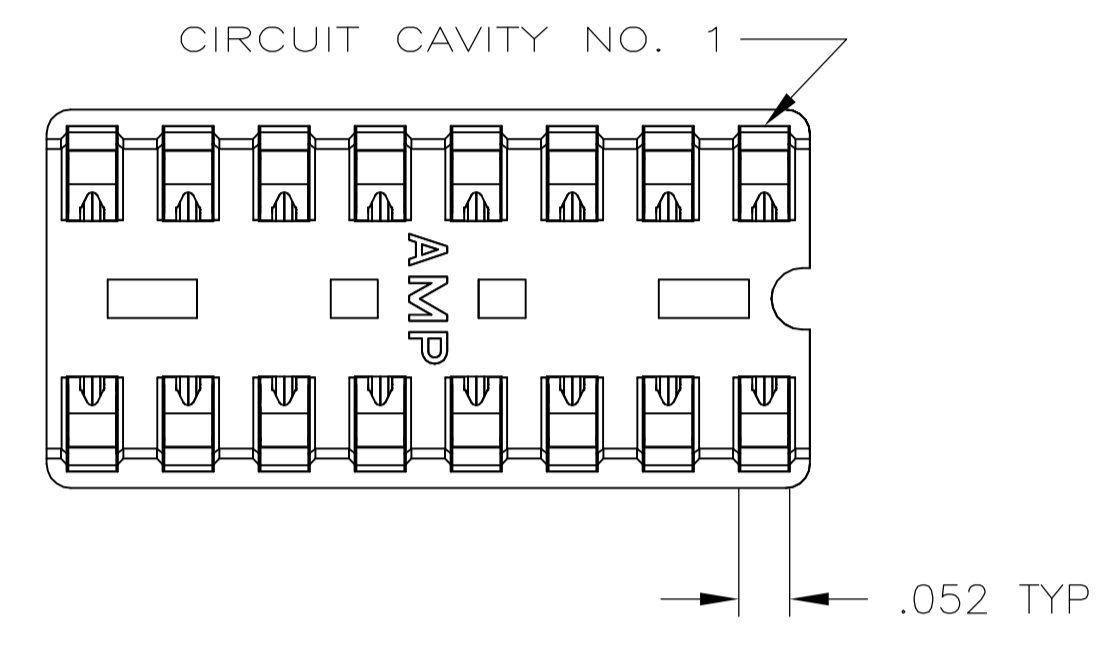


1. RECEPTACLE ACCEPTS A .008-.014 THICK I.C. LEAD.
2. TUBE LOADED FOR AUTOMATIC INSERTION.
3. TWO .000030 MIN THK. GOLD STRIPES IN CONTACT AREA WITH TIN-LEAD
4. TWO .000030 MIN THK. GOLD STRIPES IN CONTACT AREA WITH TIN-LEAD
5. TWO .000015 MIN THK. GOLD STRIPES IN CONTACT AREA WITH TIN-LEAD (93/7) ON CONTACT LEGS, BALANCE OF CONTACT NICKEL PLATED.
5. MAXIMUM DIMENSION FOR I.C. SEATING PLANE.



SUPSD BY 390261-4	TINNED	PHOS.BRZ. .006 THK	GLASS-FILLED THERMOPLASTIC, 94V-O, BLACK	2-640358-4
SUPSD BY 390261-4	TINNED	PHOS.BRZ. .006 THK	GLASS-FILLED THERMOPLASTIC, 94V-O, BLACK	2-640358-3
SUPSD BY 390261-4	TINNED	BE.CU. .006 THK	GLASS-FILLED THERMOPLASTIC, 94V-O, BLACK	2-640358-2
SUPSD BY 390261-4	TINNED	BE.CU. .006 THK	GLASS-FILLED THERMOPLASTIC, 94V-O, BLACK	2-640358-1
CONTACT FINISH		CONTACT MAT'L	HOUSING MATERIAL	PART NO.

THIS DRAWING IS A CONTROLLED DOCUMENT.

DIMENSIONS: INCHES	TOLERANCES UNLESS OTHERWISE SPECIFIED:	DIN R BROWN 21AUG00	DR H WYNKOOP 21AUG00	NAME
0 PLC ± -	1 PLC ± -	2 PLC ± -	3 PLC ± .005	4 PLC ANGLES ± -
MATERIAL SEE TABLE	FINISH SEE TABLE	WEIGHT	SIZE	CAGE CODE
			A1	00779
CUSTOMER DRAWING		SCALE 5:1	SHEET 1 OF 1	REV AB1

STE TE Connectivity

SOCKET ASSY, DIP, 16 POS, DIPLOMATE DL

108-1066

114-1049

640358